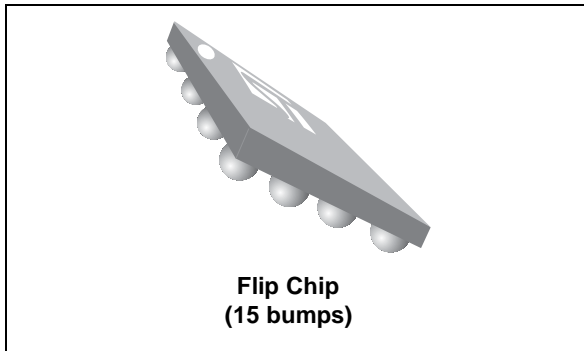


6-line low capacitance IPAD™ for micro-SD card with EMI filtering and ESD protection

Datasheet – production data



Features

- EMI low-pass filter
- ESD protection ± 8 kV (IEC 61000-4-2)
- Integrated pull up resistors to prevent bus floating when no card is connected
- 208 MHz clock frequency compatible with SDR104 mode (SD3.0)
- Lead-free package

Benefits

- Low power consumption
- Easy layout thanks to smart pin-out configuration
- Very low PCB space consumption
- High reliability offered by monolithic integration
- Reduction of parasitic elements thanks to CSP integration

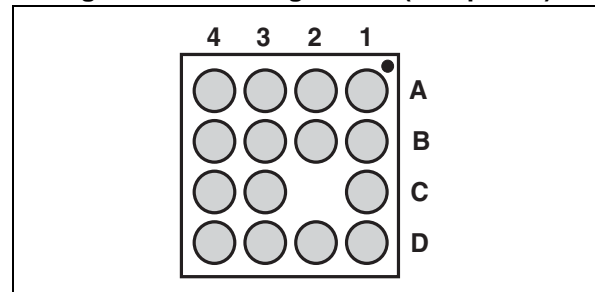
Complies with the following standards:

- IEC 61000-4-2 level 4:
 - ± 15 kV (air discharge)
 - ± 8 kV (contact discharge)

Description

The EMIF06-USD04F3 is a highly integrated device based on IPAD technology offering two functions: ESD protection to comply with IEC standard, and EMI filtering to reject mobile phone frequencies.

Figure 1. Pin configuration (bump side)



TM: IPAD is a trademark of STMicroelectronics

1 Characteristics

Table 1. Absolute maximum ratings ($T_{amb} = 25\text{ }^{\circ}\text{C}$)

Symbol	Parameter	Value	Unit		
V_{PP}	ESD discharge IEC 61000-4-2, level 4 (on pins V_{cc} , SDclk, SDcmd, SDdat0, SDdat1, SDdat2, SDdat3 Air discharge, external pins	15	kV		
	Contact discharge, external pins	8			
	ESD discharge IEC 61000-4-2, level 1 (on pins dat0, dat1, clk, cmd, dat3, dat2) Air discharge, internal pins	2			
	Contact discharge, internal pins	2			
	T_j	Maximum junction temperature		125	$^{\circ}\text{C}$
	T_{op}	Operating temperature range		- 30 to + 85	$^{\circ}\text{C}$
T_{stg}	Storage temperature range	- 55 to + 150	$^{\circ}\text{C}$		

Figure 2. EMIF06-USD04F3 Schematic

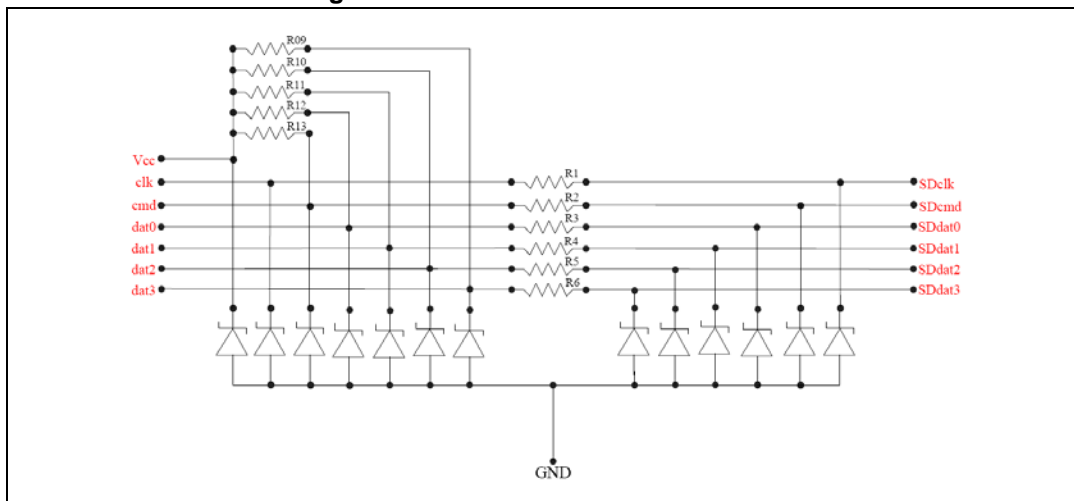


Table 2. Pin configuration

Pin	Signal	Pin	Signal
A1	dat0	C1	Cmd
A2	dat1		
A3	SDdat1	C3	GND
A4	SDdat0	C4	SDcmd
B1	clk	D1	dat3
B2	V_{cc}	D2	dat2
B3	GND	D3	SDdat2
B4	SDclk	D4	SDdat3

Table 3. Electrical characteristics (values, $T_{amb} = 25\text{ }^{\circ}\text{C}$)

Symbol	Parameter	Test conditions	Min.	Typ.	Max.	Unit
V_{BR}	Breakdown voltage	$I_R = 1\text{ mA}$	14		20	V
I_{RM}	Leakage current at V_{RM}	$V_{RM} = 3\text{ V}$			100	nA
R1, R2, R3, R4, R5, R6	Serial resistance	Tolerance $\pm 10\%$, matching $\pm 2\%$		40		Ω
R9, R10, R11, R12	Pull-up resistance	Tolerance $\pm 10\%$, matching $\pm 2\%$		50		k Ω
R13	Pull-up resistance on cmd	Tolerance $\pm 10\%$		15		k Ω
C_{line}	Data line capacitance	$V = 0\text{ V}$, $F = 10\text{ MHz}$, $V_{OSC} = 30\text{ mV}$		10	12	pF
		$V = 1.8\text{ V}$, $F = 10\text{ MHz}$, $V_{OSC} = 30\text{ mV}$		7.5	10	
		$V = 2.9\text{ V}$, $F = 10\text{ MHz}$, $V_{OSC} = 30\text{ mV}$			9	

Figure 3. Electrical characteristics (definitions)

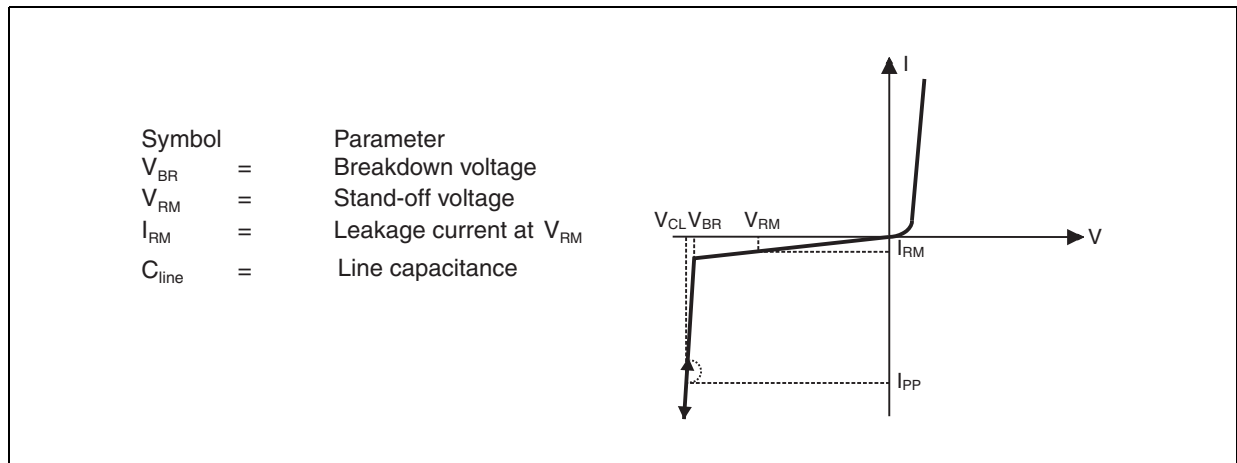


Figure 4. Attenuation versus frequency

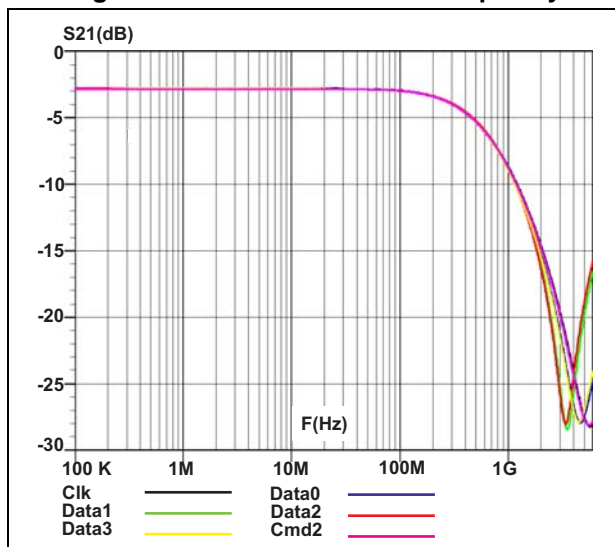


Figure 5. Analog crosstalk versus frequency

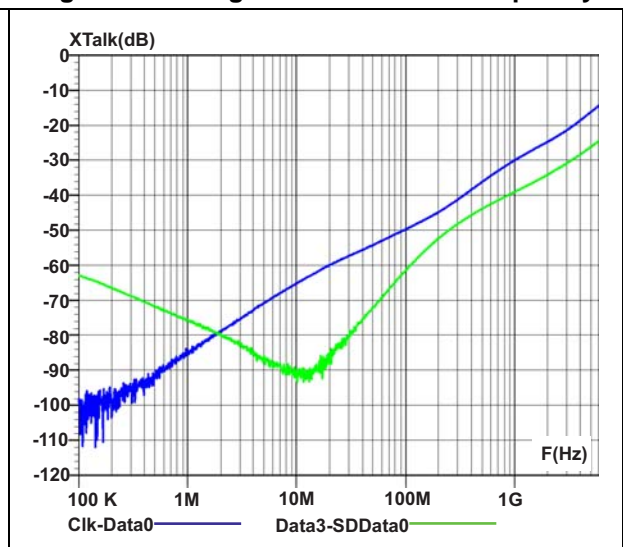


Figure 6. ESD response to IEC 61000-4-2 (+8 kV contact discharge)

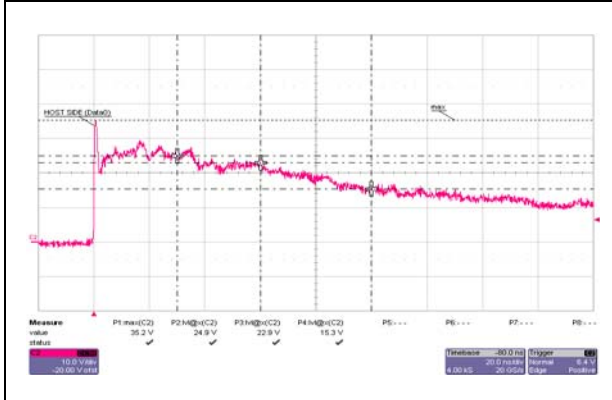


Figure 7. ESD response to IEC 61000-4-2 (-8 kV contact discharge)

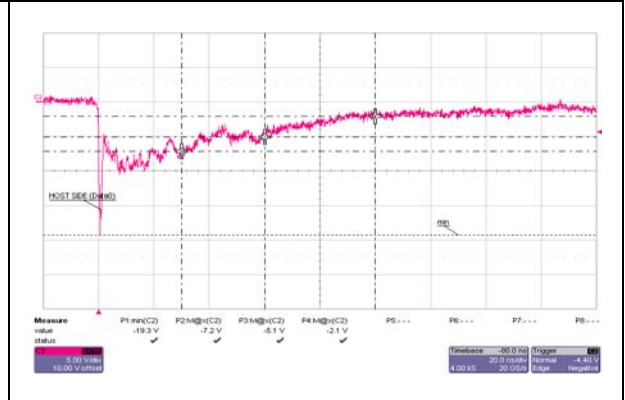
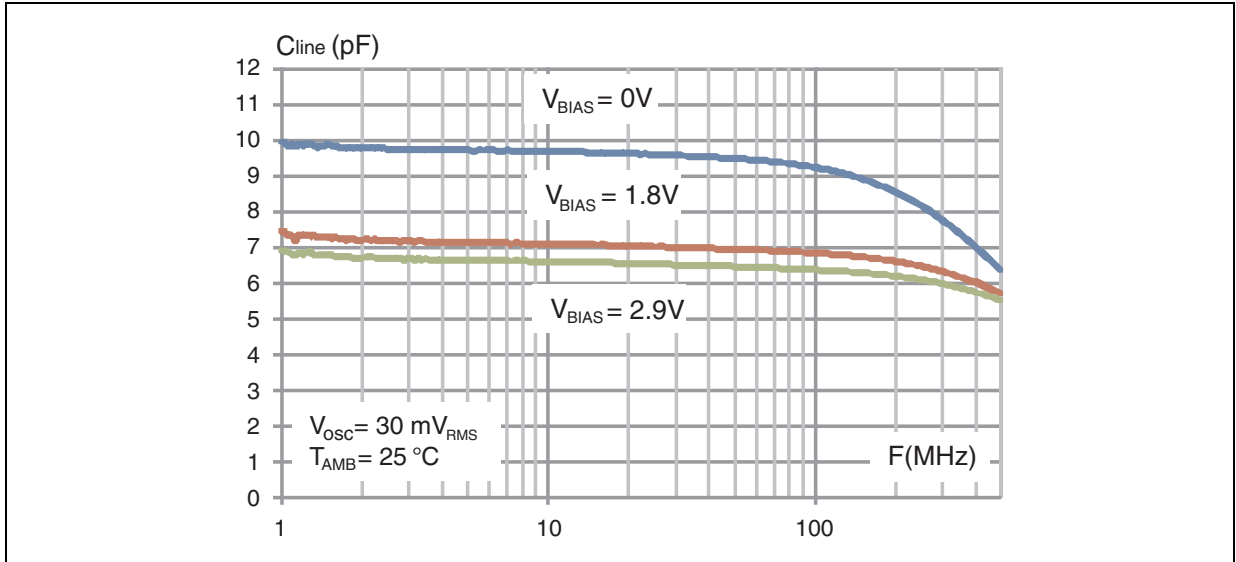


Figure 8. Line capacitance versus frequency and bias voltage (typical values)



2 Package information

- Epoxy meets UL94, V0
- Lead-free package

In order to meet environmental requirements, ST offers these devices in different grades of ECOPACK® packages, depending on their level of environmental compliance. ECOPACK® specifications, grade definitions and product status are available at: www.st.com. ECOPACK® is an ST trademark.

Figure 9. Package dimensions

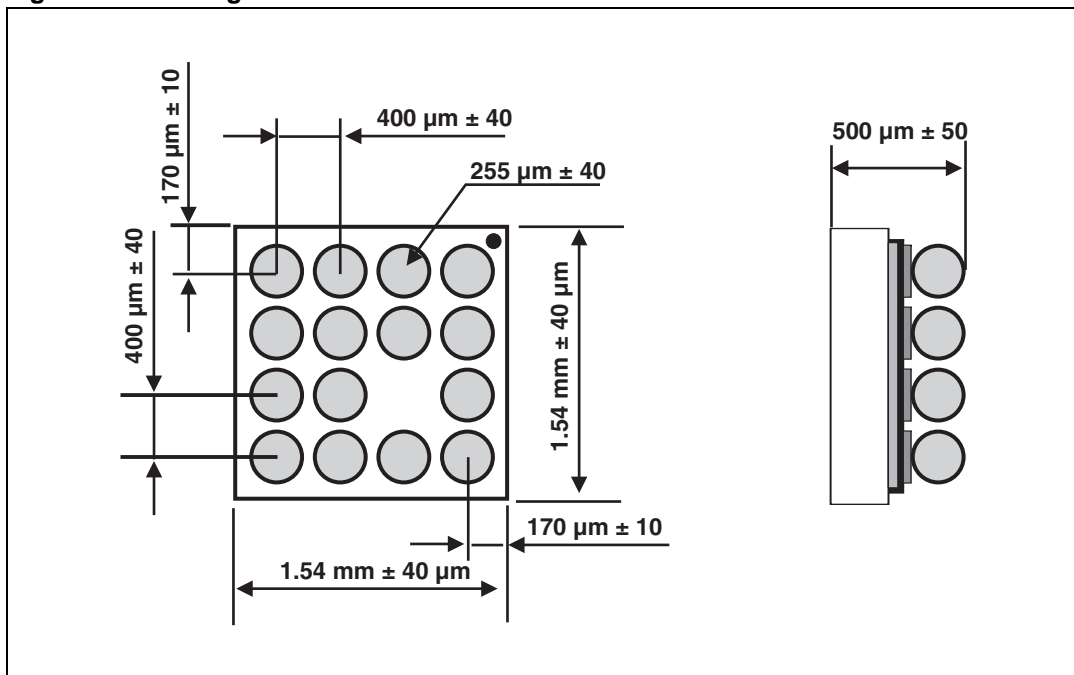


Figure 10. Footprint

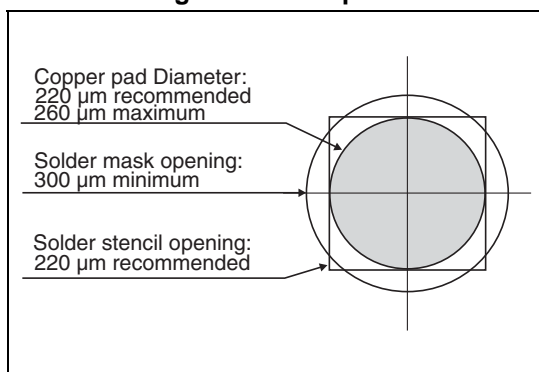


Figure 11. Marking

Dot, ST logo
 □ ECOPACK status
 xx = marking
 z = manufacturing location
 yww = datecode
 y = year,
 ww = week

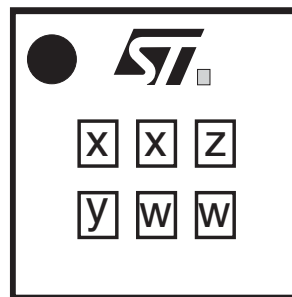
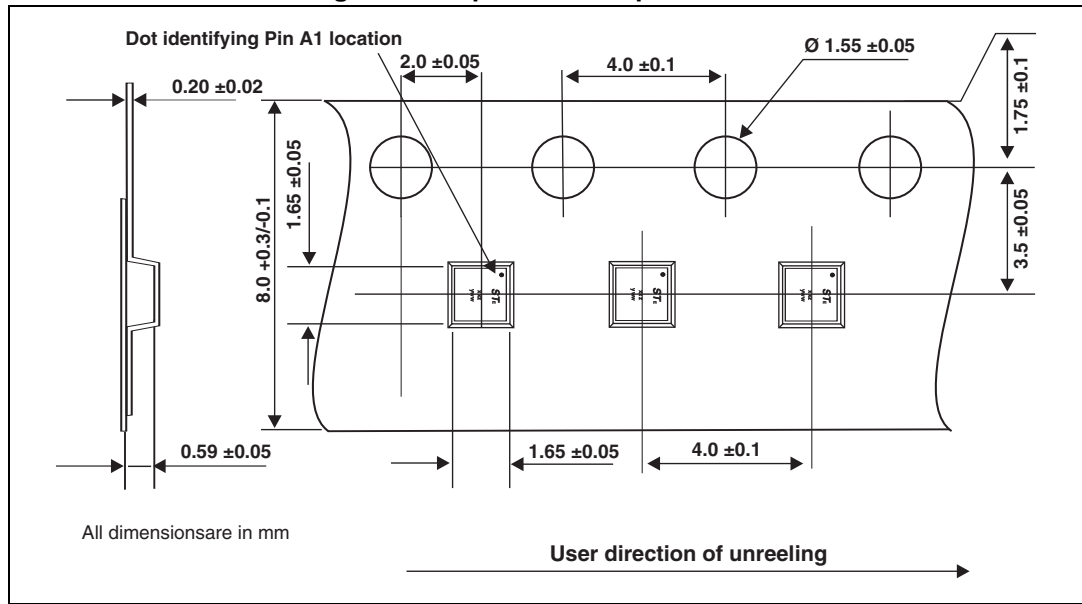


Figure 12. Tape and reel specification



3 Ordering information

Figure 13. Ordering information scheme

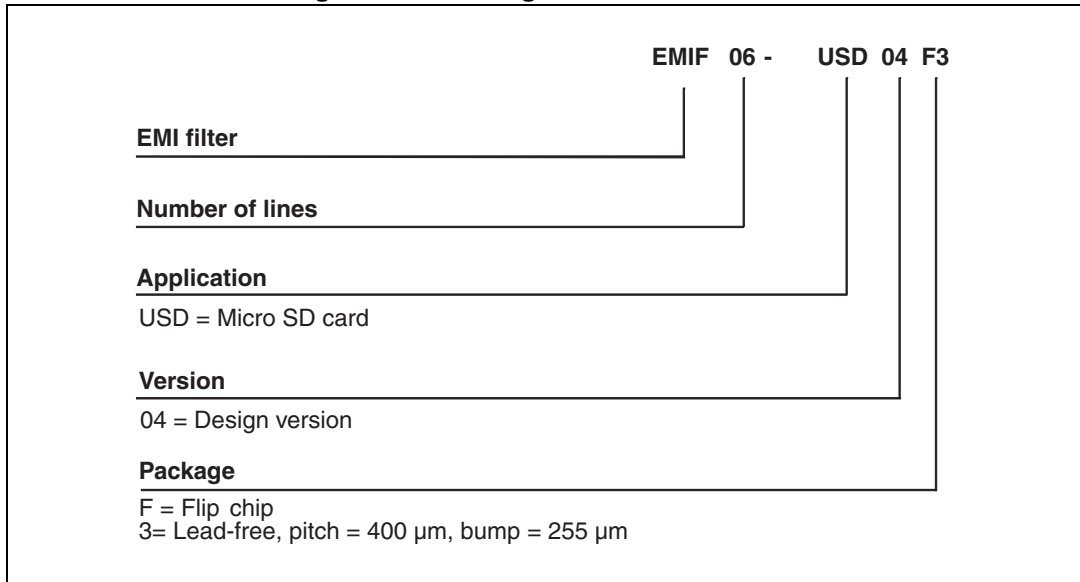


Table 4. Ordering information

Order code	Marking	Package	Weight	Base qty	Delivery mode
EMIF06-USD04F3	JZ	Flip Chip	2.6 mg	5000	Tape and reel 7"

Note: More information is available in the STmicroelectronics Application notes:
 AN2348: "Flip Chip: Package description and recommendations for use"
 AN1751: "EMI Filters: Recommendations and measurements"

4 Revision history

Table 5. Document revision history

Date	Revision	Changes
09-May-2012	1	First issue.
27-Jun-2012	2	Added tolerances in Figure 12 .
30-Jun-2014	3	Updated Figure 4 , Figure 5 and breakdown voltage value in Table 3 .

Please Read Carefully:

Information in this document is provided solely in connection with ST products. STMicroelectronics NV and its subsidiaries ("ST") reserve the right to make changes, corrections, modifications or improvements, to this document, and the products and services described herein at any time, without notice.

All ST products are sold pursuant to ST's terms and conditions of sale.

Purchasers are solely responsible for the choice, selection and use of the ST products and services described herein, and ST assumes no liability whatsoever relating to the choice, selection or use of the ST products and services described herein.

No license, express or implied, by estoppel or otherwise, to any intellectual property rights is granted under this document. If any part of this document refers to any third party products or services it shall not be deemed a license grant by ST for the use of such third party products or services, or any intellectual property contained therein or considered as a warranty covering the use in any manner whatsoever of such third party products or services or any intellectual property contained therein.

UNLESS OTHERWISE SET FORTH IN ST'S TERMS AND CONDITIONS OF SALE ST DISCLAIMS ANY EXPRESS OR IMPLIED WARRANTY WITH RESPECT TO THE USE AND/OR SALE OF ST PRODUCTS INCLUDING WITHOUT LIMITATION IMPLIED WARRANTIES OF MERCHANTABILITY, FITNESS FOR A PARTICULAR PURPOSE (AND THEIR EQUIVALENTS UNDER THE LAWS OF ANY JURISDICTION), OR INFRINGEMENT OF ANY PATENT, COPYRIGHT OR OTHER INTELLECTUAL PROPERTY RIGHT.

ST PRODUCTS ARE NOT DESIGNED OR AUTHORIZED FOR USE IN: (A) SAFETY CRITICAL APPLICATIONS SUCH AS LIFE SUPPORTING, ACTIVE IMPLANTED DEVICES OR SYSTEMS WITH PRODUCT FUNCTIONAL SAFETY REQUIREMENTS; (B) AERONAUTIC APPLICATIONS; (C) AUTOMOTIVE APPLICATIONS OR ENVIRONMENTS, AND/OR (D) AEROSPACE APPLICATIONS OR ENVIRONMENTS. WHERE ST PRODUCTS ARE NOT DESIGNED FOR SUCH USE, THE PURCHASER SHALL USE PRODUCTS AT PURCHASER'S SOLE RISK, EVEN IF ST HAS BEEN INFORMED IN WRITING OF SUCH USAGE, UNLESS A PRODUCT IS EXPRESSLY DESIGNATED BY ST AS BEING INTENDED FOR "AUTOMOTIVE, AUTOMOTIVE SAFETY OR MEDICAL" INDUSTRY DOMAINS ACCORDING TO ST PRODUCT DESIGN SPECIFICATIONS. PRODUCTS FORMALLY ESCC, QML OR JAN QUALIFIED ARE DEEMED SUITABLE FOR USE IN AEROSPACE BY THE CORRESPONDING GOVERNMENTAL AGENCY.

Resale of ST products with provisions different from the statements and/or technical features set forth in this document shall immediately void any warranty granted by ST for the ST product or service described herein and shall not create or extend in any manner whatsoever, any liability of ST.

ST and the ST logo are trademarks or registered trademarks of ST in various countries.

Information in this document supersedes and replaces all information previously supplied.

The ST logo is a registered trademark of STMicroelectronics. All other names are the property of their respective owners.

© 2014 STMicroelectronics - All rights reserved

STMicroelectronics group of companies

Australia - Belgium - Brazil - Canada - China - Czech Republic - Finland - France - Germany - Hong Kong - India - Israel - Italy - Japan - Malaysia - Malta - Morocco - Philippines - Singapore - Spain - Sweden - Switzerland - United Kingdom - United States of America

www.st.com