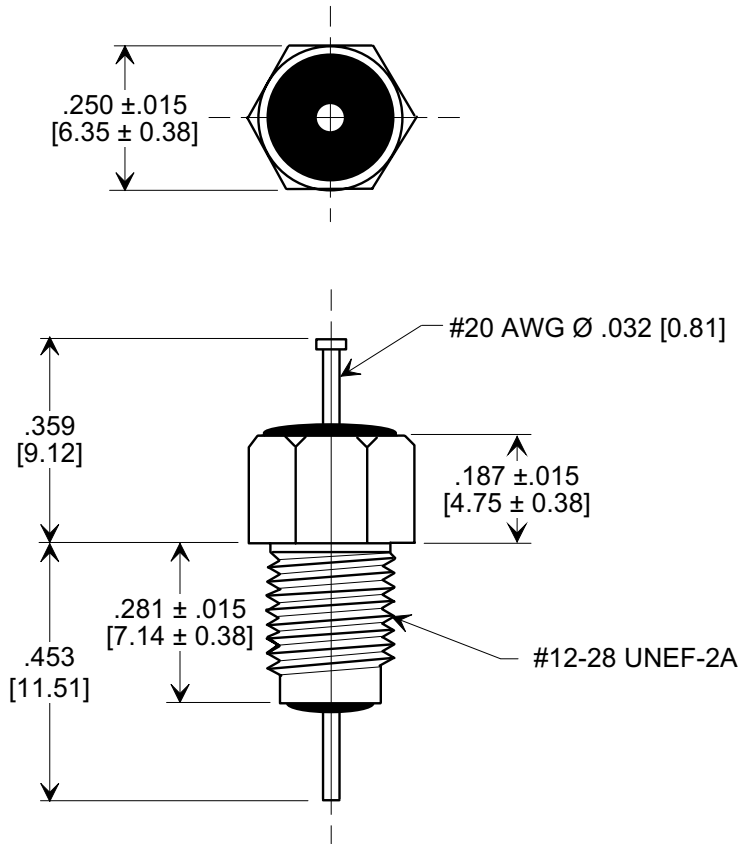
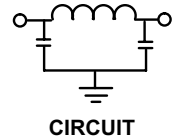
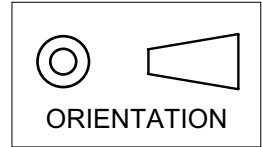


MARKETING SALES DRAWING

DIMENSIONS IN INCHES - DO NOT SCALE THIS DRAWING
DIMENSIONS IN METRIC - []

This drawing is the property of Tusonix, Inc., and may not be used, reproduced, published or disclosed to others without expressed authorization by Tusonix Inc.

Electrical Testing per Tusonix standard test plans and Mil-Std-202 Test Methods.



NOTES:

- TUSONIX STANDARD PART NUMBER: 4204-001.
 TUSONIX RoHS COMPLIANT PART NUMBER: 4204-001 LF.
 CUSTOMER MUST SPECIFY STANDARD OR RoHS PART NUMBER WHEN ORDERING.
- LEAD FINISH: STANDARD PART #: 60/40 SOLDER PLATED COPPER. RoHS PART #: SILVER PLATED COPPER.
- PART MARKING: TRADEMARK AND VARIATION NUMBER ON HEX FLATS.
 STANDARD PART: BLACK INK. RoHS PART: GREEN INK.
- SUPPLIED WITH SILVER PLATED COPPER ALLOY HEX NUT AND INTERNAL TOOTH LOCK WASHER.

MIN. CAP. (pF)	WORKING VOLTAGE (VDC)		CURRENT (Idc)	I.R. MIN. @ 100 (VDC)	DWV (VDC)	MINIMUM NO LOAD INSERTION LOSS (dB) AT 25°C PER MIL-STD -220			
	85°C	125°C				10 MHz	100 MHz	1 GHz	10 GHz
1500	350	200	10 A	10 G Ω	700	5	45	70	70

X-2015 Rev-0 REVISION RECORD Original Release C.O. 2898 RDN TO COMP FMT & ADDED METRIC. 02-12-02 20020522-6-06 ADDED NOTES, IR & DWV. S.M. 02-02-06 20060109-2-03	0	--TOLERANCES-- Unless Otherwise Specified DECIMAL ± .031 [0.79] ANGLES ±	Title BUSHING STYLE EMI FILTER	
	1		Drawn S.M. 05-22-02 Scale 3 X	
	2		Approved J.Mc. 05-22-02	
	TUSONIX TUCSON, ARIZONA		A	4204-001