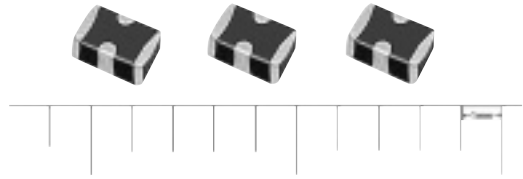


Coil type EMI Filters (DNF)

Japan

Type: **ELKD** (2012 size)



The most economical EMI Filter (DNF) with our 2012(0805")size SMD type designed to provide EMI suppression for PC board signal lines and for high speed input/output circuitry.

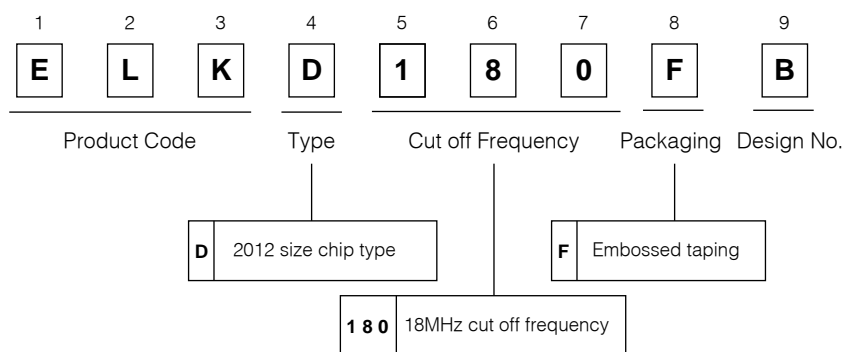
■ Features

- Little distortion of pulse signal
- Good noise reduction
- Small size, applicable for automatic mounting and reflow soldering.

■ Recommended Applications

- Signal line, I/O line for Digital AV equipment, Personal Computer, and Communication equipment.

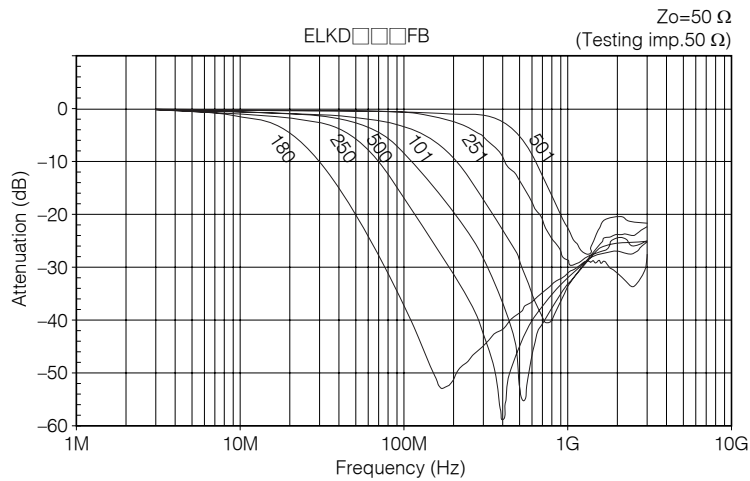
■ Explanation of Part Numbers



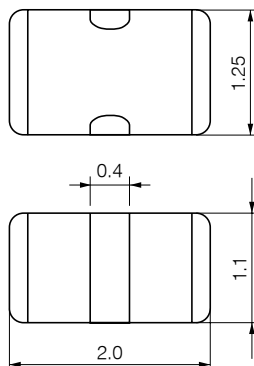
Standard Products

Cut off frequency	Part No.	Voltage	Current
18MHz	ELKD180FB	10 V max.	0.1 A max.
25	ELKD250FB		
50	ELKD500FB		
100	ELKD101FB		
250	ELKD251FB		
500	ELKD501FB		

Performance Characteristics



Dimensions in mm (not to scale)



Recommended Land Pattern in mm (not to scale)

