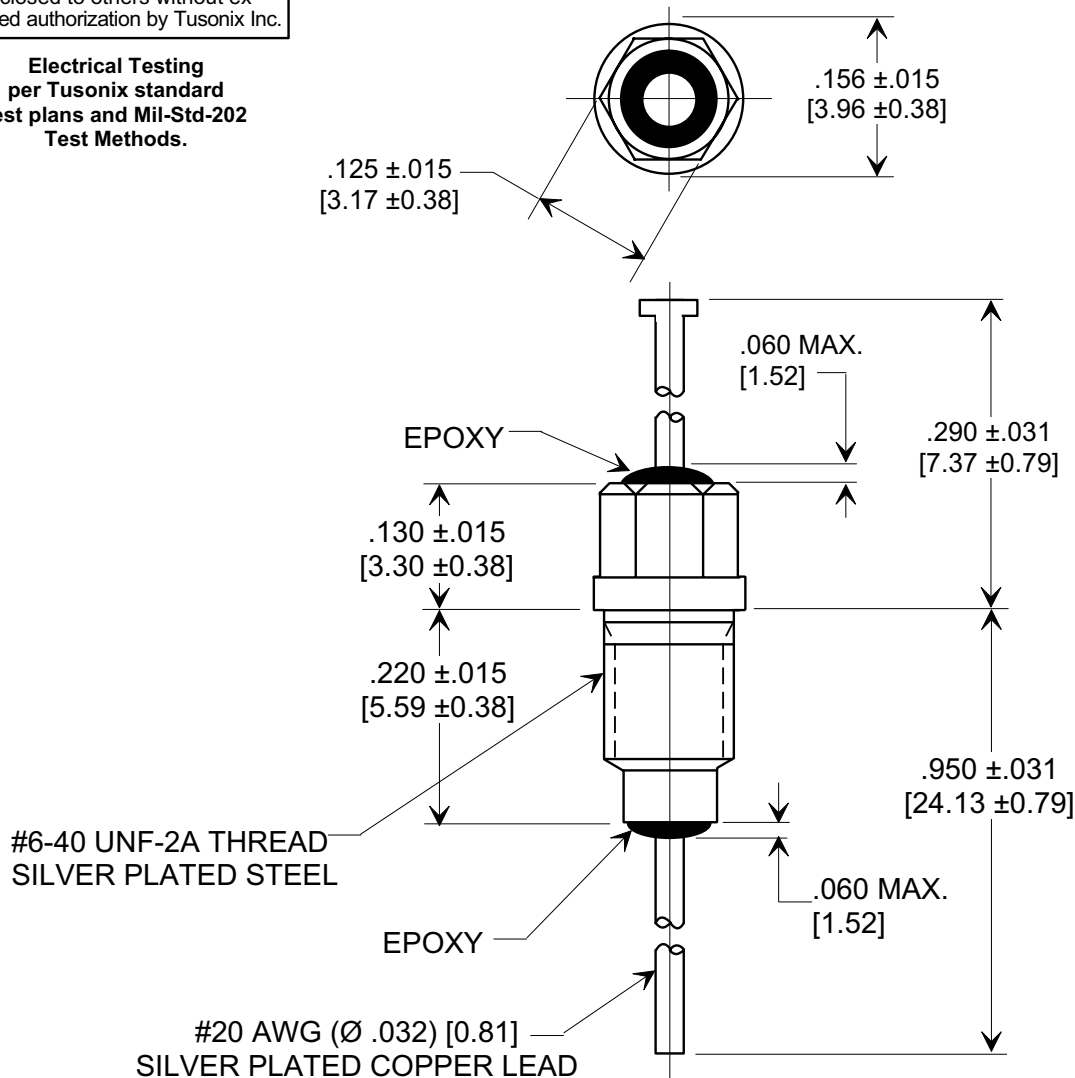
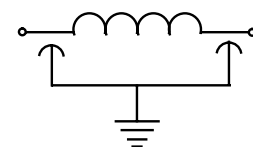
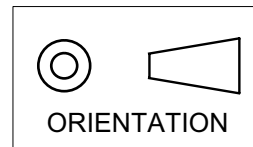


MARKETING SALES DRAWING

DIMENSIONS IN INCHES - DO NOT SCALE THIS DRAWING
DIMENSIONS IN METRIC - []

This drawing is the property of Tusonix, Inc., and may not be used, reproduced, published or disclosed to others without expressed authorization by Tusonix Inc.

Electrical Testing
per Tusonix standard
test plans and Mil-Std-202
Test Methods.



NOTES:

- TUSONIX STANDARD PART NUMBER: 4200-005.
 TUSONIX RoHS COMPLIANT PART NUMBER: 4200-005 LF.
 CUSTOMER MUST SPECIFY STANDARD OR RoHS PART NUMBER WHEN ORDERING.
- LEAD FINISH: SILVER PLATED.
- PART MARKING: TRADEMARK AND VARIATION NUMBER ON HEX FLATS.
 STANDARD PART: BLACK INK. RoHS PART: GREEN INK.
- SUPPLIED WITH SILVER PLATED COPPER HEX NUT AND INTERNAL TOOTH LOCK WASHER.

MIN. CAP.	WORKING VOLTAGE		I.R. MIN. @ 100 (VDC.)	DWV (VDC)	CURRENT V.D.C.	MINIMUM NO LOAD INSERTION LOSS (dB) AT 25°C PER MIL-STD-220			
	85°C	125°C				10MHz	100MHz	1GHz	10GHz
3000 pF	300 VDC	200 VDC	10 G Ω	900	10A	8	50	70	70

X-2015 Rev-0	REVISION RECORD	Original Release	0	REVISED BUSHING TO NEW SIMPLIFIED DWG. SM 03-08-06	20060303-2-03	TUSONIX TUCSON, ARIZONA	--TOLERANCES-- Unless Otherwise Specified		Title	
		C.O. 20000718-3-01	1				DECIMAL ± .031 [0.79]	BUSHING STYLE EMI FILTER		
		ADDED NOTES 1-3, DWV & IR. S.M. 11-10-05	2				ANGLES ±			Drawn L.E. 07-18-00
		20051027-1-11	1				Approved H.R. 07-18-00		A	4200-005