

RI 4195

110/230 VAC

FEEDTHRU FILTER

Panel mountable
AC power
feedthru filter



OVERVIEW

The RI 4195 is a feedthru filter for all types of applications where AC power needs to be fed through a shielded wall.

APPLICATION

Primarily designed to fit in Ranatec's RI 187 Shield Boxes but can be used separately.

ELECTRICAL INTERFACES

The physical connectors are located at each end.

MECHANICAL INTERFACES

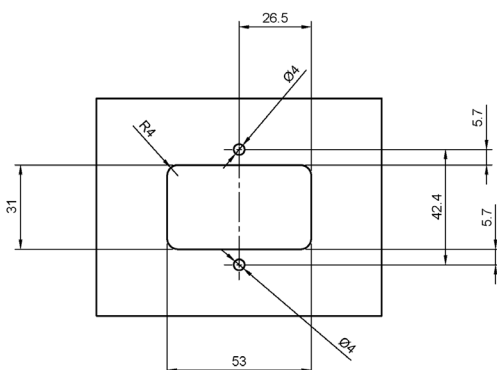
The RI 4195 is prepared for panel mounting with two threaded M4 screw holes. It is delivered with an EMI/RFI shielding gasket for simple and reliable mounting.

FEATURES

- 110/230 VAC compatible
- 6 A max
- 70 dB filter suppression at 1.0-10 GHz
- Panel mountable

SPECIFICATION

Connector input:	C14 male
Connector output:	C13 female
Material:	Aluminium
Dimensions:	65x90x48 mm
Weight:	375 g
Operating voltage	110/230 VAC
Rated current	6 A
CE compliant	RoHS / safety



Panel cut-out recommendation (mm)

ORDERING

RI 4195 110/230 VAC Feedthru Filter