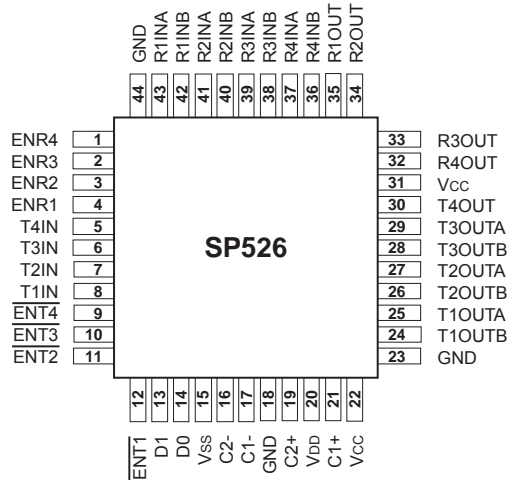


WAN Multi-Mode Serial Transceiver

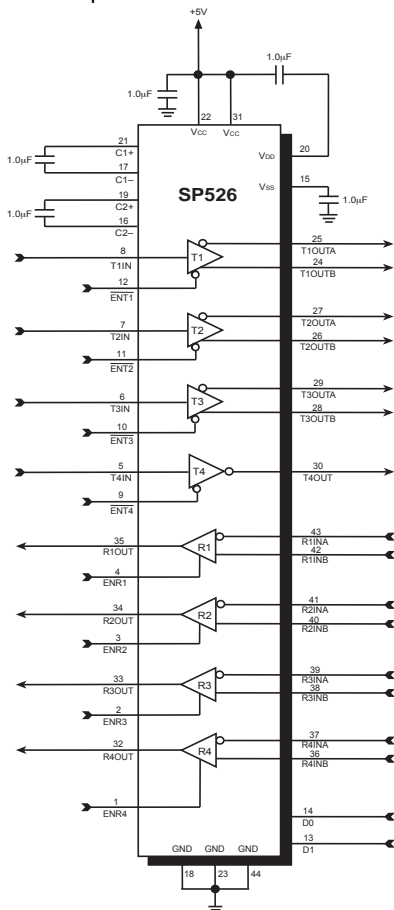
- Low-Cost Programmable Serial Transceiver
- Four (4) Drivers and Four (4) Receivers
- Driver and Receiver Tri-state Control
- Software Selectable Protocol Selection
- Interface Modes:
 - ✓ RS-232 (V.28)
 - ✓ RS-422 (V.11, X.21)
 - ✓ EIA-530 or RS-449 (V.10, V.11)
- Designed to Meet All NET1/2 Compliancy Requirements
- High ESD Tolerance
 - ✓ ±15kV per Human Body Model
 - ✓ ±15kV per IEC1000-4-2 Air Discharge
 - ✓ ±8kV per IEC1000-4-2 Contact Discharge



Now Available in Lead Free Packaging

DESCRIPTION

The **SP526** is a monolithic device that supports three (3) physical layer serial interface standards. The **SP526** is fabricated using a low power BiCMOS process technology, and incorporates four (4) drivers and four (4) receivers can be configured via software for the selected interface modes at any time. The **SP526** includes tri-state ability for the driver and receiver outputs through separate enable lines. A shutdown mode is also included through the mode select pins for power savings. When mated with the **SP322** V.11/V.35 Programmable Transceiver, the **SP526** provides the four (4) channels needed for handshaking/control lines such as CTS, RTS, etc. The two transceiver ICs are an ideal solution for WAN serial ports in networking equipment such as routers, DSU/CSU's, and other access devices.



ABSOLUTE MAXIMUM RATINGS

These are stress ratings only and functional operation of the device at these ratings or any other above those indicated in the operation sections of the specifications below is not implied. Exposure to absolute maximum rating conditions for extended periods of time may affect reliability.

V_{CC}+7V

Input Voltages:

Logic.....-0.3V to ($V_{CC} + 0.5V$)

Drivers.....-0.3V to ($V_{CC} + 0.5V$)

Receivers..... $\pm 15.5V$

Output Voltages:

Logic.....-0.3V to ($V_{CC} + 0.5V$)

Drivers..... $\pm 15V$

Receivers.....-0.3V to ($V_{CC} + 0.5V$)

Storage Temperature.....-65°C to +150°C

Power Dissipation

(derate 14.3mW/°C above 70°C).....1144mW

STORAGE CONSIDERATIONS

Due to the relatively large package size of the 44-pin quad flat-pack, storage in a low humidity environment is preferred. Large high density plastic packages are moisture sensitive and should be stored in Dry Vapor Barrier Bags. Prior to usage, the parts should remain bagged and stored below 40°C and 60%RH. If the parts are removed from the bag, they should be used within 48 hours or stored in an environment at or below 20%RH. If the above conditions cannot be followed, the parts should be baked for four hours at 125°C in order to remove moisture prior to soldering. Sipex ships the 44-pin QFP in Dry Vapor Barrier Bags with a humidity indicator card and desiccant pack. The humidity indicator should be below 30%RH.

ELECTRICAL CHARACTERISTICS

$T_A = +25^\circ C$ and $V_{CC} = +4.75V$ to $+5.25V$ unless otherwise noted.

PARAMETER	MIN.	TYP.	MAX.	UNITS	CONDITIONS
LOGIC INPUTS					
V_{IL}			0.8	Volts	
V_{IH}	2.0			Volts	
LOGIC OUTPUTS					
V_{OL}			0.4	Volts	$I_{OUT} = -3.2mA$
V_{OH}	2.4			Volts	$I_{OUT} = 1.0mA$
V.28 DRIVER					
DC Parameters					
Outputs					
Open Circuit Voltage			± 15	Volts	per Figure 1
Loaded Voltage	± 5.0		± 15	Volts	per Figure 2
Short-Circuit Current			± 100	mA	per Figure 4
Power-Off Impedance	300			Ω	per Figure 5
AC Parameters					$V_{CC} = +5V$ for AC parameters
Outputs					
Transition Time			1.5	μs	per Figure 6; +3V to -3V
Instantaneous Slew Rate			30	V/ μs	per Figure 3
Propagation Delay					
t_{PHL}	0.5	1	5	μs	
t_{PLH}	0.5	1	5	μs	
Max. Transmission Rate	120	230		kbps	
V.28 RECEIVER					
DC Parameters					
Inputs					
Input Impedance	3		7	k Ω	per Figure 7
Open-Circuit Bias			+2.0	Volts	per Figure 8
HIGH Threshold		1.7	3.0	Volts	
LOW Threshold	0.8	1.2		Volts	
AC Parameters					$V_{CC} = +5V$ for AC parameters
Propagation Delay					
t_{PHL}	50	100	500	ns	
t_{PLH}	50	100	500	ns	

ELECTRICAL CHARACTERISTICS

T_A = +25°C and V_{CC} = +4.75V to +5.25V unless otherwise noted.

PARAMETER	MIN.	TYP.	MAX.	UNITS	CONDITIONS
V.28 RECEIVER (continued)					
AC Parameters (cont.)					
Max. Transmission Rate	120	230		kbps	
V.10 DRIVER					
DC Parameters					
Outputs					
Open Circuit Voltage	±4.0		±6.0	Volts	per Figure 9
Test-Terminated Voltage	0.9V _{OC}			Volts	per Figure 10
Short-Circuit Current			±150	mA	per Figure 11
Power-Off Current			±100	µA	per Figure 12
AC Parameters					
Outputs					
Transition Time			200	ns	per Figure 10; 10% to 90%
Propagation Delay					
t _{PHL}	50	100	500	ns	
t _{PLH}	50	100	500	ns	
Max. Transmission Rate	120			kbps	
V.11 DRIVER					
DC Parameters					
Outputs					
Open Circuit Voltage			±5.0	Volts	per Figure 14
Test Terminated Voltage	±2.0			Volts	per Figure 15
	0.5V _{OC}		0.67V _{OC}	Volts	
Balance			±0.4	Volts	per Figure 15
Offset			+3.0	Volts	per Figure 15
Short-Circuit Current			±150	mA	per Figure 16
Power-Off Current			±100	µA	per Figure 17
AC Parameters					
Outputs					
Transition Time			25	ns	per Figures 19 and 24; 10% to 90%
Propagation Delay					Using R _L = 100Ω and C _L = 50pF;
t _{PHL}	50	80	115	ns	per Figures 21 and 24
t _{PLH}	50	80	115	ns	per Figures 21 and 24
Differential Skew		20	40	ns	per Figures 21 and 24,
					t _{SKEW} = t _{DPLH} - t _{DPHL}
Max. Transmission Rate	10			Mbps	
V.11 RECEIVER					
DC Parameters					
Inputs					
Common Mode Range	-7		+7	Volts	
Sensitivity			±0.38	Volts	

ELECTRICAL CHARACTERISTICS

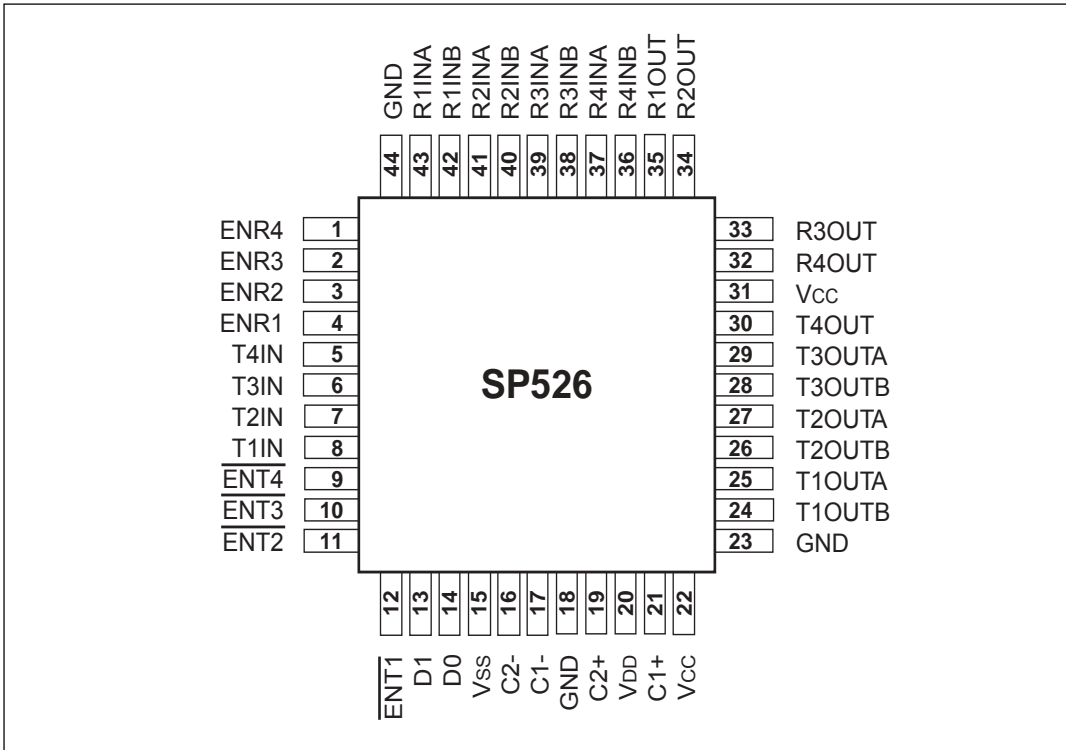
$T_A = +25^\circ\text{C}$ and $V_{CC} = +4.75\text{V}$ to $+5.25\text{V}$ unless otherwise noted.

PARAMETER	MIN.	TYP.	MAX.	UNITS	CONDITIONS
V.11 RECEIVER (continued)					
DC Parameters (cont.)					
Input Current	-3.25		+3.25	mA	per Figure 18 and 20
Input Impedance	4			k Ω	
AC Parameters					
Propagation Delay					$V_{CC} = +5\text{V}$ for AC parameters Using $R_L = 100\Omega$ and $C_L = 50\text{pF}$; per Figure 21 and 26 per Figure 21 and 26 per Figure 21, $t_{\text{SKEW}} = t_{\text{PLH}} - t_{\text{PHL}} $
t_{PHL}	80	110	160	ns	
t_{PLH}	80	110	160	ns	
Differential Skew		20		ns	
Max. Transmission Rate	10			Mbps	
POWER REQUIREMENTS					
V_{CC}	4.75	5.00	5.25	Volts	All I_{CC} values are with $V_{CC} = +5\text{V}$ $f_{\text{IN}} = 120\text{kbps}$; Drivers active & loaded. $f_{\text{IN}} = 2.1\text{Mbps}$; Drivers active & loaded. $f_{\text{IN}} = 1.0\text{Mbps}$; Drivers active & loaded. $D0 = D1 = 0\text{V}$, refer to <i>Table 1</i>
I_{CC}					
(V.28/RS-232)		35	45	mA	
(V.11/RS-422)		130	150	mA	
(EIA-530/RS-449) (Shutdown)		105 4	130	mA μA	
ENVIRONMENTAL AND MECHANICAL					
Operating Temperature Range	0		+70	$^\circ\text{C}$	
Storage Temperature Range	-65		+150	$^\circ\text{C}$	

OTHER AC CHARACTERISTICS

$T_A = +25^\circ\text{C}$ and $V_{CC} = +5.0\text{V}$ unless otherwise noted.

PARAMETER	MIN.	TYP.	MAX.	UNITS	CONDITIONS
DRIVER DELAY TIME BETWEEN ACTIVE MODE AND TRI-STATE MODE					
RS-232/V.28 DRIVERS					
t_{PZL} ; Tri-state to Output LOW		0.70	5.0	μs	$C_L = 100\text{pF}$, Fig. 22 & 28; S_1 closed
t_{PZH} ; Tri-state to Output HIGH		0.40	2.0	μs	$C_L = 100\text{pF}$, Fig. 22 & 28; S_2 closed
t_{PLZ} ; Output LOW to Tri-state		0.20	2.0	μs	$C_L = 100\text{pF}$, Fig. 22 & 28; S_1 closed
t_{PHZ} ; Output HIGH to Tri-state		0.40	2.0	μs	$C_L = 100\text{pF}$, Fig. 22 & 28; S_2 closed
RS-423/V.10 DRIVERS					
t_{PZL} ; Tri-state to Output LOW		0.15	2.0	μs	$C_L = 100\text{pF}$, Fig. 22 & 28; S_1 closed
t_{PZH} ; Tri-state to Output HIGH		0.20	2.0	μs	$C_L = 100\text{pF}$, Fig. 22 & 28; S_2 closed
t_{PLZ} ; Output LOW to Tri-state		0.20	2.0	μs	$C_L = 100\text{pF}$, Fig. 22 & 28; S_1 closed
t_{PHZ} ; Output HIGH to Tri-state		0.15	2.0	μs	$C_L = 100\text{pF}$, Fig. 22 & 28; S_2 closed
RS-422/V.11 DRIVERS					
t_{PZL} ; Tri-state to Output LOW		2.80	10.0	μs	$C_L = 100\text{pF}$, Fig. 22 & 25; S_1 closed
t_{PZH} ; Tri-state to Output HIGH		0.10	2.0	μs	$C_L = 100\text{pF}$, Fig. 22 & 25; S_2 closed
t_{PLZ} ; Output LOW to Tri-state		0.10	2.0	μs	$C_L = 15\text{pF}$, Fig. 22 & 25; S_1 closed
t_{PHZ} ; Output HIGH to Tri-state		0.10	2.0	μs	$C_L = 15\text{pF}$, Fig. 22 & 25; S_2 closed
RECEIVER DELAY TIME BETWEEN ACTIVE MODE AND TRI-STATE MODE					
RS-232/V.28 RECEIVERS					
t_{PZL} ; Tri-state to Output LOW		0.12	2.0	μs	$C_L = 100\text{pF}$, Fig. 23 & 27; S_1 closed
t_{PZH} ; Tri-state to Output HIGH		0.10	2.0	μs	$C_L = 100\text{pF}$, Fig. 23 & 27; S_2 closed
t_{PLZ} ; Output LOW to Tri-state		0.10	2.0	μs	$C_L = 100\text{pF}$, Fig. 23 & 27; S_1 closed
t_{PHZ} ; Output HIGH to Tri-state		0.10	2.0	μs	$C_L = 100\text{pF}$, Fig. 23 & 27; S_2 closed
RS-422/V.11 RECEIVERS					
t_{PZL} ; Tri-state to Output LOW		0.10	2.0	μs	$C_L = 100\text{pF}$, Fig. 23 & 27; S_1 closed
t_{PZH} ; Tri-state to Output HIGH		0.10	2.0	μs	$C_L = 100\text{pF}$, Fig. 23 & 27; S_2 closed
t_{PLZ} ; Output LOW to Tri-state		0.10	2.0	μs	$C_L = 15\text{pF}$, Fig. 23 & 27; S_1 closed
t_{PHZ} ; Output HIGH to Tri-state		0.10	2.0	μs	$C_L = 15\text{pF}$, Fig. 23 & 27; S_2 closed



PIN DESCRIPTION

Pin 1 — ENR4 — Enables receiver 4; active high; TTL input.

Pin 2 — ENR3 — Enables receiver 3; active high; TTL input.

Pin 3 — ENR2 — Enables receiver 2; active high; TTL input.

Pin 4 — ENR1 — Enables receiver 1; active high; TTL input.

Pin 5 — T4IN — TTL input; transmit data source for DRA4 and DRB4 outputs.

Pin 6 — T3IN — TTL input; transmit data source for DRA3 and DRB3 outputs.

Pin 7 — T2IN — TTL input; transmit data source for DRA2 and DRB2 outputs.

Pin 8 — T1IN — TTL input; transmit data source for DRA1 and DRB1 outputs.

Pins 9 — $\overline{\text{ENT4}}$ — Enables driver 4, active low; TTL input.

Pins 10 — $\overline{\text{ENT3}}$ — Enables driver 3, active low; TTL input.

Pins 11 — $\overline{\text{ENT2}}$ — Enables driver 2, active low; TTL input.

Pins 12 — $\overline{\text{ENT1}}$ — Enables driver 1, active low; TTL input.

Pins 13 — D1 — Transmitter and receiver decode register; configures transmitter and receiver modes; TTL inputs.

Pin 14 — D0 — Transmitter and receiver decode register; configures transmitter and receiver modes; TTL inputs.

Pin 15 — V_{SS} — -10V Charge Pump Capacitor — Connects from ground to V_{SS} . Suggested capacitor size is 1.0 μ F, 16V.

Pin 16 — C_2^- — Charge Pump Capacitor — Connects from C_2^+ to C_2^- . Suggested capacitor size is 1.0 μ F, 16V.

Pin 17 — C_1^- — Charge Pump Capacitor — Connects from C_1^+ to C_1^- . Suggested capacitor size is 1.0 μ F, 16V.

Pin 18 — GND — Ground.

Pin 19 — C_2^+ — Charge Pump Capacitor — Connects from C_2^+ to C_2^- . Suggested capacitor size is 1.0 μ F, 16V.

Pin 20 — V_{DD} — +10V Charge Pump Capacitor — Connects from V_{DD} to V_{CC} . Suggested capacitor size is 1.0 μ F, 16V.

Pin 21 — C_1^+ — Charge Pump Capacitor — Connects from C_1^+ to C_1^- . Suggested capacitor size is 1.0 μ F, 16V.

Pin 22 — V_{CC} — +5V input.

Pin 23 — GND — Ground.

Pin 24 — T1OUTB — Analog Out — Send data, non-inverted; sourced from TIN1.

Pin 25 — T1OUTA — Analog Out — Send data, inverted; sourced from TIN1.

Pin 26 — T2OUTB — Analog Out — Send data, non-inverted; sourced from TIN2.

Pin 27 — T2OUTA — Analog Out — Send data, inverted; sourced from TIN2.

Pin 28 — T3OUTB — Analog Out — Send data, non-inverted; sourced from TIN3.

Pin 29 — T3OUTA — Analog Out — Send data, inverted; sourced from TIN3.

Pin 30 — T4OUT — Analog Out — Send data, inverted; sourced from TIN4.

Pin 31 — V_{CC} — +5V input.

Pin 32 — R4OUT — TTL output; sourced from RINA4 and RINB4 inputs.

Pin 33 — R3OUT — TTL output; sourced from RINA3 and RINB3 inputs.

Pin 34 — R2OUT — TTL output; sourced from RINA2 and RINB2 inputs.

Pin 35 — R1OUT — TTL output; sourced from RINA1 and RINB1 inputs.

Pin 36 — R4INB — Non-inverted analog input to receiver 4.

Pin 37 — R4INA — Inverted analog input to receiver 4.

Pin 38 — R3INB — Non-inverted analog input to receiver 3.

Pin 39 — R3INA — Inverted analog input to receiver 3.

Pin 40 — R2INB — Non-inverted analog input to receiver 2.

Pin 41 — R2INA — Inverted analog input to receiver 2.

Pin 42 — R1INB — Non-inverted analog input to receiver 1.

Pin 43 — R1INA — Inverted analog input to receiver 1.

Pin 44 — GND — Ground.

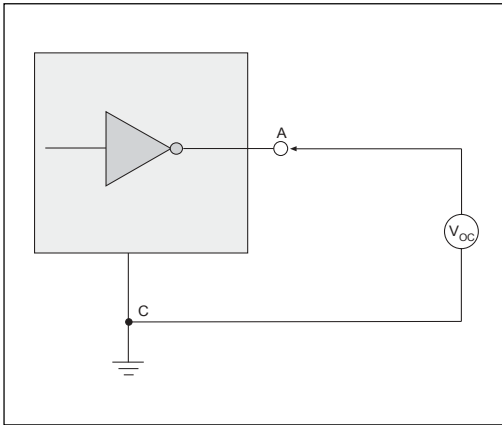


Figure 1. V.28 Driver Output Open Circuit Voltage

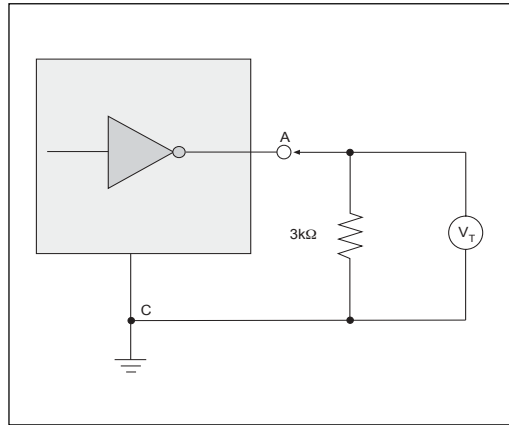


Figure 2. V.28 Driver Output Loaded Voltage

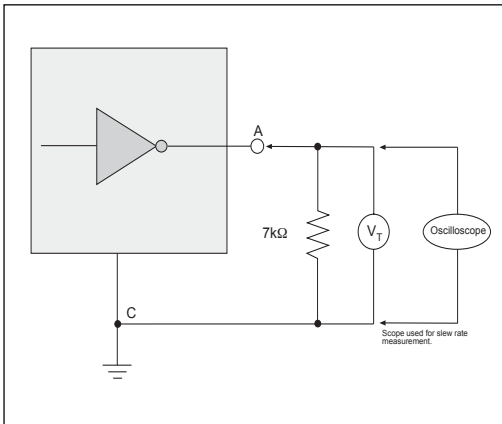


Figure 3. V.28 Driver Output Slew Rate

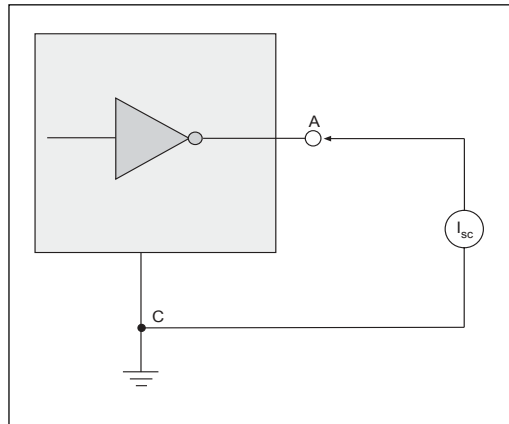


Figure 4. V.28 Driver Output Short-Circuit Current

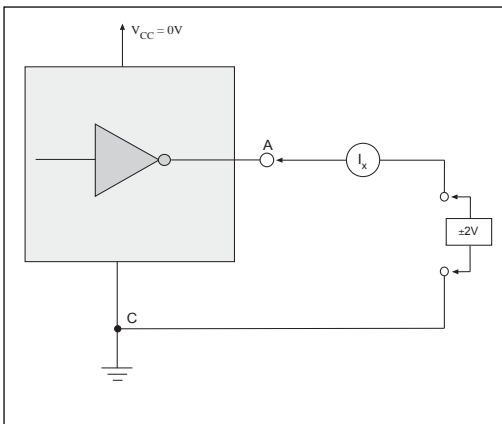


Figure 5. V.28 Driver Output Power-Off Impedance

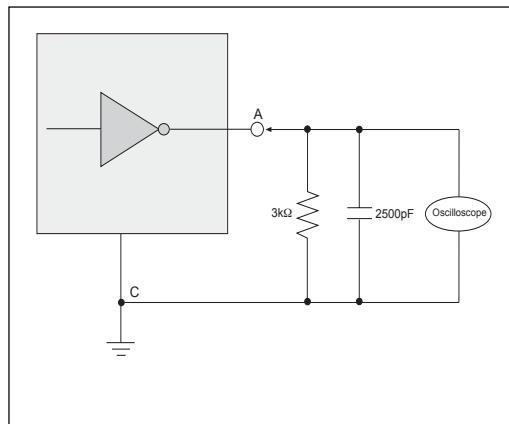


Figure 6. Driver Output Rise/Fall Times

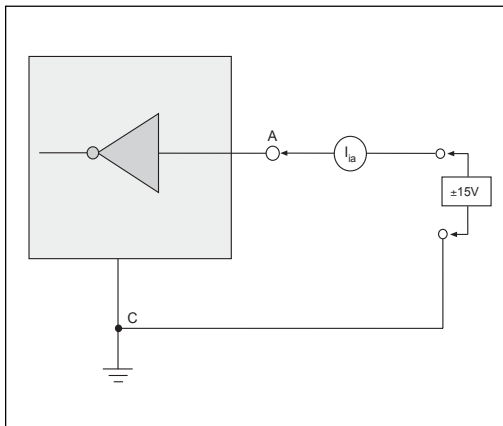


Figure 7. V.28 Receiver Input Impedance

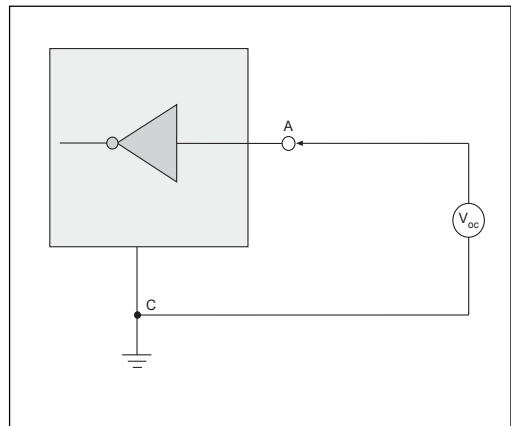


Figure 8. V.28 Receiver Input Open Circuit Bias

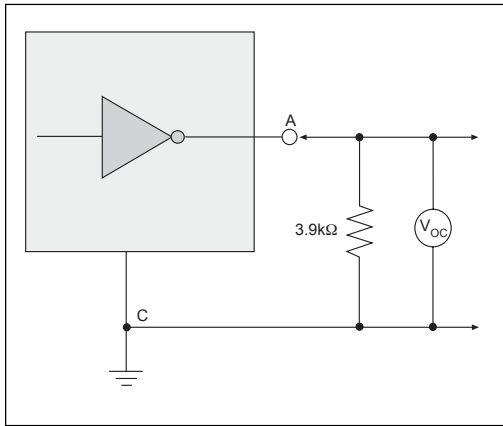


Figure 9. V.10 Driver Output Open-Circuit Voltage

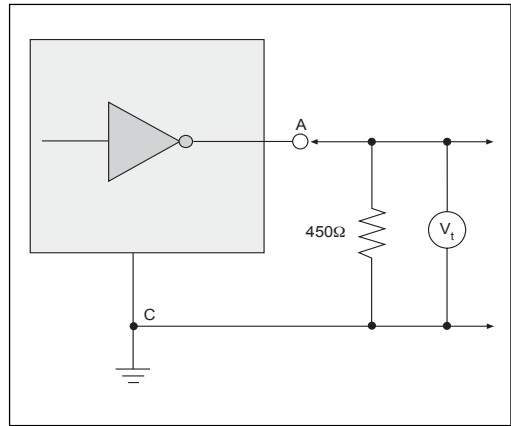


Figure 10. V.10 Driver Output Test Terminated Voltage

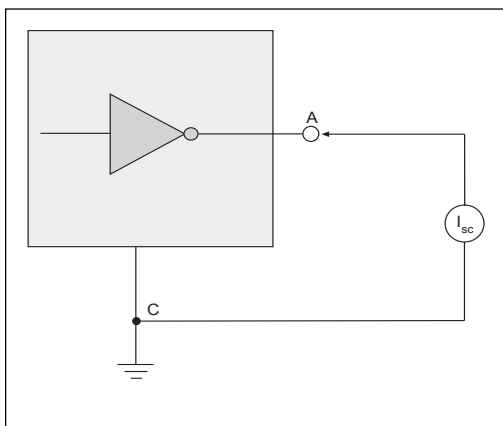


Figure 11. V.10 Driver Output Short-Circuit Current

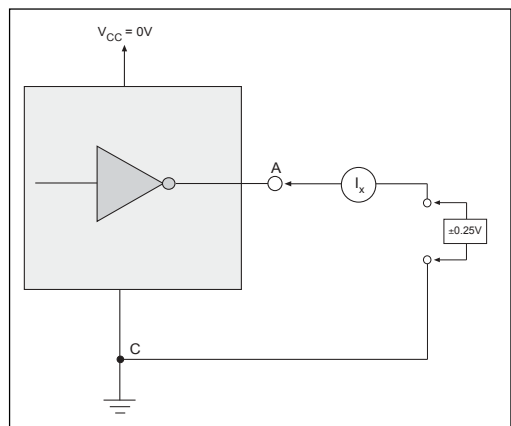


Figure 12. V.10 Driver Output Power-Off Current

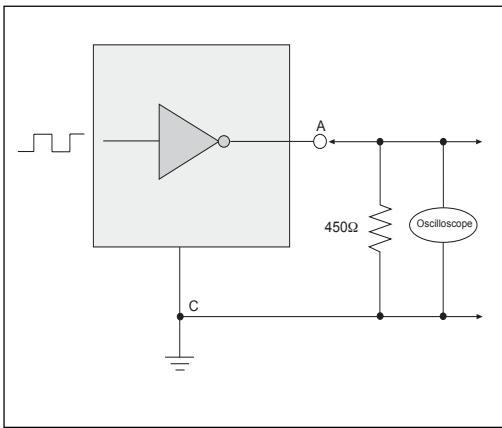


Figure 13. V.10 Driver Output Transition Time

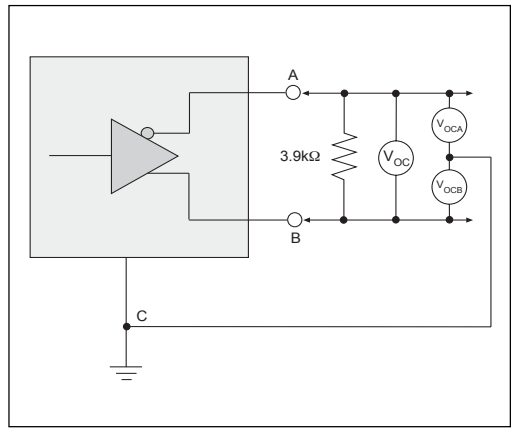


Figure 14. V.11 Driver Output Open-Circuit Voltage

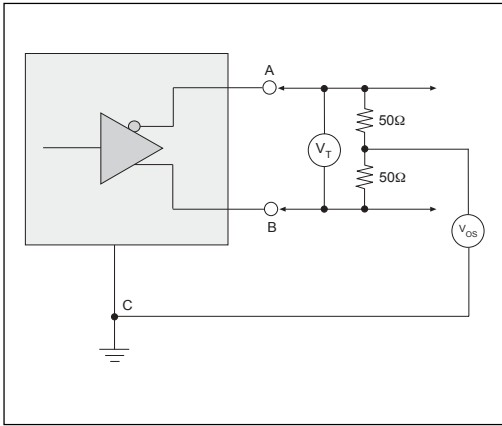


Figure 15. V.11 Driver Output Test Terminated Voltage

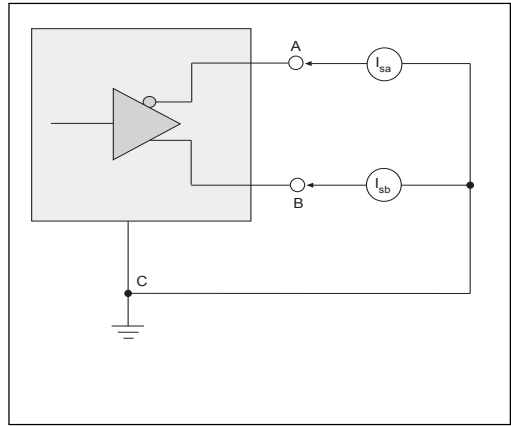


Figure 16. V.11 Driver Output Short-Circuit Current

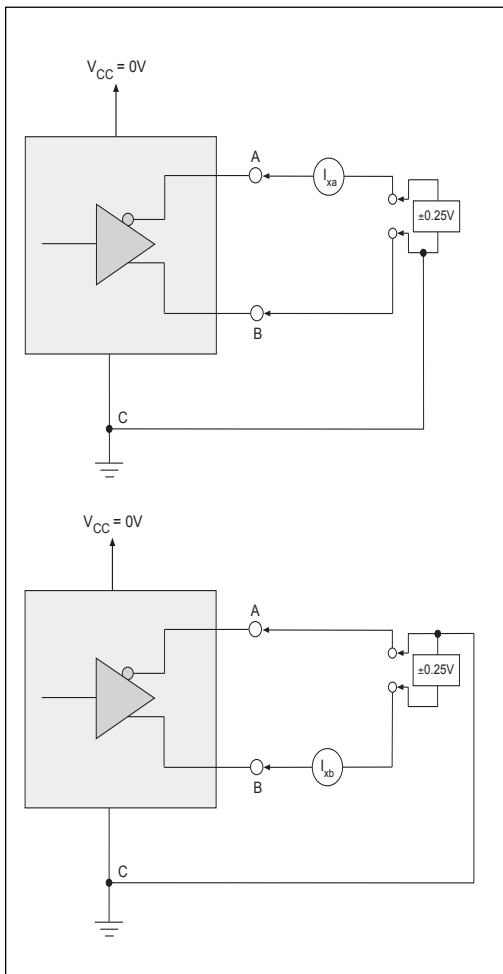


Figure 17. V.11 Driver Output Power-Off Current

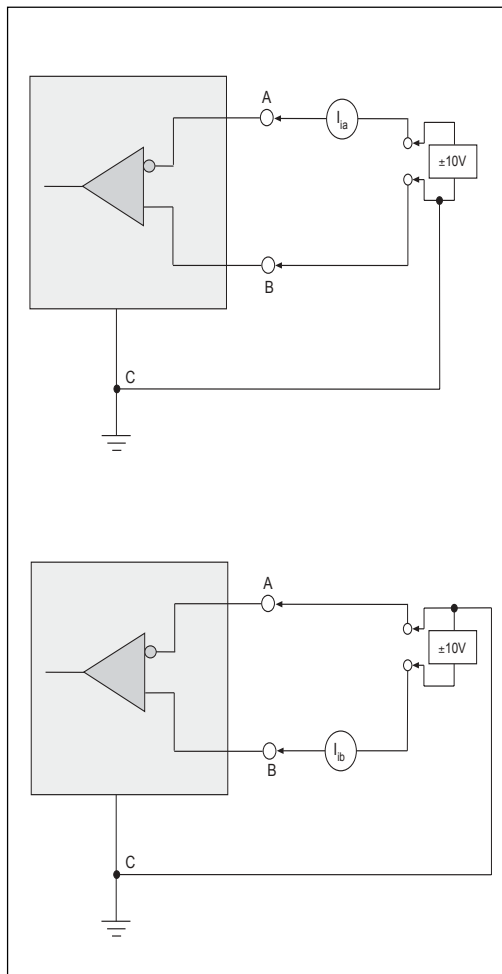


Figure 18. V.11 Receiver Input Current

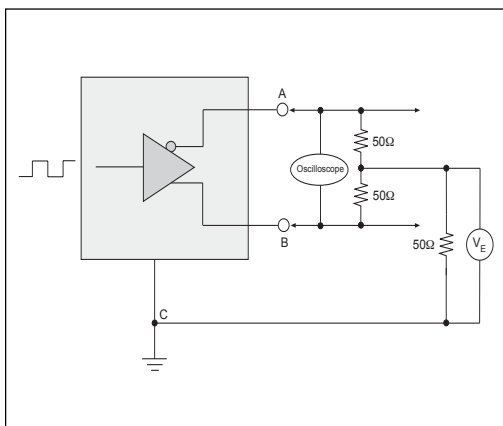


Figure 19. V.11 Driver Output Rise/Fall Time

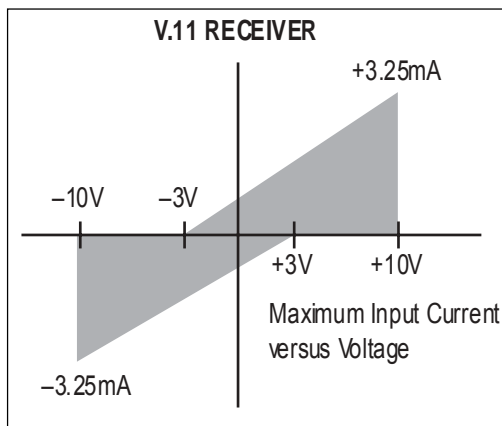


Figure 20. V.11 Receiver Input IV Graph

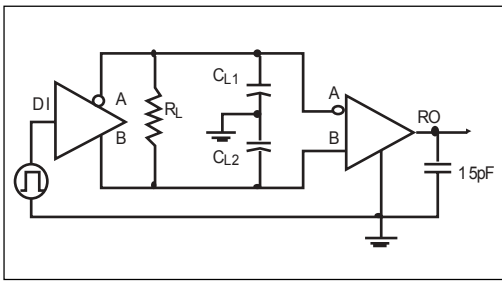


Figure 21. Driver/Receiver Timing Test Circuit

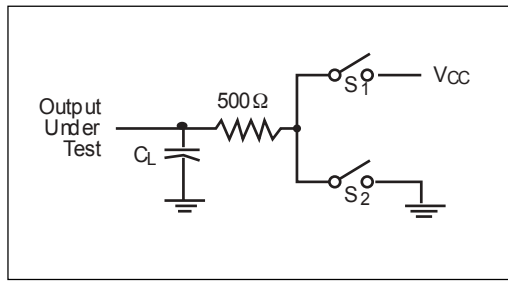


Figure 22. Driver Timing Test Load Circuit

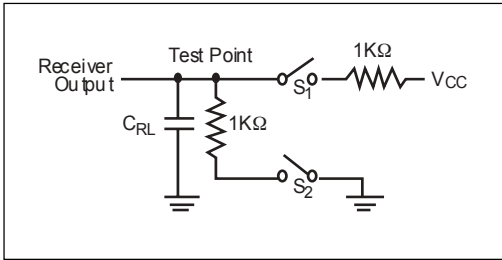


Figure 23. Receiver Timing Test Load Circuit

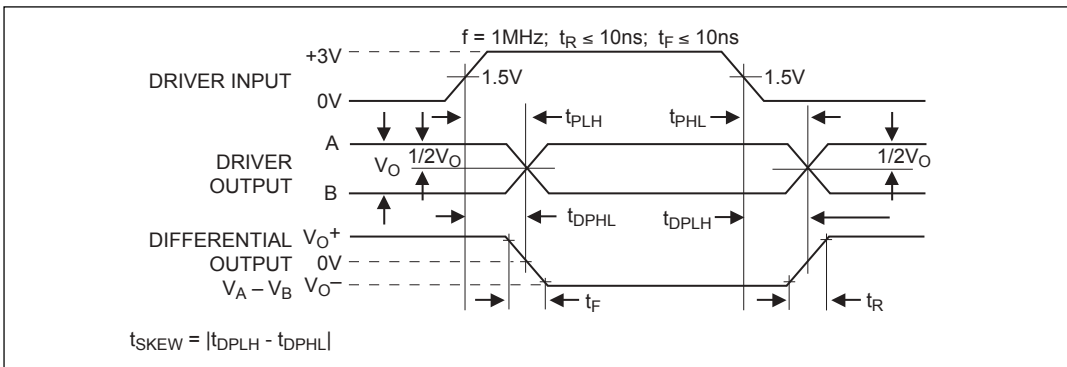


Figure 24. Driver Propagation Delays

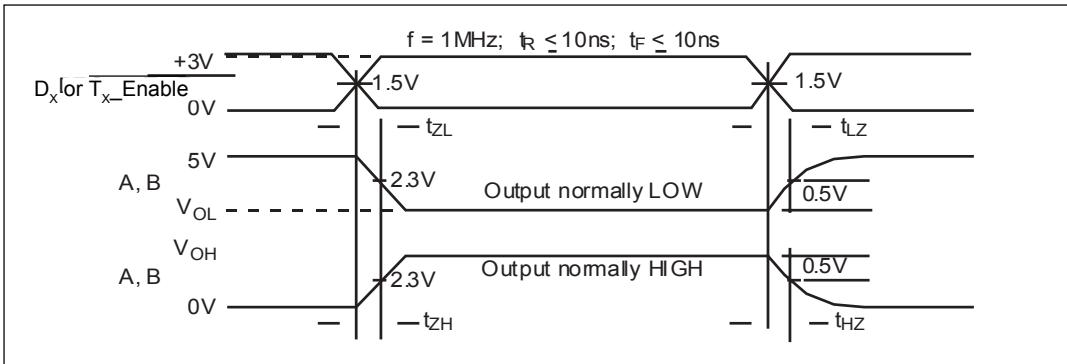


Figure 25. V.11 Driver Enable and Disable Times

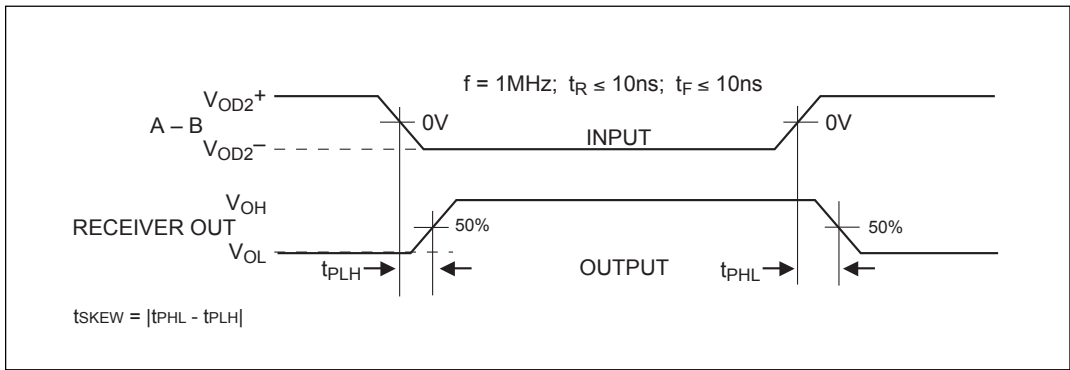


Figure 26. Receiver Propagation Delays

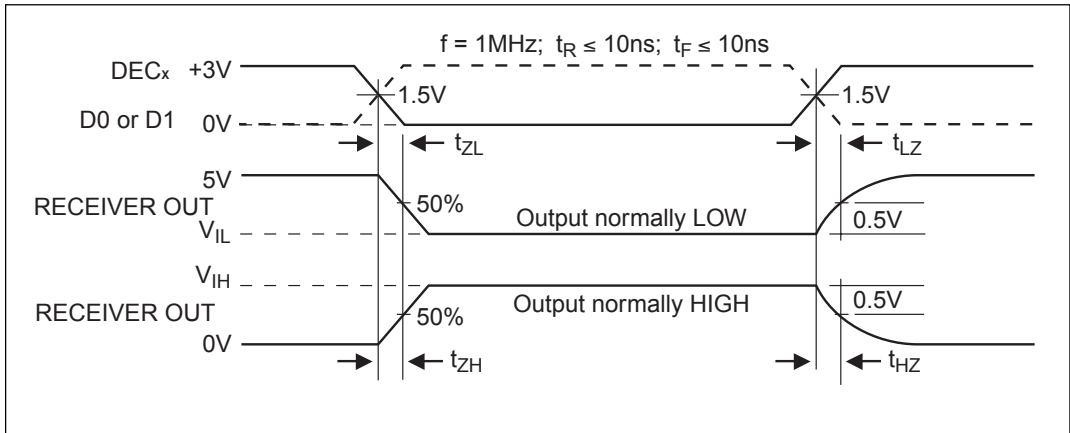


Figure 27. Receiver Enable and Disable Times

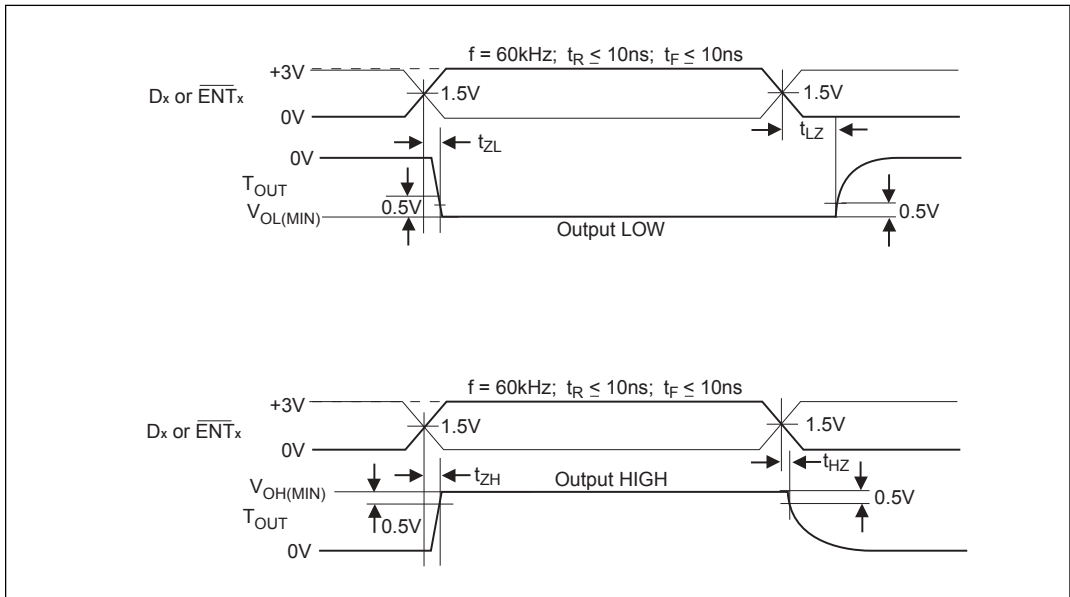


Figure 28. V.28 (RS-232) and V.10 Driver Enable and Disable Times

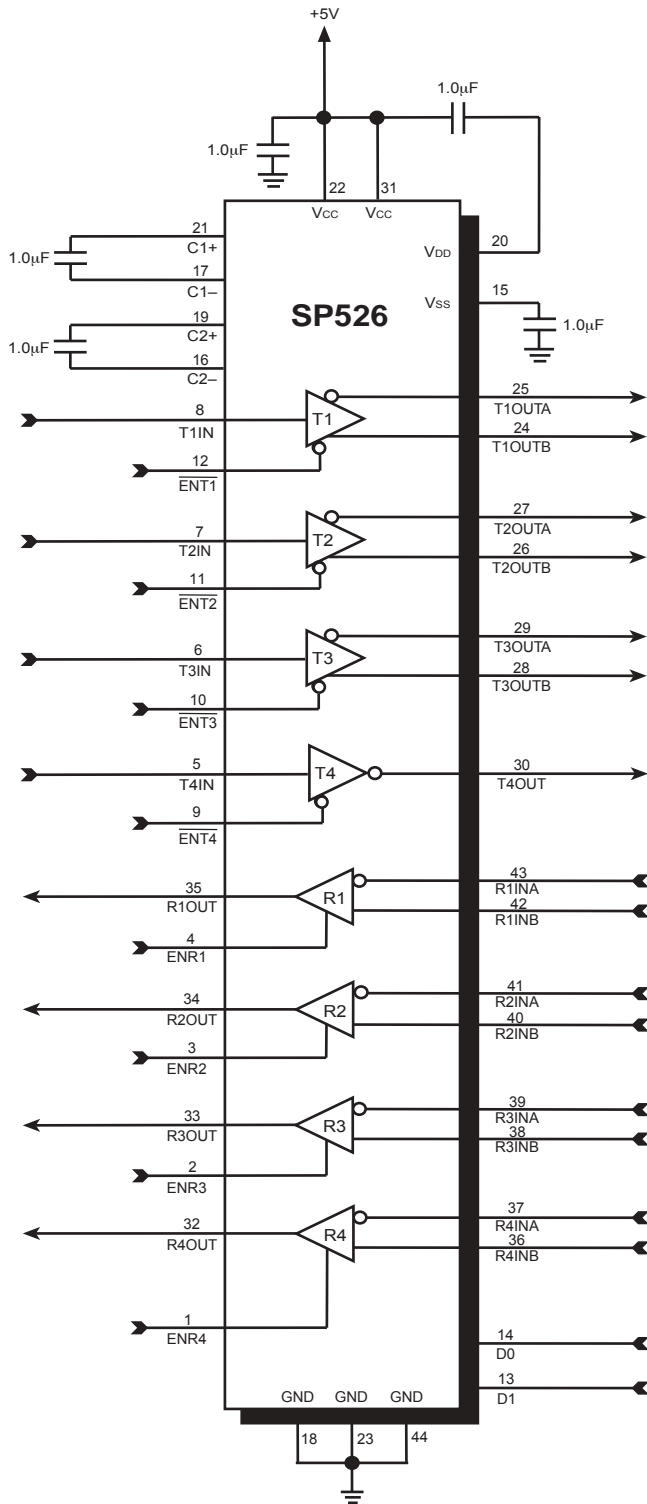


Figure 29. Typical Operating Circuit for the SP526

FEATURES

The **SP526** contains highly integrated serial transceivers that offer programmability between interface modes through software control. The **SP526** offers the hardware interface modes for RS-232 (V.28), RS-423 (V.10), RS-422 (V.11), and RS-485. The interface mode selection is done via two control pins.

The **SP526** has four drivers, four receivers, and an on-board charge pump that is ideally suited for low-cost wide area network connectivity and other multi-protocol applications. Based on our multi-mode **SP500** family, **Sipex** has allocated specific transceiver cells, or "building blocks," from this product series and created the **SP526**. **Sipex's** "building blocks" concept allows these small transceiver cells to be packaged to offer a simple low-cost solution to networking applications that need only 4 interface modes. For example, an 8-channel applications requiring eight serial transceivers can be achieved implementing two **SP526** devices. The **SP526** can be implemented in series with other devices in our **SP500** family. A 9-channel network application can be achieved implementing the **SP505** which contains seven transceivers in conjunction with the **SP526**.

THEORY OF OPERATION

The **SP526** device is made up of 1) the drivers, 2) the receivers, and 3) a charge pump.

Drivers

The **SP526** has four enhanced independent drivers. Control for the mode selection is done via a two-bit control word into DP0 and DP1. The drivers are prearranged such that for each mode of operation, the relative position and functionality of the drivers are set up to accommodate the selected interface mode. As the mode of the drivers is changed, the electrical characteristics will change to support the required signal levels. The mode of each driver in the different interface modes that can be selected is shown in *Table 1*.

There are four basic types of driver circuits — RS-232 (V.28), RS-423 (V.10), RS-422 (V.11), and RS-485.

The RS-232 (V.28) drivers output single-ended signals with a minimum of $\pm 5V$ (with $3K\Omega$ & $2500pF$ loading), and can operate to at least 120Kbps. Since the **SP526** uses a charge pump to generate the RS-232 output rails, the driver outputs will never exceed $\pm 10V$.

The RS-423 (V.10) drivers are also single-ended signals which produce open circuit V_{OL} and V_{OH} measurements of $\pm 4.0V$ to $\pm 6.0V$. When terminated with a 450Ω load to ground, the driver output will not deviate more than 10% of the open circuit value. This is in compliance

D1	D0	Drivers								Receivers							
		T1A	T1B	T2A	T2B	T3A	T3B	T4	R1A	R1B	R2A	R2B	R3A	R3B	R4A	R4B	
0	0	High Z															
0	1	V.11	V.11	V.11	V.11	V.11	V.11	V.10	V.11	V.11	V.11	V.11	V.11	V.11	V.11	V.11	
1	0	V.11	V.11	V.11	V.11	V.10	V.10	V.10	V.11	V.11	V.11	V.11	V.11	V.11	V.11	V.11	
1	1	V.28	X	V.28	X	V.28	X	V.28	V.28	X	V.28	X	V.28	X	V.28	X	

Table 1. SP526 Driver and Receiver Mode Selection with the Control Lines D1 and D0

of the ITU V.10 specification. The RS-423 drivers are used in RS-449, EIA-530, EIA-530A and V.36 modes as Category II signals from each of their corresponding specifications.

The third and fourth type of drivers are RS-422 (V.11)/RS-485 type differential drivers. Due to the nature of differential signaling, the drivers are more immune to noise as opposed to single-ended transmission methods. The advantage is evident over high speeds and long transmission lines. The strength of the driver outputs can produce differential signals that can maintain RS-485, $\pm 1.5V$ differential output levels with a worst case load of 54Ω . The signal levels and drive capability of these drivers allow the drivers to also support RS-422 (V.11) requirements of $\pm 2V$ differential output levels with 100Ω loads. The driver is designed to operate over a common mode range of $+7V$ to $-7V$ which follows the V.11 specification. The RS-422 drivers are used in RS-449, EIA-530, EIA-530A and V.36 modes as Category I signals which are used for clock and data. All of the differential drivers can operate to at least 10Mbps.

The drivers also have separate enable pins which simplifies half-duplex configurations for some applications and also provides simpler DTE/DCE flexibility with one integrated circuit. The enable pins will tri-state the drivers when the $\overline{ENT1}$, $\overline{ENT2}$, $\overline{ENT3}$, and $\overline{ENT4}$ pins are at a logic HIGH ("1"). During tri-stated conditions, the driver outputs will be at a high impedance state.

The driver inputs are both TTL or CMOS compatible. Each driver input should have a pull-down or pull-up resistor so that the output will be at a defined state. Unused driver inputs should have pull-up resistors to $+5V$ connected so that the output is at a logic LOW ("0"). Unused driver inputs should not be left floating. For differential drivers, the non-inverting output will be at a logic HIGH ("1"). The typical pull-up resistor value should be $400k\Omega$.

Receivers

The **SP526** has four independent receivers which can be programmed for the different interface modes. Control for the mode selection is done via a two-bit control word that is the same as the driver control word. Therefore, if the modes for the drivers and receivers are supposed to be identical in the application, the control lines can be tied together.

Like the drivers, the receivers are prearranged for the specific requirements of the synchronous serial interface. As the operating mode of the receivers is changed, the electrical characteristics will change to support the required serial interface protocols of the receivers. *Table 1* shows the mode of each receiver in the different interface modes that can be selected.

There are two basic types of receiver circuits — RS-232 (V.28) and RS-422 (V.11).

The RS-232 (V.28) receiver is single-ended and accepts RS-232 signals from the RS-232 driver. The RS-232 receiver has an operating voltage range of $\pm 15V$ and can receive signals down to $\pm 3V$. The input sensitivity complies with RS-232 and V.28 at $\pm 3V$. The input impedance is $3k\Omega$ to $7k\Omega$ in accordance to RS-232 and V.28. The receiver output produces a TTL/CMOS signal with a $+2.4V$ minimum for a logic "1" and a $+0.8V$ maximum for a logic "0". RS-232(V.28) receivers can be used in RS-232 mode for data, clock or control signals. They are also used in V.35 mode for control line signals: CTS, DSR, LL, and RL. The RS-232 receivers can operate to at least 120kbps.

The third type of receiver is a differential which supports RS-422/V.11 signals. This receiver has a typical input impedance of 10K Ω and a differential threshold of $\pm 0.3V$, which complies with the RS-422/V.11 specifications. Since the characteristics of the RS-422 (V.11) receivers are actually subsets of RS-485, the RS-422/V.11 receivers can accept RS-485 signals. However, these receivers cannot support 32 transceivers on the signal bus due to the lower input impedance as specified in the RS-485 specifications. V.11 receivers are used in RS-422, RS-449, EIA-530, EIA-530A and V.36 as Category I signals for receiving clock, data, and some control line signals not covered by Category II V.10 circuits. The differential receivers can receive signals up to at least 10Mbps.

All four receivers include an enable line for tri-state of the receiver output allowing convenient half-duplex configurations. When the enable lines are at a logic LOW ("0") active, the receiver outputs are high impedance and will be at approximately 10k Ω during tri-state.

All receivers include a fail-safe feature that outputs a logic high when the receiver inputs are open. For single-ended RS-232 receivers, there are internal 5k Ω pull-down resistors on the inputs which produces a logic high ("1") at the receiver outputs. The single-ended RS-423 receivers produce a logic LOW ("0") on the output when the inputs are open. This is due to a pull-up device connected to the input. The differential receivers have the same internal pull-up device on the non-inverting input which produces a logic HIGH ("1") at the receiver output.

Charge Pump

The charge pump is a **Sipex**-patented design (U.S. 5,306,954) and uses a unique approach compared to older less-efficient designs. The charge pump still requires four external capacitors, but uses a four-phase voltage shifting technique to attain symmetrical 10V power supplies. There is a free-running oscillator that controls the four phases of the voltage shifting. A description of each phase follows.

Phase 1

— V_{SS} charge storage — During this phase of the clock cycle, the positive side of capacitors C_1 and C_2 are initially charged to +5V. C_1^+ is then switched to ground and the charge in C_1^- is transferred to C_2^- . Since C_2^+ is connected to +5V, the voltage potential across capacitor C_2 is now 10V.

Phase 2

— V_{SS} transfer — Phase two of the clock connects the negative terminal of C_2 to the V_{SS} storage capacitor and the positive terminal of C_2 to ground, and transfers the generated -10V to C_3 . Simultaneously, the positive side of capacitor C_1 is switched to +5V and the negative side is connected to ground.

Phase 3

— V_{DD} charge storage — The third phase of the clock is identical to the first phase — the charge transferred in C_1 produces -5V in the negative terminal of C_1 , which is applied to the negative side of capacitor C_2 . Since C_2^+ is at +5V, the voltage potential across C_2 is 10V.

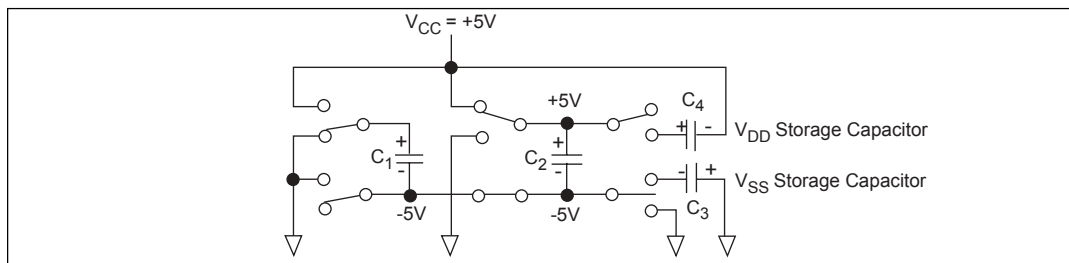


Figure 30. Charge Pump — Phase 1

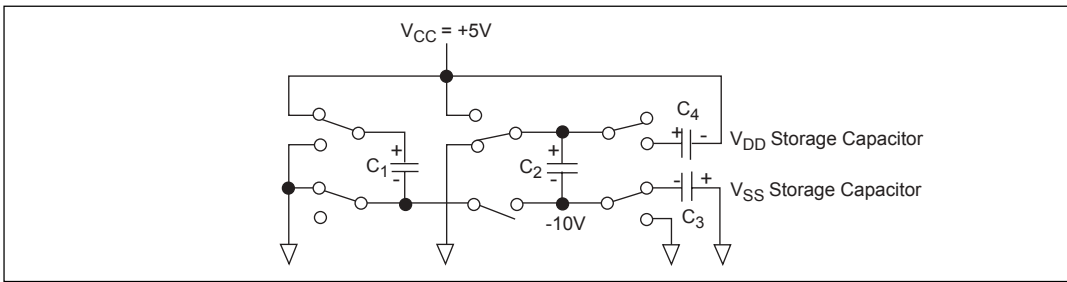


Figure 31. Charge Pump — Phase 2

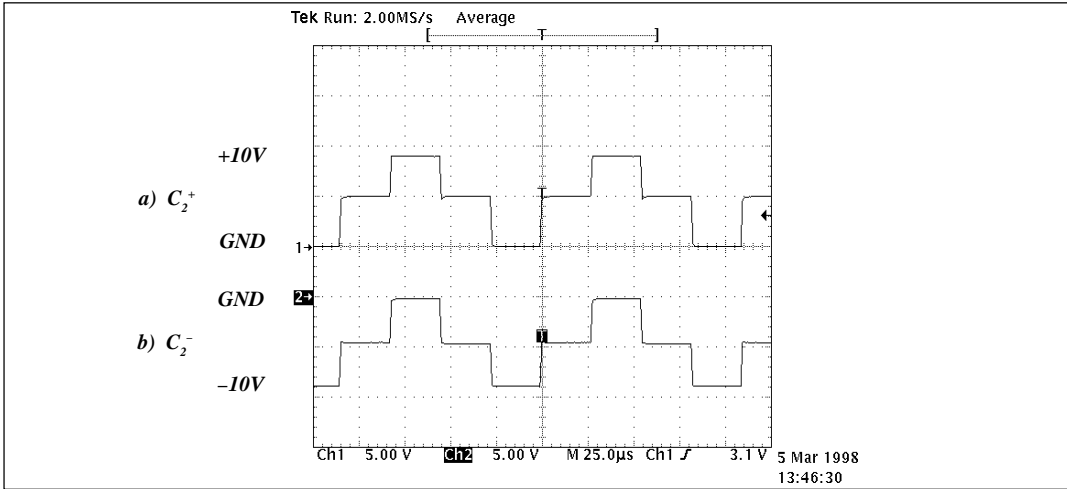


Figure 32. Charge Pump Waveforms

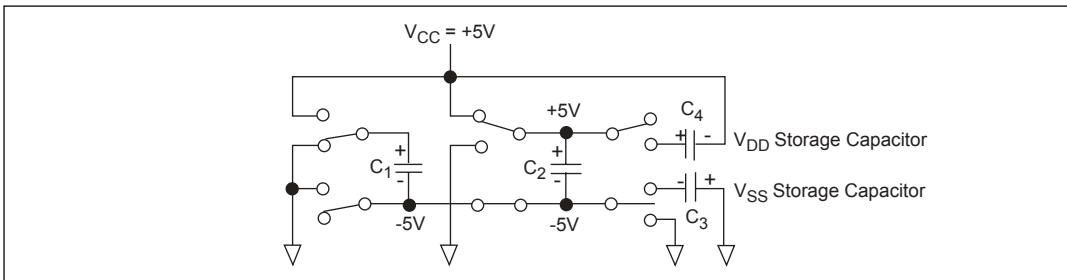


Figure 33. Charge Pump — Phase 3

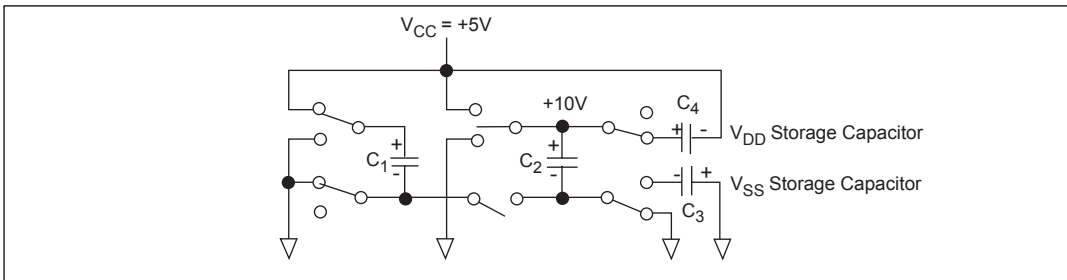


Figure 34. Charge Pump — Phase 4

Phase 4

— V_{DD} transfer — The fourth phase of the clock connects the negative terminal of C_2 to ground, and transfers the generated 10V across C_2 to C_4 , the V_{DD} storage capacitor. Again, simultaneously with this, the positive side of capacitor C_1 is switched to +5V and the negative side is connected to ground, and the cycle begins again.

Since both V^+ and V^- are separately generated from V_{CC} ; in a no-load condition V^+ and V^- will be symmetrical. Older charge pump approaches that generate V^- from V^+ will show a decrease in the magnitude of V^- compared to V^+ due to the inherent inefficiencies in the design.

The clock rate for the charge pump typically operates at 15kHz. The external capacitors can be as low as 1.0 μ F with a 16V breakdown voltage rating.

ESD Tolerance

The **SP526** device incorporates ruggedized ESD cells on all driver output and receiver input pins. The ESD structure is improved over our previous family for more rugged applications and environments sensitive to electro-static discharges and associated transients. The improved ESD tolerance is at least ± 15 kV without damage nor latch-up.

There are different methods of ESD testing applied:

- a) MIL-STD-883, Method 3015.7
- b) IEC1000-4-2 Air-Discharge
- c) IEC1000-4-2 Direct Contact

The Human Body Model has been the generally accepted ESD testing method for semiconductors. This method is also specified in MIL-STD-883, Method 3015.7 for ESD testing. The premise of this ESD test is to simulate the human body's potential to store electro-static energy and discharge it to an integrated circuit. The simulation is performed by using a test model as shown in *Figure 35*. This method will test the IC's capability to withstand an ESD transient during normal handling such as in manufacturing areas where the ICs tend to be handled frequently.

The IEC-1000-4-2, formerly IEC801-2, is generally used for testing ESD on equipment and systems. For system manufacturers, they must guarantee a certain amount of ESD protection since the system itself is exposed to the outside environment and human presence. The premise with IEC1000-4-2 is that the system is required to withstand an amount of static electricity when ESD is applied to points and surfaces of the equipment that are accessible to personnel during normal usage. The transceiver IC receives most

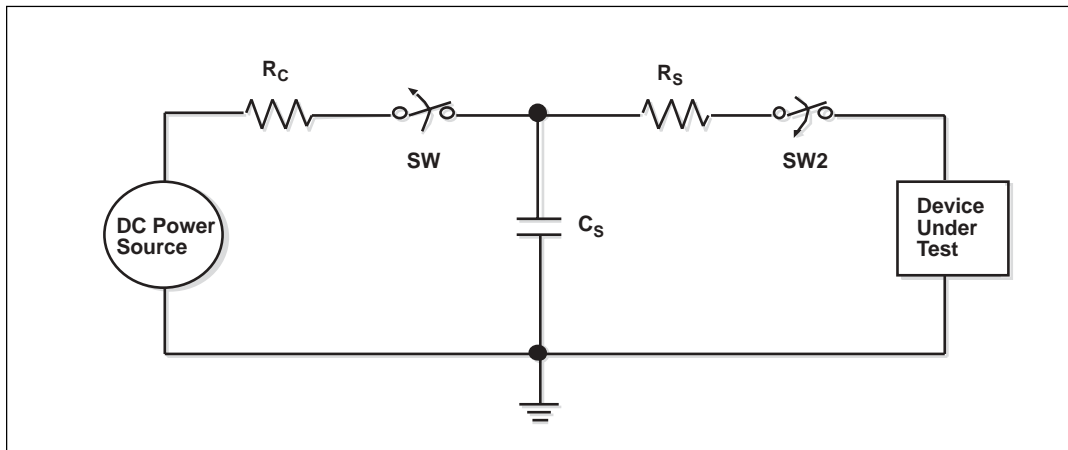


Figure 35. ESD Test Circuit for Human Body Model

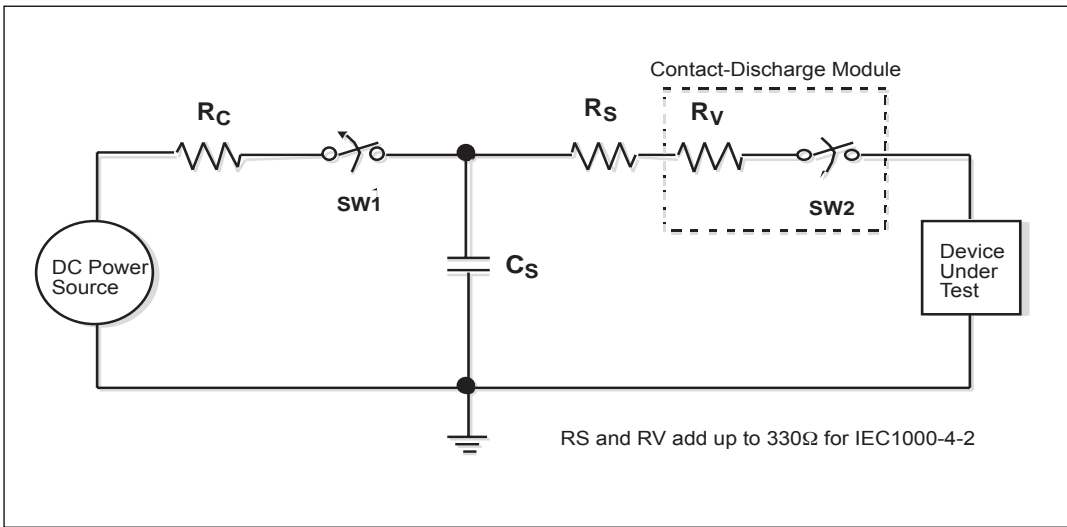


Figure 36. ESD Test Circuit for IEC1000-4-2

of the ESD current when the ESD source is applied to the connector pins. The test circuit for IEC1000-4-2 is shown on Figure 36. There are two methods within IEC1000-4-2, the Air Discharge method and the Contact Discharge method.

With the Air Discharge Method, an ESD voltage is applied to the equipment under test (EUT) through air. This simulates an electrically charged person ready to connect a cable onto the rear of the system only to find an unpleasant zap just before the person touches the back panel. The high energy potential on the person discharges through an arcing path to the rear panel of the system before he or she even touches the system. This energy, whether discharged directly or through air, is predominantly a function of the discharge current rather than the discharge voltage. Variables with an air discharge such as approach speed of the object carrying the ESD

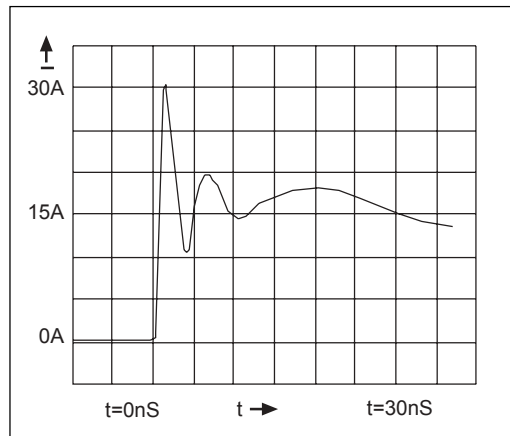


Figure 37. ESD Test Waveform for IEC1000-4-2

Device Pin Tested	Human Body Model	IEC1000-4-2		
		Air Discharge	Direct Contact	Level
Driver Outputs	±15kV	±15kV	±8kV	4
Receiver Inputs	±15kV	±15kV	±8kV	4

Table 2. Transceiver ESD Tolerance Levels

potential to the system and humidity will tend to change the discharge current. For example, the rise time of the discharge current varies with the approach speed.

The Contact Discharge Method applies the ESD current directly to the EUT. This method was devised to reduce the unpredictability of the ESD arc. The discharge current rise time is constant since the energy is directly transferred without the air-gap arc. In situations such as hand held systems, the ESD charge can be directly discharged to the equipment from a person already holding the equipment. The current is transferred on to the keypad or the serial port of the equipment directly and then travels through the PCB and finally to the IC.

The circuit models in *Figures 35* and *36* represent the typical ESD testing circuits used for all three methods. The C_S is initially charged with the DC power supply when the first switch (SW1) is on. Now that the capacitor is charged, the second switch (SW2) is on while SW1 switches off. The voltage stored in the capacitor is then applied through R_S , the current limiting resistor, onto the device under test (DUT). In ESD tests, the SW2 switch is pulsed so that the device under test receives a duration of voltage.

For the Human Body Model, the current limiting resistor (R_S) and the source capacitor (C_S) are $1.5k\Omega$ and $100pF$, respectively. For IEC-1000-4-2, the current limiting resistor (R_S) and the source capacitor (C_S) are 330Ω and $150pF$, respectively.

The higher C_S value and lower R_S value in the IEC1000-4-2 model are more stringent than the Human Body Model. The larger storage capacitor injects a higher voltage to the test point when SW2 is switched on. The lower current limiting resistor increases the current charge onto the test point.

NET1/NET2 European Compliancy

As with all of **Sipex's** previous multi-protocol serial transceiver ICs, the drivers and receivers have been designed to meet all the requirements to NET1/NET2. The **SP526** is also tested and adheres to all the NET1/2 physical layer testing and the ITU Series V specifications. Please note that although the **SP526**, as with its predecessors, adheres to NET1/2 testing, any complex or unusual configuration should be double-checked to ensure NET compliance. Consult the factory for details.

ORDERING INFORMATION

Part Number	Temperature Range	Package Types
SP526CF-----	0° C to +70°C-----	44-pin JEDEC LQFP

Please consult the factory for pricing and availability on a Tape-On-Reel option.

Available in lead free packaging. To order add “-L” suffix to part number.

Example: SP526CF = standard; SP526CF-L = lead free

REVISION HISTORY

DATE	REVISION	DESCRIPTION
1/27/04	A	Implemented tracking revision.
7/7/04	B	Available in LQFP package.
2/1/06	C	Added table describing pin function in different modes.



SOLVEDBY SIPEX

Sipex Corporation

Headquarters and Sales Office

233 South Hillview Drive
Milpitas, CA 95035
TEL: (408) 934-7500
FAX: (408) 935-7600

Sales Office

22 Linnell Circle
Billerica, MA 01821
TEL: (978) 667-8700
FAX: (978) 670-9001
e-mail: sales@sipex.com

Sipex Corporation reserves the right to make changes to any products described herein. Sipex does not assume any liability arising out of the application or use of any product or circuit described herein; neither does it convey any license under its patent rights nor the rights of others.

Date	Changes Implemented	Input Source
29-Nov-05	Changing links and metatags for more suitable search engine results.	Brad Hudon
06-Dec-05	Ordering information can't have dots, must have dashes.	Mark Levi
11-Jan-06	Added "Solved by Sipex tm" @ end	Kevin O'Malley
02-Feb-06	Added modes table. POD	Mike Delurio
	This information is not to be given out to customers.	