

**NOT RECOMMENDED FOR NEW DESIGNS
RECOMMENDED REPLACEMENT PART
ICL3237E**

1 Microamp Supply-Current, +3V to +5.5V, 1Mbps, RS-232 Transmitters/Receivers

The Intersil ICL3237 contains 3.0V to 5.5V powered RS-232 transmitters/receivers which meet EIA/TIA-232 and V.28/V.24 specifications, even at $V_{CC} = 3.0V$. Targeted applications are cell phones, PDAs, Palmtops, and notebook and laptop computers where the low operational, and even lower standby, power consumption is critical. Efficient on-chip charge pumps, coupled with manual powerdown function, reduce the standby supply current to a 1 μ A trickle. Small footprint packaging, and the use of small, low value capacitors ensure board space savings as well. Data rates greater than 1Mbps (MBAUD = V_{CC}) are guaranteed at worst case load conditions. This family is fully compatible with 3.3V only systems, mixed 3.3V and 5.0V systems, and 5.0V only systems.

The ICL3237 is a 5 driver, 3 receiver device that also includes a noninverting always-active receiver for “wake-up” capability.

Table 1 summarizes the features of the device represented by this data sheet, while Application Note AN9863 summarizes the features of each device comprising the ICL32XX 3V family.

Features

- $\pm 15kV$ ESD Protected (Human Body Model)
- Drop in Replacement for MAX3237
- Meets EIA/TIA-232 and V.28/V.24 Specifications at 3V
- Latch-Up Free
- On-Chip Voltage Converters Require Only Four External Capacitors
- Manual Powerdown Features
- Flow Through Pinout
- Receiver Hysteresis For Improved Noise Immunity
- Pin Selectable Data Rate
- Guaranteed Minimum Data Rate 250kbps/1Mbps
- Guaranteed Minimum Slew Rate 6V/ μ s or 24V/ μ s
- Wide Power Supply Range Single +3V to +5.5V
- Low Supply Current in Powerdown State 1 μ A
- Pb-Free Plus Anneal Available (RoHS Compliant)

Applications

- Any System Requiring RS-232 Communication Ports
 - Battery Powered, Hand-Held, and Portable Equipment
 - Laptop Computers, Notebooks, Palmtops
 - Modems, Printers and other Peripherals
 - Digital Cameras
 - Cellular/Mobile Phone

Related Literature

- Technical Brief TB363 “Guidelines for Handling and Processing Moisture Sensitive Surface Mount Devices (SMDs)”
- AN9863 “3V to +5.5V, 250k-1Mbps, RS-232 Transmitters/Receivers”

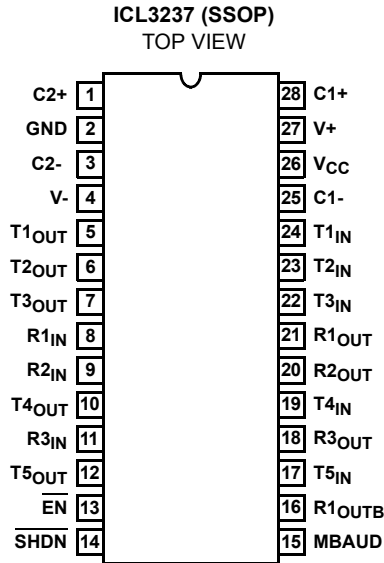
TABLE 1. SUMMARY OF FEATURES

PART NUMBER	NO. OF Tx.	NO. OF Rx.	NO. OF MONITOR Rx. (ROUTB)	(NOTE 1) DATA RATE (kbps)	Rx. ENABLE FUNCTION?	READY OUTPUT?	MANUAL POWER-DOWN?	AUTOMATIC POWERDOWN FUNCTION?
ICL3237	5	3	1	250/1000	YES	NO	YES	NO

NOTE:

1. Data rate is selectable via the MBAUD pin.

Pinout



Ordering Information

PART NO.	PART MARKING	TEMP. RANGE (°C)	PACKAGE	PKG. DWG. #
ICL3237CA	ICL3237CA	0 to 70	28 Ld SSOP	M28.209
ICL3237CAZ (See Note)	ICL3237CAZ	0 to 70	28 Ld SSOP (Pb-free)	M28.209
ICL3237IA	ICL3237IA	-40 to 85	28 Ld SSOP	M28.209
ICL3237IAZ (See Note)	ICL3237IAZ	-40 to 85	28 Ld SSOP (Pb-free)	M28.209

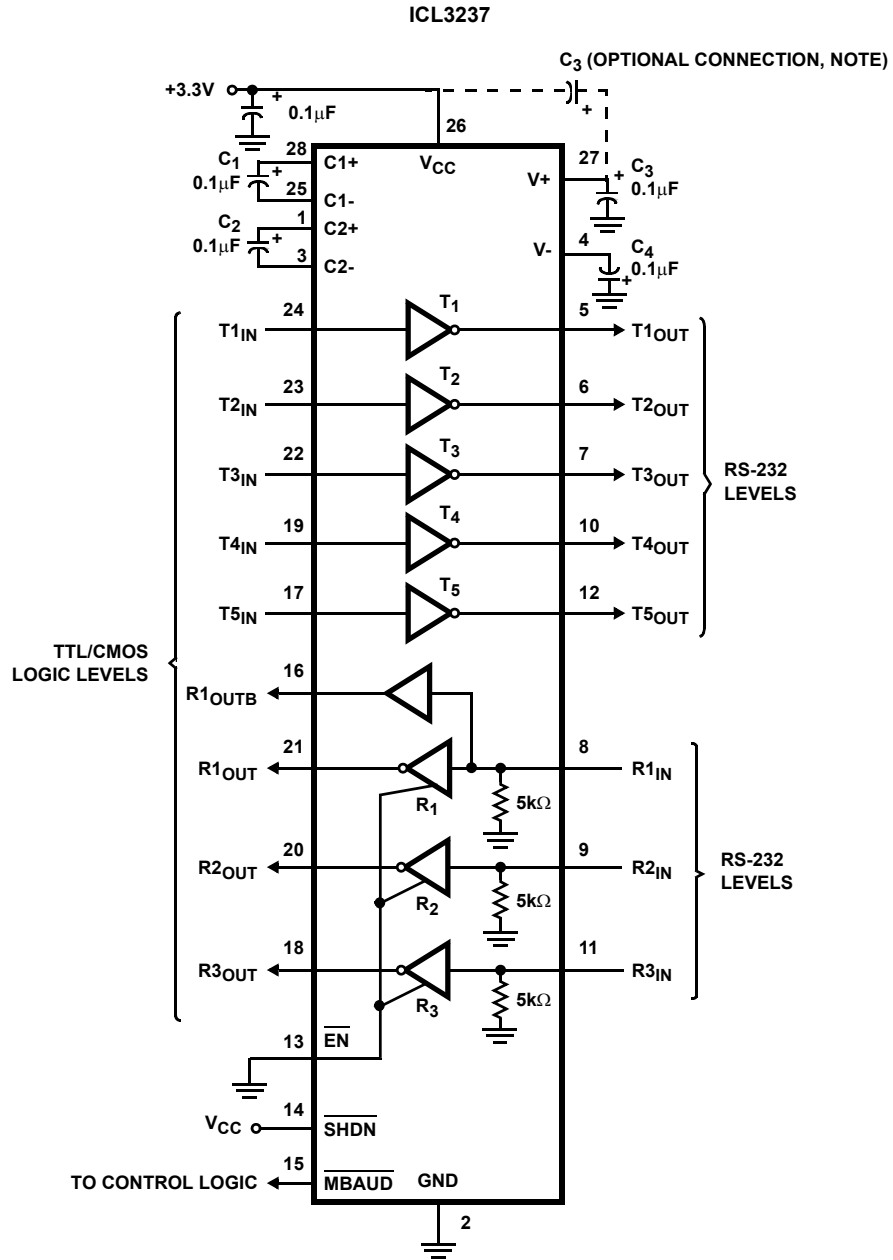
*Add "-T" suffix to part number for tape and reel packaging.

NOTE: Intersil Pb-free plus anneal products employ special Pb-free material sets; molding compounds/die attach materials and 100% matte tin plate termination finish, which are RoHS compliant and compatible with both SnPb and Pb-free soldering operations. Intersil Pb-free products are MSL classified at Pb-free peak reflow temperatures that meet or exceed the Pb-free requirements of IPC/JEDEC J STD-020.

Pin Descriptions

PIN	FUNCTION
V _{CC}	System Power Supply Input (3.0V to 5.5V).
V+	Internally Generated Positive Transmitter Supply (+5.5V).
V-	Internally Generated Negative Transmitter Supply (-5.5V).
GND	Ground Connection.
C1+	External Capacitor (Voltage Doubler) is connected to this lead.
C1-	External Capacitor (Voltage Doubler) is connected to this lead.
C2+	External Capacitor (Voltage Inverter) is connected to this lead.
C2-	External Capacitor (Voltage Inverter) is connected to this lead.
T _{IN}	TTL/CMOS Compatible Transmitter Inputs.
T _{OUT}	RS-232 level (nominally ±5.5V) transmitter outputs.
R _{IN}	RS-232 Compatible Receiver Inputs.
R _{OUT}	TTL/CMOS Level Receiver Outputs.
R _{OUTB}	TTL/CMOS Level, Noninverting, Always Enabled Receiver Output.
$\overline{\text{EN}}$	Active Low Receiver Enable Control; doesn't disable R _{OUTB} output.
$\overline{\text{SHDN}}$	Active Low Input to Shutdown Transmitters and On-Board Power Supply, to place device in low power mode.
MBAUD	Input Low selects 250kbps data rate, and input high selects 1Mbps data rate.

Typical Operating Circuit



NOTE: THE NEGATIVE TERMINAL OF C₃ CAN BE CONNECTED TO EITHER V_{CC} OR GND.

Absolute Maximum Ratings

V _{CC} to Ground	-0.3V to 6V
V+ to Ground	-0.3V to 7V
V- to Ground	+0.3V to -7V
V+ to V-	14V
Input Voltages	
T _{IN} , EN, SHDN	-0.3V to 6V
MBAUD	-0.3V to V _{CC} +0.3V
R _{IN}	±25V
Output Voltages	
T _{OUT}	±13.2V
R _{OUT}	-0.3V to V _{CC} +0.3V
Short Circuit Duration	
T _{OUT}	Continuous
ESD Rating See Specification Table	

Thermal Information

Thermal Resistance (Typical, Note 2)	θ _{JA} (°C/W)
28 Ld SSOP Package	100
Moisture Sensitivity (see Technical Brief TB363)	
All Packages	Level 1
Maximum Junction Temperature (Plastic Package)	150°C
Maximum Storage Temperature Range	-65°C to 150°C
Maximum Lead Temperature (Soldering 10s)	300°C (Lead Tips Only)

Operating Conditions

Temperature Range	
ICL3237C	0°C to 70°C
ICL3237I	-40°C to 85°C

CAUTION: Stresses above those listed in "Absolute Maximum Ratings" may cause permanent damage to the device. This is a stress only rating and operation of the device at these or any other conditions above those indicated in the operational sections of this specification is not implied.

NOTE:

- θ_{JA} is measured with the component mounted on a low effective thermal conductivity test board in free air. See Tech Brief TB379 for details.

Electrical Specifications Test Conditions: V_{CC} = 3V, C₁ - C₄ = 0.22µF; V_{CC} = 3.15V to 5.5V, C₁ - C₄ = 0.1µF, Unless Otherwise Specified. Typicals are at T_A = 25°C

PARAMETER	TEST CONDITIONS	TEMP (°C)	MIN	TYP	MAX	UNITS
DC CHARACTERISTICS						
Supply Current, Powerdown Disabled	All Outputs Unloaded, V _{CC} = 3.15V, $\overline{\text{SHDN}} = V_{CC}$	25	-	0.3	1.0	mA
Supply Current, Powerdown	$\overline{\text{SHDN}} = \text{GND}$	25	-	1.0	10	µA
LOGIC AND TRANSMITTER INPUTS AND RECEIVER OUTPUTS						
Input Logic Threshold Low	T _{IN} , $\overline{\text{EN}}$, $\overline{\text{SHDN}}$, MBAUD	Full	-	-	0.8	V
Input Logic Threshold High	T _{IN} , $\overline{\text{EN}}$, $\overline{\text{SHDN}}$, MBAUD	V _{CC} = 3.3V	Full	2.0	-	V
		V _{CC} = 5.0V	Full	2.4	-	V
Transmitter Input Hysteresis		25	-	0.5	-	V
Input Leakage Current	T _{IN} , $\overline{\text{EN}}$, $\overline{\text{SHDN}}$, MBAUD	Full	-	±0.01	±1.0	µA
Output Leakage Current	$\overline{\text{EN}} = V_{CC}$ (Receivers Disabled)	Full	-	±0.05	±10	µA
Output Voltage Low	I _{OUT} = 1.6mA	Full	-	-	0.4	V
Output Voltage High	I _{OUT} = -1.0mA	Full	V _{CC} -0.6	V _{CC} -0.1	-	V
RECEIVER INPUTS						
Input Voltage Range		Full	-25	-	25	V
Input Threshold Low	V _{CC} = 3.3V	25	0.6	1.2	-	V
	V _{CC} = 5.0V	25	0.8	1.5	-	V
Input Threshold High	V _{CC} = 3.3V to 5.0V	25	-	1.6	2.4	V
Input Hysteresis		25	-	0.3	-	V
Input Resistance		25	3	5	7	kΩ
TRANSMITTER OUTPUTS						
Output Voltage Swing	All Transmitter Outputs Loaded with 3kΩ to Ground	Full	±5.0	±5.4	-	V

ICL3237

Electrical Specifications Test Conditions: $V_{CC} = 3V$, $C_1 - C_4 = 0.22\mu F$; $V_{CC} = 3.15V$ to $5.5V$, $C_1 - C_4 = 0.1\mu F$, Unless Otherwise Specified. Typicals are at $T_A = 25^\circ C$ **(Continued)**

PARAMETER	TEST CONDITIONS			TEMP (°C)	MIN	TYP	MAX	UNITS
Output Resistance	$V_{CC} = V_+ = V_- = 0V$, Transmitter Output = $\pm 2V$			Full	300	10M	-	Ω
Output Short-Circuit Current				Full	-	± 35	± 60	mA
Output Leakage Current	$V_{OUT} = \pm 12V$, $V_{CC} = 0V$ or $3V$ to $5.5V$, $\overline{SHDN} = GND$			Full	-	-	± 25	μA
TIMING CHARACTERISTICS								
Maximum Data Rate	$R_L = 3k\Omega$, One Transmitter Switching	$C_L = 1000pF$	MBAUD = GND	Full	250	700	-	kbps
		$V_{CC} = 3V$ to $4.5V$, $C_L = 250pF$	MBAUD = V_{CC}	Full	1000	1700	-	kbps
		$V_{CC} = 4.5V$ to $5.5V$, $C_L = 1000pF$	MBAUD = V_{CC}	Full	1000	1100	-	kbps
Receiver Propagation Delay	Receiver Input to Receiver Output, $C_L = 150pF$	t_{PHL}		25	-	0.15	-	μs
		t_{PLH}		25	-	0.15	-	μs
Receiver Output Enable Time	Normal Operation			25	-	200	-	ns
Receiver Output Disable Time	Normal Operation			25	-	200	-	ns
Transmitter Skew	$t_{PHL} - t_{PLH}$ (Note 3)	MBAUD = GND		25	-	100		ns
		MBAUD = V_{CC} , $V_{CC} = 3.0V$		25	-	25		ns
Receiver Skew	$t_{PHL} - t_{PLH}$, $C_L = 150pF$			25	-	50	-	ns
Transition Region Slew Rate	$V_{CC} = 3.3V$, $R_L = 3k\Omega$ to $7k\Omega$, Measured From $3V$ to $-3V$ or $-3V$ to $3V$	$C_L = 150pF$ to $1000pF$	MBAUD = GND	25	6	17	30	$V/\mu s$
			MBAUD = V_{CC}	25	24	40	150	$V/\mu s$
		$C_L = 150pF$ to $2500pF$	MBAUD = GND	25	4	12	30	$V/\mu s$
ESD PERFORMANCE								
RS-232 Pins (T_{OUT} , R_{IN})	Human Body Model			25	-	± 15	-	kV
	IEC61000-4-2 Contact Discharge			25	-	± 8	-	kV
	IEC61000-4-2 Air Gap Discharge			25	-	$>\pm 8$	-	kV
All Other Pins	Human Body Model			25	-	± 2.5	-	kV

NOTE:

3. Skew is measured at the input switching points (1.4V).

Detailed Description

The ICL3237 operates from a single +3V to +5.5V supply, guarantees a 1Mbps minimum data rate, requires only four small external 0.1µF capacitors, features low power consumption, and meets all EIA/TIA-232 and V.28 specifications. The circuit is divided into three sections: The charge pump, the transmitters, and the receivers.

Charge-Pump

Intersil’s new ICL32XX family utilizes regulated on-chip dual charge pumps as voltage doublers, and voltage inverters to generate ±5.5V transmitter supplies from a V_{CC} supply as low as 3.0V. This allows these devices to maintain RS-232 compliant output levels over the ±10% tolerance range of 3.3V powered systems. The efficient on-chip power supplies require only four small, external 0.1µF capacitors for the voltage doubler and inverter functions at V_{CC} = 3.3V. See the “Capacitor Selection” section, and Table 3 for capacitor recommendations for other operating conditions. The charge pumps operate discontinuously (i.e., they turn off as soon as the V+ and V- supplies are pumped up to the nominal values), resulting in significant power savings.

Transmitters

The transmitters are proprietary, low dropout, inverting drivers that translate TTL/CMOS inputs to EIA/TIA-232 output levels. Coupled with the on-chip ±5.5V supplies, these transmitters deliver true RS-232 levels over a wide range of single supply system voltages.

All transmitter outputs disable and assume a high impedance state when the device enters the powerdown mode (see Table 2). These outputs may be driven to ±12V when disabled.

The ICL3237 guarantees a 1Mbps data rate (if MBAUD = 1) for full load conditions (3kΩ and 250pF), V_{CC} ≥ 3.0V, with one transmitter operating at full speed. Under more typical conditions of V_{CC} ≥ 3.3V, C₁₋₄ = 0.1µF, R_L = 3kΩ, and C_L = 250pF, one transmitter easily operates at 1.7Mbps.

Transmitter inputs float if left unconnected, and may cause I_{CC} increases. Connect unused inputs to GND for the best performance.

Receivers

The ICL3237 device contains standard inverting receivers that three-state only when the EN control line is driven high. Additionally, it includes a noninverting (monitor) receiver (denoted by the R_{OUTB} label) that is always active,

regardless of the state of any control lines. All the receivers convert RS-232 signals to CMOS output levels and accept inputs up to ±25V while presenting the required 3kΩ to 7kΩ input impedance (see Figure 1) even if the power is off (V_{CC} = 0V). The receivers’ Schmitt trigger input stage uses hysteresis to increase noise immunity and decrease errors due to slow input signal transitions.

Monitor receivers remain active even during manual powerdown and forced receiver disable, making them extremely useful for Ring Indicator monitoring. Standard receivers driving powered down peripherals must be disabled to prevent current flow through the peripheral’s protection diodes (see Figures 2 and 3). This renders them useless for wake up functions, but the corresponding monitor receiver can be dedicated to this task as shown in Figure 3.

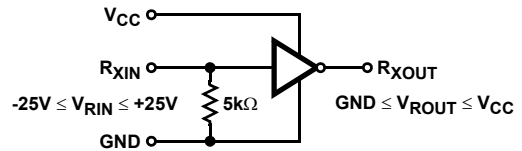


FIGURE 1. INVERTING RECEIVER CONNECTIONS

Powerdown Functionality

This 3V device requires a nominal supply current of 0.3mA during normal operation (not in powerdown mode). This is considerably less than the 5mA to 11mA current required of 5V RS-232 devices. The already low current requirement drops significantly when the device enters powerdown mode. In powerdown, supply current drops to 1µA, because the on-chip charge pump turns off (V+ collapses to V_{CC}, V- collapses to GND), and the transmitter outputs three-state. This micro-power mode makes the ICL3237 ideal for battery powered and portable applications.

Software Controlled (Manual) Powerdown

On the ICL3237, the powerdown control is via a simple shutdown (SHDN) pin. Driving this pin high enables normal operation, while driving it low forces the IC into it’s powerdown state. Connect SHDN to V_{CC} if the powerdown function isn’t needed. Note that all the receiver outputs remain enabled during shutdown (see Table 2). For the lowest power consumption during powerdown, the receivers should also be disabled by driving the EN input high (see next section, and Figures 2 and 3). The time required to exit powerdown, and resume transmission is only 100µs.

TABLE 2. POWERDOWN AND ENABLE LOGIC TRUTH TABLE

SHDN INPUT	EN INPUT	TRANSMITTER OUTPUTS	RECEIVER OUTPUTS	R _{OUTB} OUTPUT	MODE OF OPERATION
L	L	High-Z	Active	Active	Manual Powerdown
L	H	High-Z	High-Z	Active	Manual Powerdown w/Rcvr. Disabled
H	L	Active	Active	Active	Normal Operation
H	H	Active	High-Z	Active	Normal Operation w/Rcvr. Disabled

Receiver ENABLE Control

This device also features an \overline{EN} input to control the receiver outputs. Driving \overline{EN} high disables all the inverting (standard) receiver outputs placing them in a high impedance state. This is useful to eliminate supply current, due to a receiver output forward biasing the protection diode, when driving the input of a powered down ($V_{CC} = GND$) peripheral (see Figure 2). The enable input has no effect on transmitter nor monitor (R_{OUTB}) outputs.

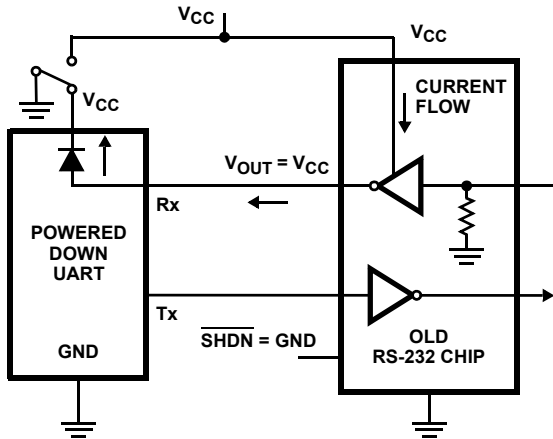


FIGURE 2. POWER DRAIN THROUGH POWERED DOWN PERIPHERAL

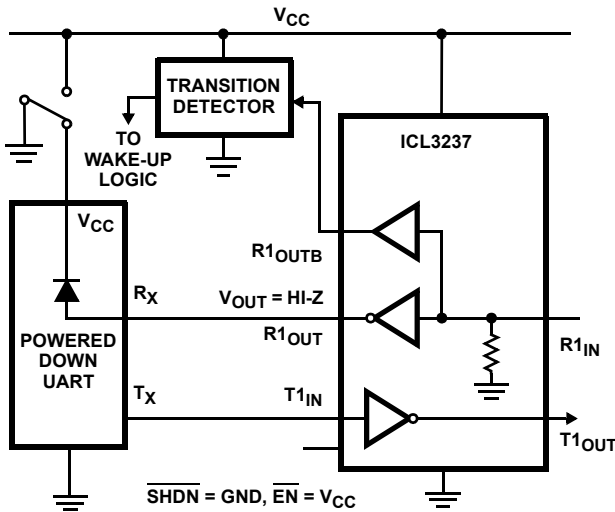


FIGURE 3. DISABLED RECEIVERS PREVENT POWER DRAIN

MegaBaud Selection

In normal operating mode ($MBAUD = GND$), the ICL3237 transmitters guarantee a 250kbps data rate with worst-case loads of $3k\Omega$ in parallel with $1000pF$. This provides compatibility with PC-to-PC communication software, such as Laplink™.

For higher speed serial communications, the ICL3237 features MegaBaud operation. In MegaBaud operating mode ($MBAUD = V_{CC}$), the ICL3237 transmitters guarantee a 1Mbps data rate with worst-case loads of $3k\Omega$ in parallel with $250pF$ for $3.0V < V_{CC} < 4.5V$. For $5V \pm 10\%$ operation, the ICL3237 transmitters guarantee a 1Mbps data rate into worst-case loads of $3k\Omega$ in parallel with $1000pF$.

Capacitor Selection

The charge pumps require $0.1\mu F$ capacitors for 3.3V operation. For other supply voltages refer to Table 3 for capacitor values. Do not use values smaller than those listed in Table 3. Increasing the capacitor values (by a factor of 2) reduces ripple on the transmitter outputs and slightly reduces power consumption. C_2 , C_3 , and C_4 can be increased without increasing C_1 's value, however, do not increase C_1 without also increasing C_2 , C_3 , and C_4 to maintain the proper ratios (C_1 to the other capacitors).

When using minimum required capacitor values, make sure that capacitor values do not degrade excessively with temperature. If in doubt, use capacitors with a larger nominal value. The capacitor's equivalent series resistance (ESR) usually rises at low temperatures and it influences the amount of ripple on $V+$ and $V-$.

TABLE 3. REQUIRED CAPACITOR VALUES

V_{CC} (V)	C_1 (μF)	C_2, C_3, C_4 (μF)
3.0 to 3.6	0.22	0.22
3.15 to 3.6	0.1	0.1
4.5 to 5.5	0.047	0.33
3.0 to 5.5	0.22	1.0

Power Supply Decoupling

In most circumstances a $0.1\mu F$ bypass capacitor is adequate. In applications that are particularly sensitive to power supply noise, decouple V_{CC} to ground with a capacitor of the same value as the charge-pump capacitor C_1 . Connect the bypass capacitor as close as possible to the IC.

Transmitter Outputs when Exiting Powerdown

Figure 4 shows the response of two transmitter outputs when exiting powerdown mode. As they activate, the two transmitter outputs properly go to opposite RS-232 levels, with no glitching, ringing, nor undesirable transients. Each transmitter is loaded with $3k\Omega$ in parallel with $2500pF$. Note that the transmitters enable only when the magnitude of the supplies exceed approximately 3V.

High Data Rates

The ICL3237 maintains the RS-232 $\pm 5V$ minimum transmitter output voltages even at high data rates. Figure 5

details a transmitter loopback test circuit, and Figure 6 illustrates the standard speed loopback test result for a single transmitter driving 1000pF and an RS-232 load at 250kbps. Figure 7 shows the megabaud loopback results for a single transmitter driving 250pF and an RS-232 load at 1Mbps. The static transmitters were also loaded with an RS-232 receiver.

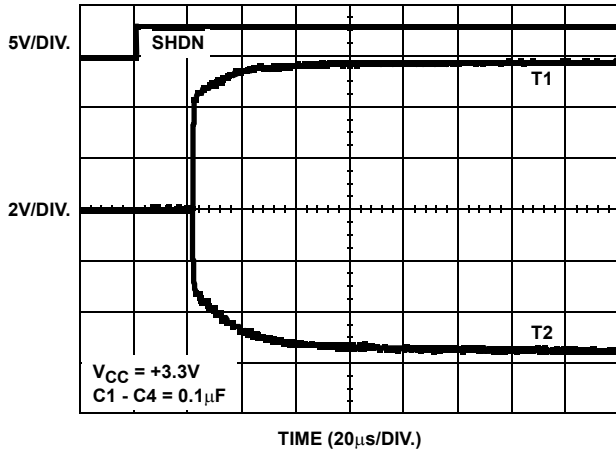


FIGURE 4. TRANSMITTER OUTPUTS WHEN EXITING POWERDOWN

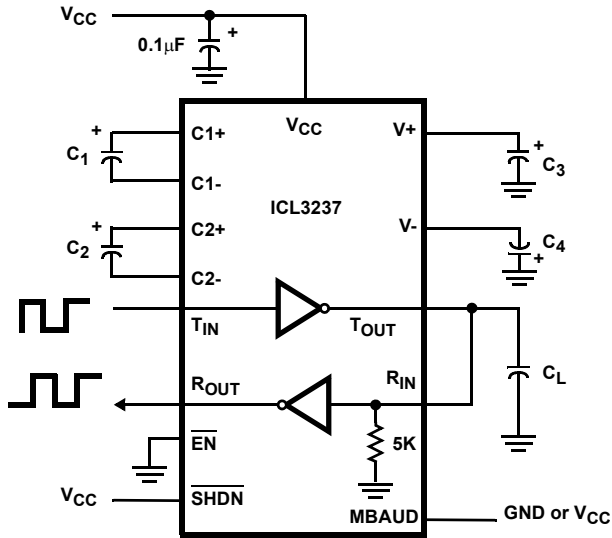


FIGURE 5. TRANSMITTER LOOPBACK TEST CIRCUIT

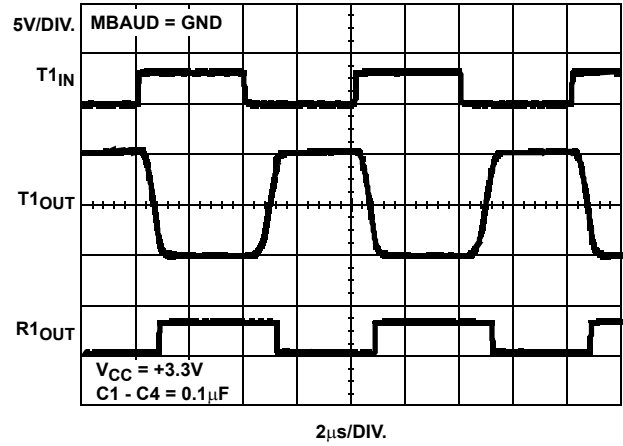


FIGURE 6. LOOPBACK TEST AT 250kbps ($C_L = 1000\text{pF}$)

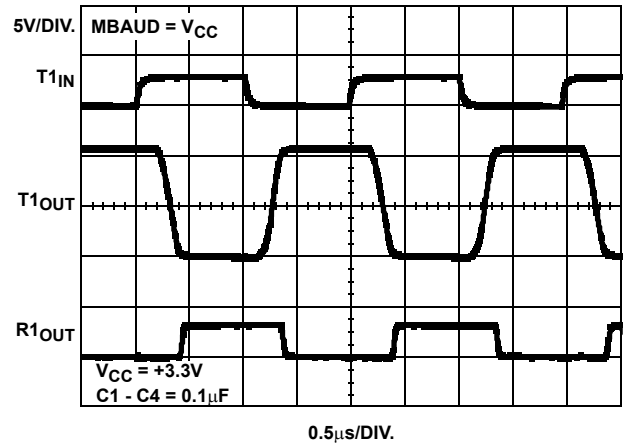


FIGURE 7. LOOPBACK TEST AT 1Mbps ($C_L = 250\text{pF}$)

Interconnection with 3V and 5V Logic

The ICL3237 directly interfaces with most 5V logic families, including ACT and HCT CMOS. See Table 4 for more information on possible combinations of interconnections.

TABLE 4. LOGIC FAMILY COMPATIBILITY WITH VARIOUS SUPPLY VOLTAGES

SYSTEM POWER-SUPPLY VOLTAGE (V)	V _{CC} SUPPLY VOLTAGE (V)	COMPATIBILITY
3.3	3.3	Compatible with all CMOS families.
5	5	Compatible with all TTL and CMOS logic families.
5	3.3	Compatible with ACT and HCT CMOS, and with TTL. Incompatible with AC, HC, or CD4000 CMOS.

Typical Performance Curves $V_{CC} = 3.3V$, $T_A = 25^{\circ}C$

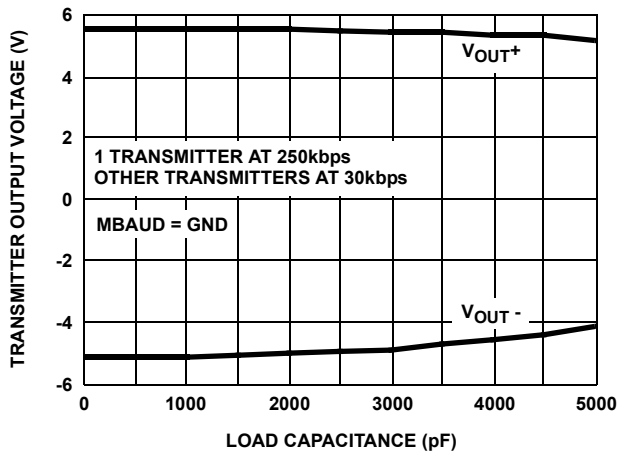


FIGURE 8. LOW SPEED TRANSMITTER OUTPUT VOLTAGE vs LOAD CAPACITANCE

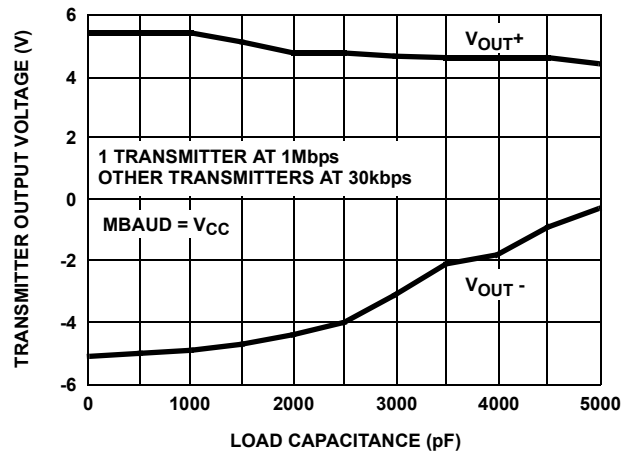


FIGURE 9. HIGH SPEED TRANSMITTER OUTPUT VOLTAGE vs LOAD CAPACITANCE

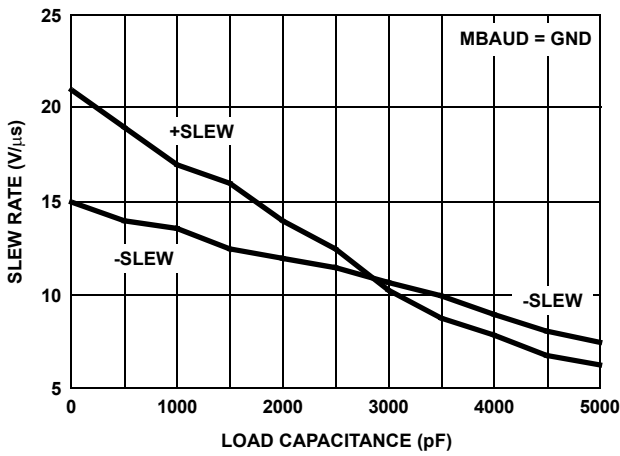


FIGURE 10. LOW SPEED SLEW RATE vs LOAD CAPACITANCE

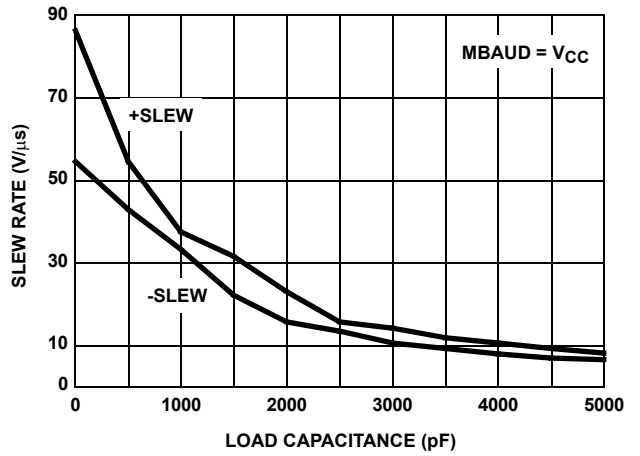


FIGURE 11. HIGH SPEED SLEW RATE vs LOAD CAPACITANCE

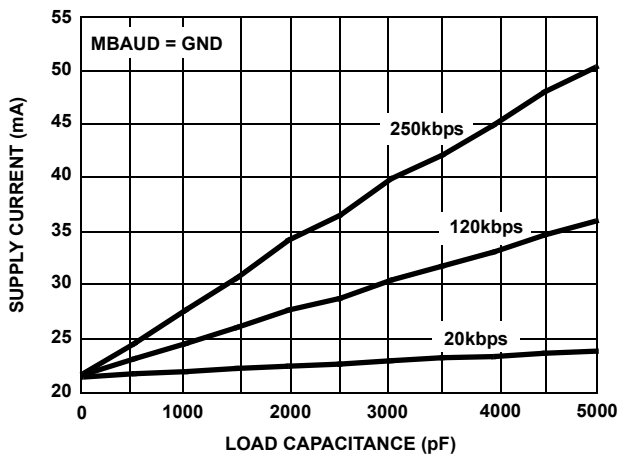


FIGURE 12. LOW SPEED SUPPLY CURRENT vs LOAD CAPACITANCE WHEN TRANSMITTING DATA

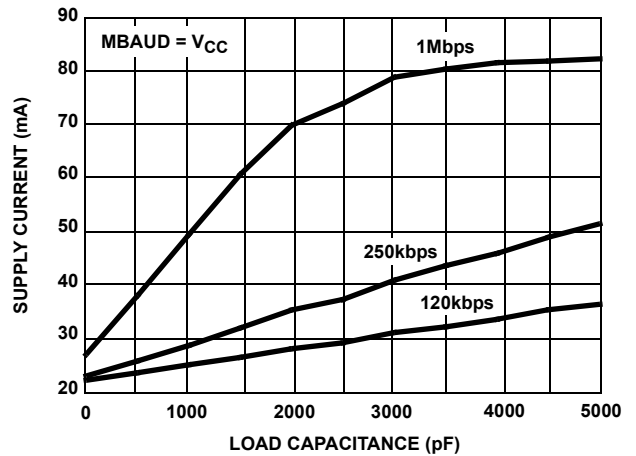


FIGURE 13. HIGH SPEED SUPPLY CURRENT vs LOAD CAPACITANCE WHEN TRANSMITTING DATA

Typical Performance Curves $V_{CC} = 3.3V, T_A = 25^{\circ}C$ (Continued)

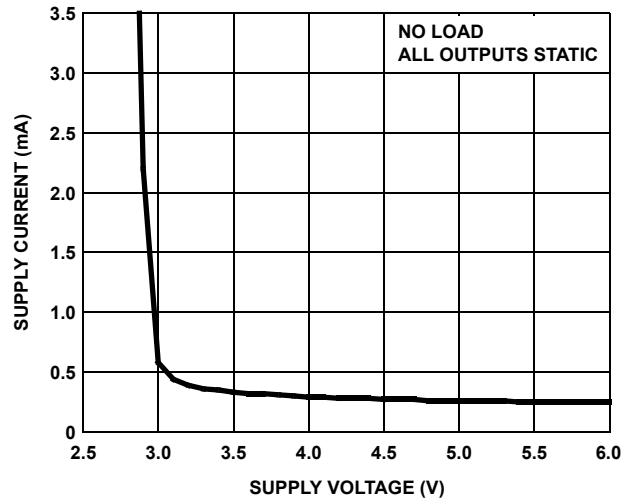


FIGURE 14. SUPPLY CURRENT vs SUPPLY VOLTAGE

Die Characteristics

SUBSTRATE POTENTIAL (POWERED UP)

GND

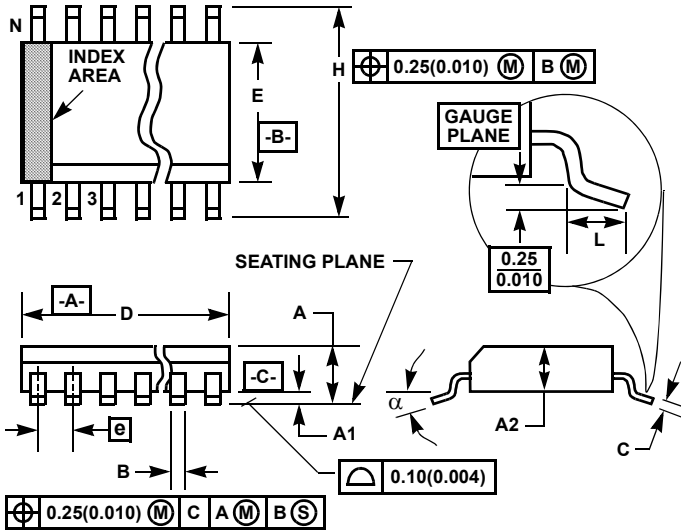
TRANSISTOR COUNT

619

PROCESS

Si Gate CMOS

Shrink Small Outline Plastic Packages (SSOP)



M28.209 (JEDEC MO-150-AH ISSUE B)
28 LEAD SHRINK SMALL OUTLINE PLASTIC PACKAGE

SYMBOL	INCHES		MILLIMETERS		NOTES
	MIN	MAX	MIN	MAX	
A	-	0.078	-	2.00	-
A1	0.002	-	0.05	-	-
A2	0.065	0.072	1.65	1.85	-
B	0.009	0.014	0.22	0.38	9
C	0.004	0.009	0.09	0.25	-
D	0.390	0.413	9.90	10.50	3
E	0.197	0.220	5.00	5.60	4
e	0.026 BSC		0.65 BSC		-
H	0.292	0.322	7.40	8.20	-
L	0.022	0.037	0.55	0.95	6
N	28		28		7
α	0°	8°	0°	8°	-

Rev. 2 6/05

NOTES:

1. Symbols are defined in the "MO Series Symbol List" in Section 2.2 of Publication Number 95.
2. Dimensioning and tolerancing per ANSI Y14.5M-1982.
3. Dimension "D" does not include mold flash, protrusions or gate burrs. Mold flash, protrusion and gate burrs shall not exceed 0.20mm (0.0078 inch) per side.
4. Dimension "E" does not include interlead flash or protrusions. Interlead flash and protrusions shall not exceed 0.20mm (0.0078 inch) per side.
5. The chamfer on the body is optional. If it is not present, a visual index feature must be located within the crosshatched area.
6. "L" is the length of terminal for soldering to a substrate.
7. "N" is the number of terminal positions.
8. Terminal numbers are shown for reference only.
9. Dimension "B" does not include dambar protrusion. Allowable dambar protrusion shall be 0.13mm (0.005 inch) total in excess of "B" dimension at maximum material condition.
10. Controlling dimension: MILLIMETER. Converted inch dimensions are not necessarily exact.

All Intersil U.S. products are manufactured, assembled and tested utilizing ISO9001 quality systems.
 Intersil Corporation's quality certifications can be viewed at www.intersil.com/design/quality

Intersil products are sold by description only. Intersil Corporation reserves the right to make changes in circuit design, software and/or specifications at any time without notice. Accordingly, the reader is cautioned to verify that data sheets are current before placing orders. Information furnished by Intersil is believed to be accurate and reliable. However, no responsibility is assumed by Intersil or its subsidiaries for its use; nor for any infringements of patents or other rights of third parties which may result from its use. No license is granted by implication or otherwise under any patent or patent rights of Intersil or its subsidiaries.

For information regarding Intersil Corporation and its products, see www.intersil.com