

DS9622

Dual Line Receiver

General Description

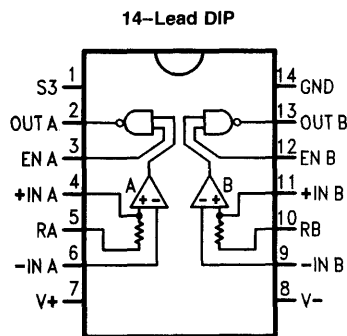
The DS9622 is a dual line receiver designed to discriminate a worst case logic swing of 2V from a $\pm 10V$ common mode noise signal or ground shift. A 1.5V threshold is built into the differential amplifier to offer a TTL compatible threshold voltage and maximum noise immunity. The offset is obtained by use of current sources and matched resistors.

The DS9622 allows the choice of output states with the input open, without affecting circuit performance by use of S3. A 130 Ω terminating resistor is provided at the input of each line receiver. An enable is also provided for each line receiver. The output is TTL compatible. The output high level can be increased to 12V by tying it to a positive supply through a resistor. The output circuits allow wired-OR operation.

Features

- TTL compatible threshold voltage
- Input terminating resistors
- Choice of output state with inputs open
- TTL compatible output
- High common mode
- Wired-OR capability
- Enable inputs
- Logic compatible supply voltages

Connection Diagram



Top View

For Complete Military 883 Specifications, see RETS Datasheet.
 Order Number DS9622ME/883,
 DS9622MJ/883 or DS9622MW/883
 See NS Package Number E20A, J14A or W14B