

# USB1T1104

## Universal Serial Bus Peripheral Transceiver with Voltage Regulator

### General Description

The USB1T1104 is an Universal Serial Bus Specification Rev 2.0 compliant transceiver. The device provides an USB interface for Full-Speed (12Mbit/s) USB applications. The USB1T1104 provides excellent flexibility, allowing differential and single ended inputs while an integrated voltage regulator sets the I/O level to 1.65V to 3.6V. Utilizing an integrated 5.0V to 3.3V voltage regulator, the part can be powered directly from the USB host ( $V_{BUS}$ ) to minimize the power consumed from the local sources while used in devices with low supply voltages.

The USB1T1104 provides 15kV ESD protection on the USB bus pins (D+/D-). This eliminates the need for any external ESD devices while providing excellent protection to larger and more expensive ASICs and USB controllers.

### Features

- Complies with Universal Serial Bus Specification 2.0
- Integrated 5V to 3.3V voltage regulator for powering VBus
- Utilizes digital inputs and outputs to transmit and receive USB cable data
- Supports full speed 12Mbits/s speed data rates
- Ideal for portable electronic devices
- 15kV contact HBM ESD protection on bus pins
- 3.3mm leadless package
- Industry standard HBCC footprint is lead-free

### Applications

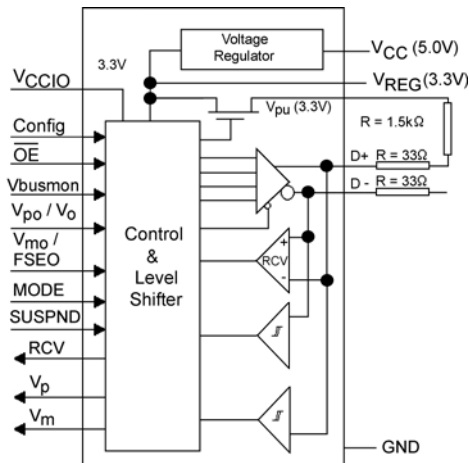
- Cell phone
- Digital camera
- MP3

### Ordering Code:

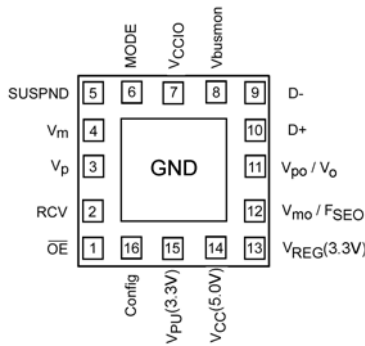
Order Number	Package Number	Package Description
USB1T1104MHX	MLP16HB	Pb-Free 16-Terminal Molded Leadless Package (MHBCC), JEDEC MO-217, 3mm Square

Pb-Free package per JEDEC J-STD-020B.

### Logic Diagram



## Connection Diagram



(Bottom View)

## Terminal Descriptions

Terminal Number	Terminal Name	I/O	Terminal Description
1	$\overline{OE}$	I	Output Enable: Active LOW enables the transceiver to transmit data on the bus. When not active the transceiver is in the receive mode (CMOS level is relative to $V_{CCIO}$ )
2	RCV	O	Receive Data Output: Non-inverted CMOS level output for USB differential Input (CMOS output level is relative to $V_{CCIO}$ ). Driven LOW when SUSPN is HIGH; RCV output is stable and preserved during SEO condition.
3	$V_p$	O	Single-ended D+ receiver output $V_p$ (CMOS level relative to $V_{CCIO}$ ): Used for external detection of SEO, error conditions, speed of connected device; Driven HIGH when no supply connected to $V_{CC}$ and $V_{REG}$ .
4	$V_m$	O	Single-ended D- receiver output $V_m$ (CMOS level relative to $V_{CCIO}$ ): Used for external detection of SEO, error conditions, speed of connected device; Driven HIGH when no supply connected to $V_{CC}$ and $V_{REG}$ .
5	SUSPND	I	Suspend: Enables a low power state (CMOS level is relative to $V_{CCIO}$ ). While the SUSPND pin is active (HIGH) it will drive the RCV pin to logic "0" state.
6	MODE	I	MODE input (CMOS level is relative to $V_{CCIO}$ ). A HIGH selects the differential input MODE ( $V_{po}$ , $V_{mo}$ ) whereas a LOW enables the single-ended MODE ( $V_o$ , $V_{FSEO}$ ) see Table 2 and Table 4
7	$V_{CCIO}$		Supply Voltage for digital I/O pins (1.65V to 3.6V): When not connected the D+ and D- pins are in 3-STATE. This supply bus is totally independent of $V_{CC}$ (5V) and $V_{REG}$ (3.3V).
8	Vbusmon	O	Vbus monitor output (CMOS level relative to $V_{CCIO}$ ): When $V_{bus} > 4.1V$ then $V_{busmon} = HIGH$ and when $V_{bus} < 3.6V$ then $V_{busmon} = LOW$ .
10, 9	D+, D-	A/I/O	Data +, Data -: Differential data bus conforming to the USB standard.
11	$V_{po} / V_o$	I	Driver Data Input (CMOS level is relative to $V_{CCIO}$ ); Schmitt trigger input; see Table 2 and Table 3
12	$V_{mo} / F_{SEO}$	I	Driver Data Input (CMOS level is relative to $V_{CCIO}$ ); Schmitt trigger input; see Table 2 and Table 3
13	$V_{REG}$ (3.3V)		Internal Regulator Option: Regulated supply output voltage (3.0V to 3.6V) during 5V operation; decoupling capacitor of at least 0.1 $\mu F$ is required.
14	$V_{CC}$ (5.0V)		Internal Regulator Option: Used as supply voltage input (4.0V to 5.5V); can be connected directly to USB line Vbus.
15	$V_{PU}$ (3.3V)		Pull-up Supply Voltage (3.3V $\pm$ 10%): Connect an external 1.5k $\Omega$ resistor on D+ (FS data rate); Pin function is controlled by Config input pin: Config = LOW - $V_{PU}$ (3.3V) is floating (High Impedance) for zero pull-up current. Config = HIGH - $V_{PU}$ (3.3V) = 3.3V; internally connected to $V_{REG}$ (3.3V).
16	Config	I	USB connect or disconnect software control input. Configures 3.3V to external 1.5k $\Omega$ resistor on D+ when HIGH.

Terminal Number	Terminal Name	I/O	Terminal Description
Exposed Diepad	GND	GND	GND supply down bonded to exposed diepad to be connected to the PCB GND.

## Functional Description

The USB1T1104 transceiver is designed to convert CMOS data into USB differential bus signal levels and to convert USB differential bus signal to CMOS data.

To minimize EMI and noise the outputs are edge rate controlled with the rise and fall times controlled and defined for full speed data rates. The rise, fall times are balanced between the differential pins to minimize skew.

Table 1 describes the specific pin functionality selection. Table 2, Table 3, and Table 4 describe the specific Truth Tables for Driver and Receiver operating functions.

The USB1T1104 also has the capability of various power supply configurations to support mixed voltage supply applications (see Table 5) and Power Supply Configurations and Options for detailed descriptions.

## Functional Tables

**TABLE 1. Function Select**

SUSPND	$\overline{OE}$	D+, D-	RCV	$V_p/V_m$	Function
L	L	Driving & Receiving	Active	Active	Normal Driving (Differential Receiver Active)
L	H	Receiving (Note 1)	Active	Active	Receiving
H	L	Driving	Inactive (Note 2)	Active	Driving during Suspend (Differential Receiver Inactive)
H	H	3-STATE (Note 1)	Inactive (Note 2)	Active	Low Power State

**Note 1:** Signal levels is function of connection and/or pull-up/pull-down resistors.

**Note 2:** For SUSPND = HIGH mode the differential receiver is inactive and the output RCV output is forced LOW. The out-of-suspend signaling (K) is detected via the single-ended receiver outputs of the  $V_p$  and  $V_m$  pins.

**TABLE 2. Driver Function ( $\overline{OE} = L$ ) using Differential Input Interface Mode Pin = H**

$V_{mo}$	$V_{po}$	Data
L	L	SE0 (Note 3)
L	H	Differential Logic 1
H	L	Differential Logic 0
H	H	Illegal State

**Note 3:** SE0 = Single Ended Zero

**TABLE 3. Driver Function ( $\overline{OE} = L$ ) using Single-ended Input Interface Mode Pin = L**

FSE0	$V_o$	Data
L	L	Differential Logic 0
L	H	Differential Logic 1
H	L	SE0 (Note 4)
H	H	SE0 (Note 4)

**Note 4:** SE0 = Single Ended Zero

**TABLE 4. Receiver Function ( $\overline{OE} = H$ )**

D+, D-	RCV	V <sub>p</sub>	V <sub>m</sub>
Differential Logic 1	H	H	L
Differential Logic 0	L	L	H
SE0	X	L	L
Sharing Mode	L	H	H

X = Don't Care

### Power Supply Configurations and Options

The three modes of power supply operation are:

- Normal Mode: Regulated Output

1. Regulated Output. V<sub>CCIO</sub> is connected and V<sub>CC</sub> (5.0) is connected to 5V (4.0V to 5.5V) and the internal voltage regulator then produces 3.3V for the USB connections.

For normal mode the V<sub>CCIO</sub> is an independent voltage source (1.65V to 3.6V) that is a function of the external circuit configuration.

- Sharing Mode: V<sub>CCIO</sub> is only supply connected. V<sub>CC</sub> and V<sub>REG</sub> are not connected. In this mode the D+ and D- pins are

3-STATE and the USB1T1104 allows external signals up to 3.6V to share the D+ and D- bus lines. Internally the circuitry limits leakage from D+ and D- pins (maximum 10 μA) and V<sub>CCIO</sub> such that device is in low power (suspended) state. Pins Vbusmon and RCV are forced LOW as an indication of this mode with Vbusmon being ignored during this state.

- Disable Mode: V<sub>CCIO</sub> is not connected and V<sub>CC</sub>(5V) is connected. In this mode the D+ and D- pins are 3-STATE and the device is in low power state.

A summary of the Supply Configurations is described in Table 5.

**TABLE 5. Power Supply Configuration Options**

Pins	Power Supply Mode Configuration		
	Sharing	Disable	Normal (Regulated Output)
V <sub>CC</sub> (5V)	< 3.6V	Connected to 5V Source	Connected to 5V Source
V <sub>REG</sub> (3.3V)	Pulled LOW Regulator OFF	3.3V, 300 μA Regulated Output	3.3V, 300 μA Regulated Output
V <sub>CCIO</sub>	1.65V to 3.6V Source	Not Connected	1.65V to 3.6V Source
V <sub>PU</sub> (3.3V)	3-STATE (Off)	3-STATE (Off)	3.3V Available if Config = HIGH
D+, D-	3-STATE	3-STATE	Function of Mode Set Up
V <sub>p</sub> , V <sub>m</sub>	H	Invalid	Function of Mode Set Up
RCV	L	Invalid	Function of Mode Set Up
OE, SUSPND, Config, V <sub>po</sub> /V <sub>o</sub> , V <sub>mo</sub> /F <sub>SEO</sub> , MODE	Hi-Z	Hi-Z	Function of Mode Set Up

**Note 5:** Hi-Z or forced LOW.

## Absolute Maximum Ratings (Note 6)

Supply Voltage ( $V_{CC}$ )(5V)	-0.5V to +6.0V
I/O Supply Voltage ( $V_{CCIO}$ )	-0.5V to +4.6V
Latch-up Current ( $I_{LU}$ )	
$V_I = -1.8V$ to +5.4V	150 mA
DC Input Current ( $I_{IK}$ )	
$V_I < 0$	-18 mA
DC Input Voltage ( $V_I$ )	
(Note 7)	-0.5V to $V_{CCIO} + 0.5V$
DC Output Diode Current ( $I_{OK}$ )	
$V_O > V_{CC}$ or $V_O < 0$	$\pm 18$ mA
DC Output Voltage ( $V_O$ )	
(Note 7)	-0.5V to $V_{CCIO} + 0.5V$
Output Source or Sink Current ( $I_O$ )	
$V_O = 0$ to $V_{CC}$	
Current for D+, D- Pins	$\pm 12$ mA
Current for RCV, $V_m/V_p$	$\pm 12$ mA
DC $V_{CC}$ or GND Current	
( $I_{CC}$ , $I_{GND}$ )	$\pm 100$ mA
ESD Immunity Voltage ( $V_{ESD}$ ):	
Contact HBM	
Pins D+, D-, and GND	15kV
All Other Pins	2.5kV
Storage Temperature ( $T_{STO}$ )	-40°C to + 125°C
Power Dissipation ( $P_{TOT}$ )	
$I_{CC}$ (5V)	48 mW
$I_{CCIO}$	9 mW

## Recommended Operating Conditions

DC Supply Voltage $V_{CC}$ (5V)	4.0V to 5.5V
I/O DC Voltage $V_{CCIO}$	1.65V to 3.6V
DC Input Voltage Range ( $V_I$ )	0V to $V_{CCIO} + 0.5V$
DC Input Range for A/I/O ( $V_{IA/O}$ )	0V to 3.6V
Pins D+ and D-	0V to 3.6V
Operating Ambient Temperature	
( $T_{AMB}$ )	-40°C to +85°C

**Note 6:** The Absolute Maximum Ratings are those values beyond which the safety of the device cannot be guaranteed. The device should not be operated at these limits. The parametric values defined in the Electrical Characteristic tables are not guaranteed at the absolute maximum rating. The "Recommended Operating Conditions" table will define the conditions for actual device operation.

**Note 7:** IO Absolute Maximum Rating must be observed.

## DC Electrical Characteristics (Supply Pins)

Over recommended range of supply voltage and operating free air temperature (unless otherwise noted).  
 $V_{CC}$  (5V) = 4.0V to 5.5V or  $V_{REG}$  (3.3V) = 3.0V to 3.6V,  $V_{CCIO}$  = 1.65V to 3.6V

Symbol	Parameter	Conditions	Limits			Units
			-40°C to +85°C			
			Min	Typ	Max	
$V_{REG}$ (3.3V)	Regulated Supply Output	Internal Regulator Option; $I_{LOAD} \leq 300 \mu A$	3.0 (Note 8)(Note 9)	3.3	3.6	V
$I_{CC}$	Operating Supply Current ( $V_{CC}$ 5.0)	Transmitting and Receiving at 12 Mbits/s; $C_{LOAD} = 50$ pF (D+, D-)		4.0 (Note 10)	8.0	mA
$I_{CCIO}$	I/O Operating Supply Current	Transmitting and Receiving at 12 Mbits/s		1.0 (Note 10)	2.0	mA
$I_{CC}$ (IDLE)	Supply Current during FS IDLE and SE0 ( $V_{CC}$ 5.0)	IDLE: $V_{D+} \geq 2.7V$ , $V_{D-} \leq 0.3V$ ; SE0: $V_{D+} \leq 0.3V$ , $V_{D-} \leq 0.3V$			500 (Note 11)	$\mu A$
$I_{CCIO}$ (STATIC)	I/O Static Supply Current	IDLE, SUSPND or SE0			20.0	$\mu A$
$I_{CC}$ (SUSPND)	Suspend Supply Current USB1T1104	SUSPND = HIGH $\overline{OE} = HIGH$ $V_m = V_p = OPEN$			25.0 (Note 11)	$\mu A$
$I_{CCIO}$ (SHARING)	I/O Sharing Mode Supply Current	$V_{CC}$ (5V) Not Connected			20.0	$\mu A$

### DC Electrical Characteristics (Continued)

Symbol	Parameter	Conditions	Limits			Units
			-40°C to +85°C			
			Min	Typ	Max	
$I_{Dz(Sharing)}$	Sharing Mode Load Current on D+/D- Pins	$V_{CC}$ (5V) Not Connected Config = LOW; $V_{Dz} = 3.6V$			10.0	$\mu A$
$V_{CCTh}$	$V_{CC}$ Threshold Detection Voltage	$1.65V \leq V_{CCIO} \leq 3.6V$				V
		Supply Lost			3.6	
		Supply Present	4.1			
$V_{CCHys}$	$V_{CC}$ Threshold Detection Hysteresis Voltage	$V_{CCIO} = 1.8V$		70.0		mV
$V_{CCIOTh}$	$V_{CCIO}$ Threshold Detection Voltage	$2.7V \leq V_{REG} \leq 3.6V$				V
		Supply Lost			0.5	
		Supply Present	1.4			
$V_{CCIOHys}$	$V_{CCIO}$ Threshold Detection Hysteresis Voltage	$V_{REG} = 3.3V$		450		mV

**Note 8:**  $I_{LOAD}$  includes the pull-up resistor current via pin  $V_{PU}$

**Note 9:** The minimum voltage in Suspend mode is 2.7V.

**Note 10:** Not tested in production, value based on characterization.

**Note 11:** Excludes any current from load and  $V_{PU}$  current to the 1.5k $\Omega$  resistor.

**Note 12:** Includes current between  $V_{pu}$  and the 1.5k internal pull-up resistor.

**Note 13:** When  $V_{CCIO} < 2.7V$ , minimum value for  $V_{REGTh} = 2.0V$  for supply present condition.

### DC Electrical Characteristics (Digital Pins – excludes D+, D- Pins)

Over recommended range of supply voltage and operating free air temperature (unless otherwise noted).  $V_{CCIO} = 1.6V$  to 3.6V

Symbol	Parameter	Test Conditions	Limits		Units
			-40°C to +85°C		
			Min	Max	
<b>Input Levels</b>					
$V_{IL}$	LOW Level Input Voltage			0.3	V
$V_{IH}$	HIGH Level Input Voltage		$0.6 \cdot V_{CCIO}$		V
$V_{Hys}$	Hysteresis Voltage P11 + P12	Pins $V_{p0}/V_{m0}$ , $V_{CCIO} = 3.3V$	0.30	0.7	V
<b>Output Levels</b>					
$V_{OL}$	LOW Level Output Voltage	$I_{OL} = 2\text{ mA}$		0.4	V
		$I_{OL} = 100\ \mu A$		0.15	
$V_{OH}$	HIGH Level Output Voltage	$I_{OH} = 2\text{ mA}$	$V_{CCIO} - 0.4$		V
		$I_{OH} = 100\ \mu A$	$V_{CCIO} - 0.15$		
<b>Leakage Current</b>					
$I_{LI}$	Input Leakage Current	$V_{CCIO} = 1.65V$ to 3.6V		$\pm 1.0$ (Note 14)	$\mu A$
<b>Capacitance</b>					
$C_{IN}, C_{IO}$	Input Capacitance	Pin to GND		10.0	pF

**Note 14:** If  $V_{CCIO} \geq V_{REG}$  then leakage current will be higher than specified.

## DC Electrical Characteristics (Analog I/O Pins – D+, D– Pins)

Over recommended range of supply voltage and operating free air temperature (unless otherwise noted).  $V_{CC} = 4.0V$  to  $5.5V$  or  $V_{REG} = 3.0V$  to  $3.6V$

Symbol	Parameter	Test Condition	Limits			Units
			–40°C to +85°C			
			Min	Typ	Max	
<b>Input Levels – Differential Receiver</b>						
$V_{DI}$	Differential Input Sensitivity	$ V_{I(D+)} - V_{I(D-)} $	0.2			V
$V_{CM}$	Differential Common Mode Voltage		0.8		2.5	V
<b>Input Levels – Single-ended Receiver</b>						
$V_{IL}$	LOW Level Input Voltage				0.8	V
$V_{IH}$	HIGH Level Input Voltage		2.0			V
$V_{HYS}$	Hysteresis Voltage		0.4		0.7	V
<b>Output Levels</b>						
$V_{OL}$	LOW Level Output Voltage	$R_L = 1.5k\Omega$ to $3.6V$			0.3	V
$V_{OH}$	HIGH Level Output Voltage	$R_L = 15k\Omega$ to GND	2.8 (Note 15)		3.6	V
<b>Leakage Current</b>						
$I_{LZ}$	Input Leakage Current Off State	$\overline{OE} = H$			$\pm 1.0$	$\mu A$
<b>Capacitance</b>						
$C_{I/O}$	I/O Capacitance	Pin to GND			20.0	pF
<b>Resistance</b>						
$Z_{DRV}$	Driver Output Impedance		34.0	41.0 (Note 16)	44.0	$\Omega$
$Z_{IN}$	Driver Input Impedance		10.0			$M\Omega$
$R_{SW}$	Switch Resistance				10.0	$\Omega$
$V_{TERM}$	Termination Voltage	$R_{PU}$ Upstream Port	3.0 (Note 17) (Note 18)		3.6	V

**Note 15:**  $V_{OH \text{ min.}} = V_{REG} - 0.2V$ .

**Note 16:** Includes external resistors of  $29\Omega$  on both D+ and D– pins.

**Note 17:** This voltage is available at pin  $V_{PU}$  and  $V_{REG}$ .

**Note 18:** Minimum voltage is  $2.7V$  in the suspend mode.

## AC Electrical Characteristics (A I/O Pins Full Speed)

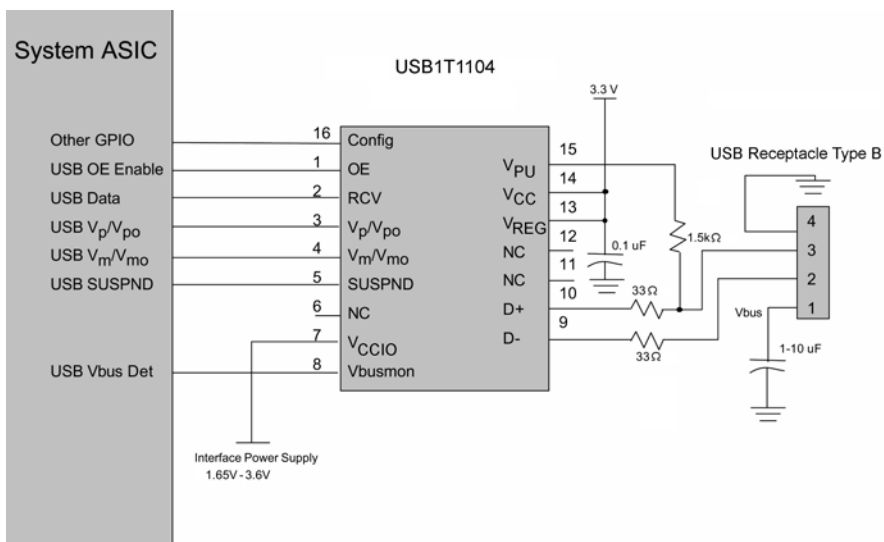
Over recommended range of supply voltage and operating free air temperature (unless otherwise noted).  
 $V_{CC} = 4.0V$  to  $5.5V$  or  $V_{REG} = 3.0V$  to  $3.6V$ ,  $V_{CCIO} = 1.65V$  to  $3.6V$ ,  $C_L = 50$  pF;  $R_L = 1.5K$  on D+ to  $V_{PU}$

Symbol	Parameter	Test Conditions	Limits			Unit
			-40°C to +85°C			
			Min	Typ	Max	
<b>Driver Characteristics</b>						
$t_{FR}$	Output Rise Time	$C_L = 50 - 125$ pF 10% to 90%	4.0		20.0	ns
$t_{FF}$	Output Fall Time	Figures 1, 5	4.0		20.0	ns
$f_{RFM}$	Rise/Fall Time Match	$t_F / t_R$ Excludes First Transition from Idle State	90.0		111.1	%
$V_{CRS}$ (Note 19)	Output Signal Crossover Voltage	Excludes First Transition from Idle State see Waveform	1.3		2.0	V
<b>Driver Timing</b>						
$t_{PLH}$	Propagation Delay	Figures 2, 5			18.0	ns
$t_{PHL}$	( $V_P/V_{PO}$ , $V_M/V_{MO}$ to D+/D-)					
$t_{PHZ}$	Driver Disable Delay	Figures 4, 6			15.0	ns
$t_{PLZ}$	( $\overline{OE}$ to D+/D-)					
$t_{PZH}$	Driver Enable Delay	Figures 4, 6			15.0	ns
$t_{PZL}$	( $\overline{OE}$ to D+/D-)					
<b>Receiver Timing</b>						
$t_{PLH}$	Propagation Delay (Diff)	Figures 3, 7			15.0	ns
$t_{PHL}$	(D+/D- to Rev)					
$t_{PLH}$	Single Ended Receiver Propagation Delay	Figures 3, Figure 7			18.0	ns
$t_{PHL}$	(D+/D- to $V_P/V_{PO}$ , $V_M/V_{MO}$ )					

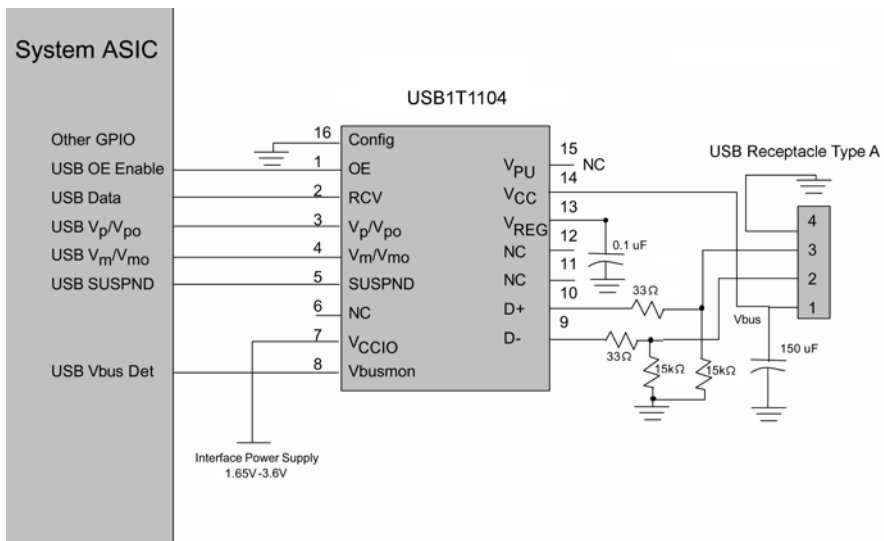
**Note 19:** Not production tested, guaranteed by characterization.



## Typical Application Configurations



Upstream Connection in Bypass Mode with Differential Outputs



Downstream Connection in Normal Mode with Differential Outputs

### AC Waveforms

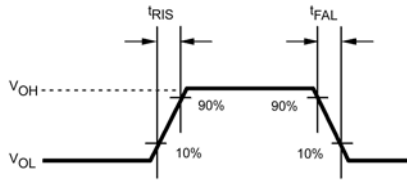


FIGURE 1. Rise and Fall Times

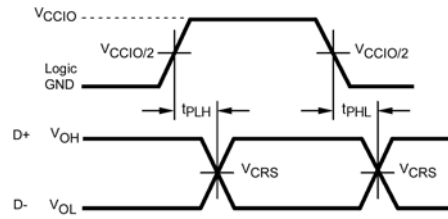


FIGURE 2.  $V_{po}/V_o$ ,  $V_{mo}/V_{SEO}$  to D+/D-

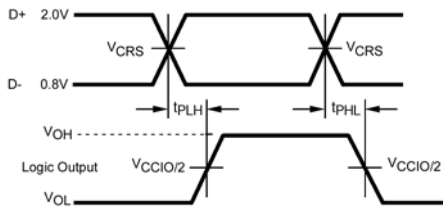


FIGURE 3. D+/D- to  $R_{CV}$ ,  $V_p$  and  $V_m$

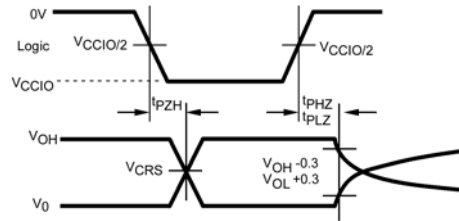
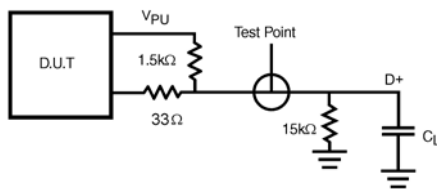


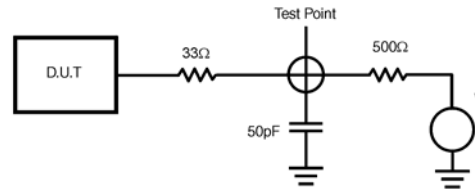
FIGURE 4.  $\overline{O_E}$  to D+/D-

### Test Circuits and Waveforms



$C_L = 50 \text{ pF}$  Full Speed Propagation Delays  
 $C_L = -125 \text{ pF}$  Edge Rates only

FIGURE 5. Load for D+/D-



$V = 0$  for  $t_{PZH}$ ,  $t_{PHZ}$   
 $V = V_{REG}$  for  $t_{PZL}$

FIGURE 6. Load for Enable and Disable Times

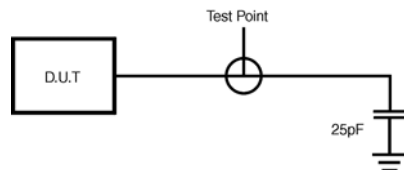


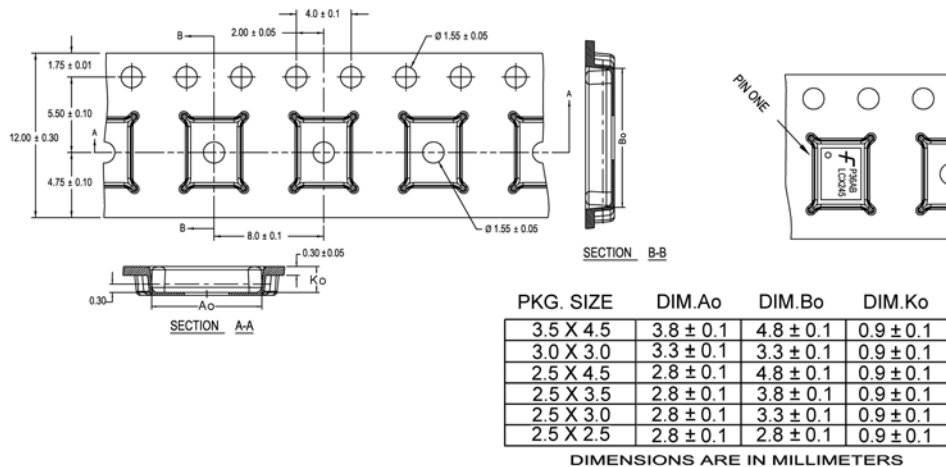
FIGURE 7. Load for  $V_m/V_{mo}$ ,  $V_p/V_{po}$  and  $R_{CV}$

# Tape and Reel Specification

## Tape Format for MHBCC

Package Designator	Tape Section	Number Cavities	Cavity Status	Cover Tape Status
MHX	Leader (Start End)	125 (typ)	Empty	Sealed
	Carrier	2500/3000	Filled	Sealed
	Trailer (Hub End)	75 (typ)	Empty	Sealed

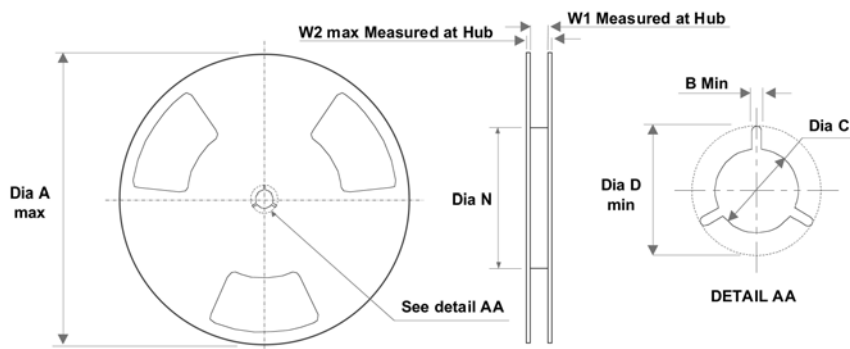
## TAPE DIMENSIONS inches (millimeters)



NOTES: unless otherwise specified

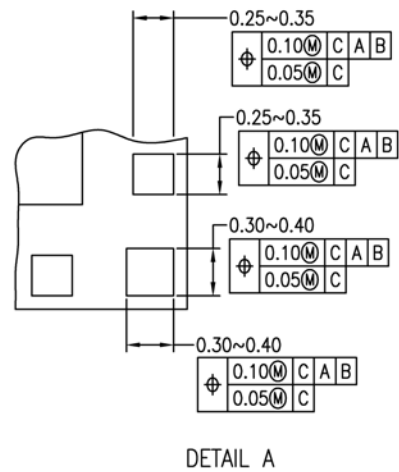
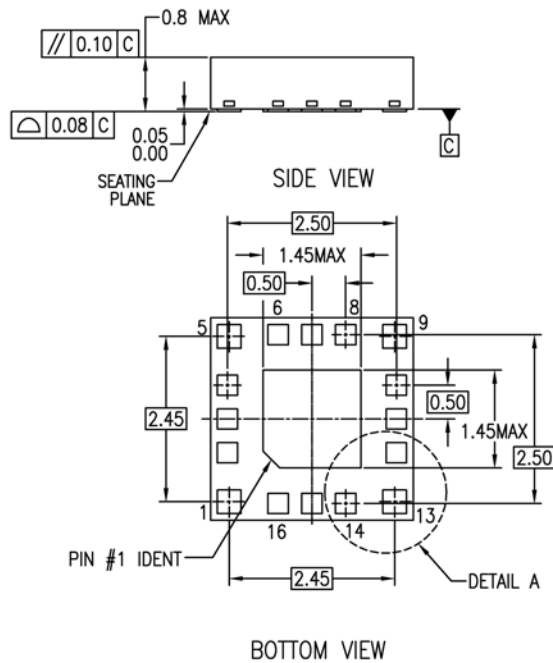
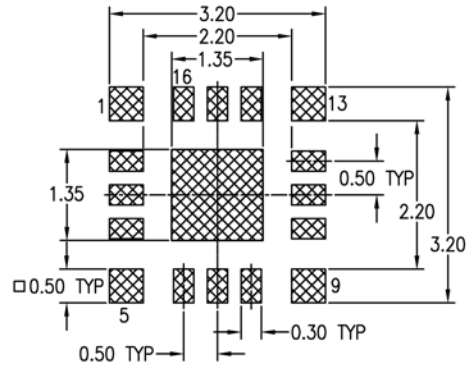
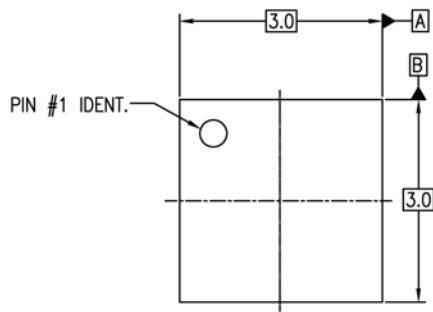
1. Cumulative pitch for feeding holes and cavities (chip pockets) not to exceed 0.008[0.20] over 10 pitch span.
2. Smallest allowable bending radius.
3. Thru hole inside cavity is centered within cavity.
4. Tolerance is ±0.002[0.05] for these dimensions on all 12mm tapes.
5. Ao and Bo measured on a plane 0.120[0.30] above the bottom of the pocket.
6. Ko measured from a plane on the inside bottom of the pocket to the top surface of the carrier.
7. Pocket position relative to sprocket hole measured as true position of pocket. Not pocket hole.
8. Controlling dimension is millimeter. Dimension in inches rounded.

## REEL DIMENSIONS inches (millimeters)



Tape Size	A	B	C	D	N	W1	W2
12 mm	13.0	0.059	0.512	0.795	7.008	0.488	0.724
	330	(1.50)	(13.00)	(20.20)	(178)	(12.4)	(18.4)

**Physical Dimensions** inches (millimeters) unless otherwise noted



NOTES:

- A. SIMILAR TO JEDEC REGISTRATION MO-217, DATED 11/2001
- B. DIMENSIONS ARE IN MILLIMETERS.
- C. DIMENSIONS AND TOLERANCES PER ASME Y14.5M, 1994

MLP16HBrevA

**Pb-Free 16-Terminal Molded Leadless Package (MHBCC), JEDEC MO-217, 3mm Square Package Number MLP16HB**

## DISCLAIMER

FAIRCHILD SEMICONDUCTOR RESERVES THE RIGHT TO MAKE CHANGES WITHOUT FURTHER NOTICE TO ANY PRODUCTS HEREIN TO IMPROVE RELIABILITY, FUNCTION OR DESIGN. FAIRCHILD DOES NOT ASSUME ANY LIABILITY ARISING OUT OF THE APPLICATION OR USE OF ANY PRODUCT OR CIRCUIT DESCRIBED HEREIN; NEITHER DOES IT CONVEY ANY LICENSE UNDER ITS PATENT RIGHTS, NOR THE RIGHTS OF OTHERS.

## LIFE SUPPORT POLICY

FAIRCHILD'S PRODUCTS ARE NOT AUTHORIZED FOR USE AS CRITICAL COMPONENTS IN LIFE SUPPORT DEVICES OR SYSTEMS WITHOUT THE EXPRESS WRITTEN APPROVAL OF FAIRCHILD SEMICONDUCTOR CORPORATION

As used herein:

1. Life support devices or systems are devices or systems which, (a) are intended for surgical implant into the body, or (b) support or sustain life, or (c) whose failure to perform when properly used in accordance with instructions for use

provided in the labeling, can be reasonably expected to result in significant injury to the user.

2. A critical component is any component of a life support device or system whose failure to perform can be reasonably expected to cause the failure of the life support device or system, or to affect its safety or effectiveness.

## PRODUCT STATUS DEFINITIONS

Definition of terms

Datasheet Identification	Product Status	Definition
Advance Information	Formative or In Design	This datasheet contains the design specifications for product development. Specifications may change in any manner without notice.
Preliminary	First Production	This datasheet contains preliminary data, and supplementary data will be published at a later date. Fairchild Semiconductor reserves the right to make changes at any time without notice in order to improve design.
No Identification Needed	Full Production	This datasheet contains final specifications. Fairchild Semiconductor reserves the right to make changes at any time without notice in order to improve design.
Obsolete	Not In Production	This datasheet contains specifications on a product that has been discontinued by Fairchild Semiconductor. The datasheet is printed for reference information only.