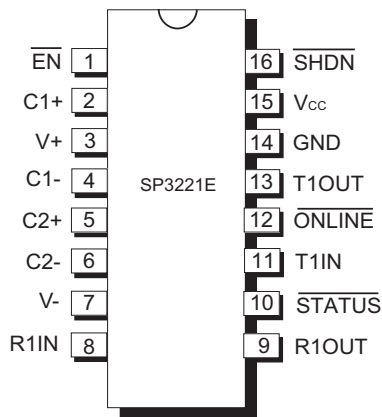


**SP3221E**

Intelligent +3.0V to +5.5V RS-232 Transceiver

FEATURES

- Meets true EIA/TIA-232-F Standards from a +3.0V to +5.5V power supply
- Interoperable with EIA/TIA-232 and adheres to EIA/TIA-562 down to a +2.7V power source
- AUTO ON-LINE® circuitry automatically wakes up from a 1 μ A typical shutdown
- Minimum 250kbps data rate under load
- Regulated charge pump yields stable RS-232 outputs regardless of V_{CC} variations
- ESD specifications:
 - ±15KV Human Body Model
 - ±15KV IEC61000-4-2 Air Discharge
 - ±8KV IEC61000-4-2 Contact Discharge



DESCRIPTION

The **SP3221E** is an RS-232 transceiver solution intended for portable applications such as notebook and hand held computers. This device uses an internal high-efficiency, charge-pump power supply that requires only 0.1 μ F capacitors in 3.3V operation. This charge pump and **MaxLinear's** driver architecture allow the **SP3221E** to deliver compliant RS-232 performance from a single power supply ranging from +3.0V to +5.5V. The **SP3221E** is a 1-driver/1-receiver device ideal for laptop/notebook computer and PDA applications. The **SP3221E** is offered in 16 pin TSSOP and SSOP packages.

The AUTO ON-LINE® feature allows the device to automatically "wake-up" during a shutdown state when an RS-232 cable is connected and a connected peripheral is turned on. Otherwise, the device automatically shuts itself down drawing less than 1 μ A.

SELECTION TABLE

Device	Power Supplies	RS- 232 Drivers	RS-232 Receivers	AUTO ON-LINE ®	TTL 3-state	Data Rate (kbps)
SP3221E	+3.0V to +5.5V	1	1	YES	YES	250

ABSOLUTE MAXIMUM RATINGS

These are stress ratings only and functional operation of the device at these ratings or any other above those indicated in the operation sections of the specifications below is not implied. Exposure to absolute maximum rating conditions for extended periods of time may affect reliability and cause permanent damage to the device.

V _{CC}	-0.3V to +6.0V
V+ (NOTE 1).....	-0.3V to +7.0V
V- (NOTE 1).....	+0.3V to -7.0V
V+ + V- (NOTE 1).....	+13V
I _{CC} (DC V _{CC} or GND current).....	±100mA
Input Voltages	
TxIN, ONLINE, SHUTDOWN, EN.....	-0.3V to V _{CC} + 0.3V
RxIN.....	+25V

Output Voltages

TxOUT.....	±13.2V
RxOUT, STATUS.....	-0.3V to (V _{CC} + 0.3V)

Short-Circuit Duration

TxOUT.....	Continuous
Storage Temperature.....	-65°C to +150°C

Power Dissipation per package

16-pin TSSOP	
Theta-JA.....	100.4°C/W
Theta-JC.....	19°C/W
16-pin SSOP	
Theta-JA.....	87°C/W
Theta-JC.....	26°C/W

NOTE 1: V+ and V- can have maximum magnitudes of 7V, but their absolute difference cannot exceed 13V.

ELECTRICAL CHARACTERISTICS

Unless otherwise noted, the following specifications apply for V_{CC} = +3.0V to +5.5V with T_{AMB} = T_{MIN} to T_{MAX}. Typical values apply at V_{CC} = +3.3V or +5.0V and T_{AMB} = 25°C (Note 2).

PARAMETER	MIN.	TYP.	MAX.	UNITS	CONDITIONS
DC CHARACTERISTICS					
Supply Current, AUTO ON-LINE®		1.0	10	μA	RxIN open, $\overline{\text{ONLINE}} = \text{GND}$, $\overline{\text{SHUTDOWN}} = \text{V}_{\text{CC}}$, TxIN = V _{CC} or GND, V _{CC} = +3.3V, T _{AMB} = +25°C
Supply Current, Shutdown		1.0	10	μA	$\overline{\text{SHUTDOWN}} = \text{GND}$, TxIN = V _{CC} or GND, V _{CC} = +3.3V, T _{AMB} = +25°C
Supply Current, AUTO ON-LINE® Disabled		0.3	1.0	mA	$\overline{\text{ONLINE}} = \overline{\text{SHUTDOWN}} = \text{V}_{\text{CC}}$, No Load, V _{CC} = +3.3V, T _{AMB} = +25°C
LOGIC INPUTS AND RECEIVER OUTPUT					
Input Logic Threshold LOW HIGH	2.0		0.8	V	V _{CC} = 3.3V or 5.0V, TxIN, EN, $\overline{\text{SHUTDOWN}}$, $\overline{\text{ONLINE}}$
Input Leakage Current		+/-0.01	+/-1.0	μA	TxIN, $\overline{\text{EN}}$, $\overline{\text{ONLINE}}$, $\overline{\text{SHUTDOWN}}$, T _{AMB} = +25°C, Vin = 0V to V _{CC}
Output Leakage Current		+/-0.05	+/-10	μA	Receiver disabled, Vout = 0V to V _{CC}
Output Voltage LOW			0.4	V	I _{OUT} = 1.6mA
Output Voltage HIGH	V _{CC} - 0.6	V _{CC} - 0.1		V	I _{OUT} = -1.0mA

NOTE 2: C1 - C4 = 0.1μF, tested at 3.3V ±10%.
C1 = 0.047μF, C2-C4 = 0.33μF, tested at 5V±10%.

ELECTRICAL CHARACTERISTICS

Unless otherwise noted, the following specifications apply for $V_{CC} = +3.0V$ to $+5.5V$ with $T_{AMB} = T_{MIN}$ to T_{MAX} .
 Typical values apply at $V_{CC} = +3.3V$ or $+5.0V$ and $T_{AMB} = 25^{\circ}C$ (Note 2).

PARAMETER	MIN.	TYP.	MAX.	UNITS	CONDITIONS
DRIVER OUTPUT					
Output Voltage Swing	+/-5.0	+/-5.4		V	Driver output loaded with 3k Ω to GND, $T_{AMB} = +25^{\circ}C$
Output Resistance	300			Ω	$V_{CC} = V+ = V- = 0V$, $V_{out} = +/-2V$
Output Short-Circuit Current			+/-60	mA	$V_{out} = 0V$
Output Leakage Current			+/-25	μA	$V_{CC} = 0V$ or $3.0V$ to $5.5V$, $V_{out} = +/-12V$, Driver disabled
RECEIVER INPUT					
Input Voltage Range	-15		+15	V	
Input Threshold LOW	0.6	1.2		V	$V_{CC} = 3.3V$
Input Threshold LOW	0.8	1.5		V	$V_{CC} = 5.0V$
Input Threshold HIGH		1.5	2.4	V	$V_{CC} = 3.3V$
Input Threshold HIGH		1.8	2.4	V	$V_{CC} = 5.0V$
Input Hysteresis		0.3		V	
Input Resistance	3	5	7	k Ω	
AUTO ON-LINE® CIRCUITRY CHARACTERISTICS (ONLINE = GND, SHUTDOWN = Vcc)					
\overline{STATUS} Output Voltage LOW			0.4	V	$I_{OUT} = 1.6mA$
\overline{STATUS} Output Voltage HIGH	$V_{CC} - 0.6$			V	$I_{OUT} = -1.0mA$
Receiver Threshold to Driver Enabled (t_{ONLINE})		100		μs	Figure 13
Receiver Positive or Negative Threshold to STATUS HIGH (t_{STSH})		0.5		μs	Figure 13
Receiver Positive or Negative Threshold to STATUS LOW (t_{STSL})		20		μs	Figure 13

NOTE 2: C1 - C4 = 0.1 μF , tested at 3.3V $\pm 10\%$.
 C1 = 0.047 μF , C2-C4 = 0.33 μF , tested at 5V $\pm 10\%$.

TIMING CHARACTERISTICS

Unless otherwise noted, the following specifications apply for $V_{CC} = +3.0V$ to $+5.5V$ with $T_{AMB} = T_{MIN}$ to T_{MAX} . Typical values apply at $V_{CC} = +3.3V$ or $+5.0V$ and $T_{AMB} = 25^{\circ}C$.

PARAMETER	MIN.	TYP.	MAX.	UNITS	CONDITIONS
AC CHARACTERISTICS					
Data Rate	250			kbps	$R_L = 3k\Omega$, $C_L = 1000pF$,
Receiver Propagation Delay t_{PHL} and t_{PLH}		0.15		μs	Receiver input to Receiver output, $C_L = 150pF$
Receiver Output Enable Time		200		ns	Normal Operation
Receiver Output Disable Time		200		ns	Normal Operation
Driver Skew		350	800	ns	$ t_{PHL} - t_{PLH} $, $R_L = 3k\Omega$, $C_L = 1000pF$
Receiver Skew		50	800	ns	$ t_{PHL} - t_{PLH} $, $C_L = 150pF$
Transition-Region Slew Rate	6		30	V/ μs	$V_{CC} = 3.3V$, $R_L = 3k\Omega$, $C_L = 150pF$ to $1000pF$, $T_{AMB} = 25^{\circ}C$, measurements taken from $-3.0V$ to $+3.0V$ or $+3.0V$ to $-3.0V$

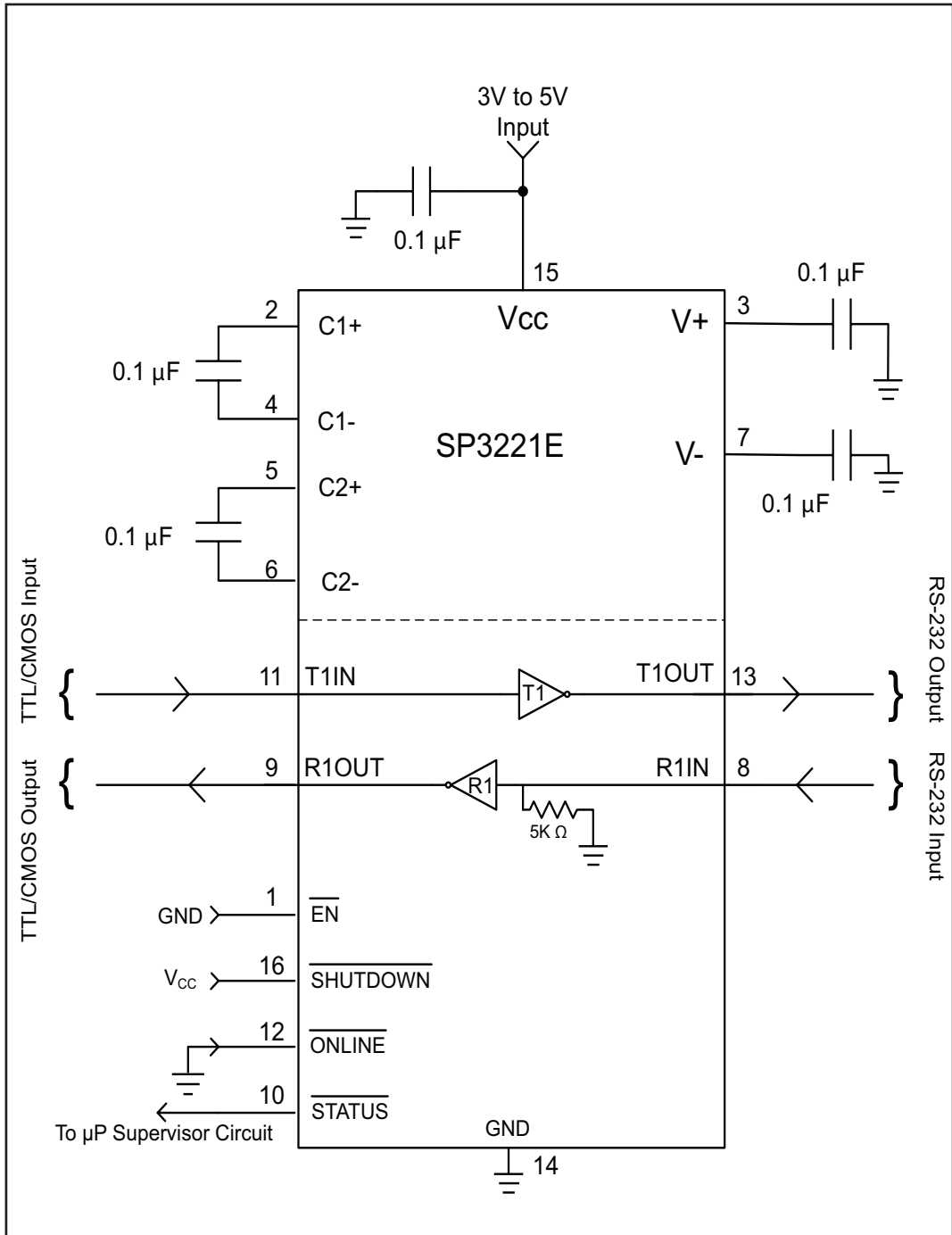


Figure 1. SP3221E Typical Operating Circuit (*)
 (*) Either polarized or non polarized capacitors may be used.

TYPICAL PERFORMANCE CHARACTERISTICS

Unless otherwise noted, the following performance characteristics apply for $V_{CC} = +3.3V$, 250Kbps data rate, driver loaded with $3k\Omega$, $0.1\mu F$ charge pump capacitors, and $T_{AMB} = +25^{\circ}C$.

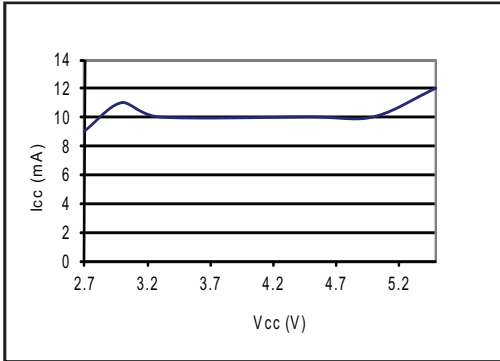


Figure 2. Supply Current VS. Supply Voltage

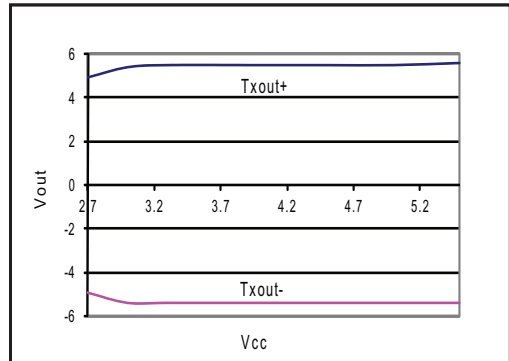


Figure 3. Transmitter Output Voltage VS. Supply Voltage

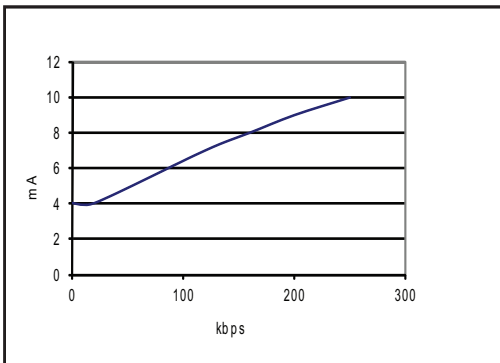


Figure 4. Supply Current VS. Data Rate

Name	Function	Pin #
$\overline{\text{EN}}$	Receiver Enable, apply logic LOW for normal operation. Apply logic HIGH to disable receiver output (high-Z state).	1
C1+	Positive terminal of the voltage doubler charge-pump capacitor	2
V+	Regulated +5.5V output generated by charge pump	3
C1-	Negative terminal of the voltage doubler charge-pump capacitor	4
C2+	Positive terminal of the inverting charge-pump capacitor	5
C2-	Negative terminal of the inverting charge-pump capacitor	6
V-	Regulated -5.5V output generated by charge pump	7
R _I IN	RS-232 receiver input	8
R _I OUT	TTL/CMOS receiver output	9
$\overline{\text{STATUS}}$	TTL/CMOS output indicating receiver signal activity	10
T _I IN	TTL/CMOS driver input	11
$\overline{\text{ONLINE}}$	Apply logic HIGH to override AUTO ON-LINE © circuitry keeping driver active (SHUTDOWN must also be logic HIGH, refer to table 2)	12
T _I OUT	RS-232 driver output	13
GND	Ground	14
Vcc	+3.0V to +5.5V supply voltage	15
$\overline{\text{SHUTDOWN}}$	Apply logic LOW to shut down drivers and charge pump. This overrides all AUTO ON-LINE © circuitry and $\overline{\text{ONLINE}}$ (refer to table 2).	16

DESCRIPTION

The **SP3221E** is a 1-driver/1-receiver device ideal for portable or handheld applications. The **SP3221E** transceiver meets the EIA/TIA-232 and ITU-T V.28/V.24 communication protocols and can be implemented in battery-powered, portable, or handheld applications such as notebook or handheld computers. The **SP3221E** device features the **MaxLinear** proprietary and patented (U.S.-- 5,306,954) on-board charge pump circuitry that generates $\pm 5.5V$ RS-232 voltage levels from a single +3.0V to +5.5V power supply.

This device is an ideal choice for power sensitive designs. Featuring **AUTO ON-LINE**[®] circuitry, the **SP3221E** reduces the power supply drain to a $1\mu A$ supply current. In many portable or handheld applications, an RS-232 cable can be disconnected or a connected peripheral can be turned off. Under these conditions, the internal charge pump and the drivers will be shut down. Otherwise, the system automatically comes online. This feature allows design engineers to address power saving concerns without major design changes.

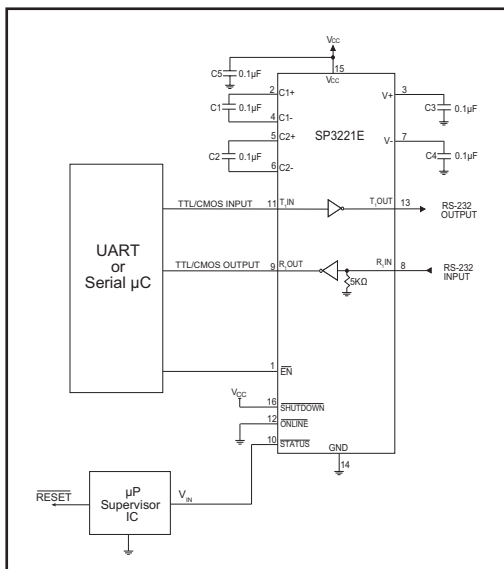


Figure 5. Interface Circuitry Controlled by Microprocessor Supervisory Circuit (*)

THEORY OF OPERATION

The **SP3221E** is made up of four basic circuit blocks:

1. Driver, 2. Receiver, 3. The MaxLinear proprietary charge pump, and 4. **AUTO ON-LINE**[®] circuitry.

Driver

The driver is an inverting level transmitter that converts TTL or CMOS logic levels to 5.0V EIA/TIA-232 levels with an inverted sense relative to the input logic levels. Typically, the RS-232 output voltage swing is $\pm 5.4V$ with no load and $\pm 5V$ minimum fully loaded. The driver output is protected against infinite short-circuits to ground without degradation in reliability. This driver will comply with the EIA-TIA-232F and all previous RS-232 versions. Unused driver inputs should be connected to GND or V_{CC} .

The driver can guarantee an output data rate of 250kbps while being fully loaded with $3k\Omega$ in parallel with $1000pF$, ensuring compatibility with PC-to-PC communication software.

The slew rate of the driver output is internally limited to a maximum of $30V/\mu s$ in order to meet the EIA standards (EIA RS-232D 2.1.7, Paragraph 5). The transition of the loaded output from HIGH to LOW also meets the monotonicity requirements of the standard.

Figure 6 shows a loopback test circuit used to test the RS-232 Driver. Figure 8 shows the test results where the driver was active at 250kbps and loaded with an RS-232 receiver in parallel with a $1000pF$ capacitor. RS-232 data transmission rate of 250kbps provides compatibility with designs in personal computer peripherals and LAN applications.

(*) Either polarized or non polarized capacitors may be used.

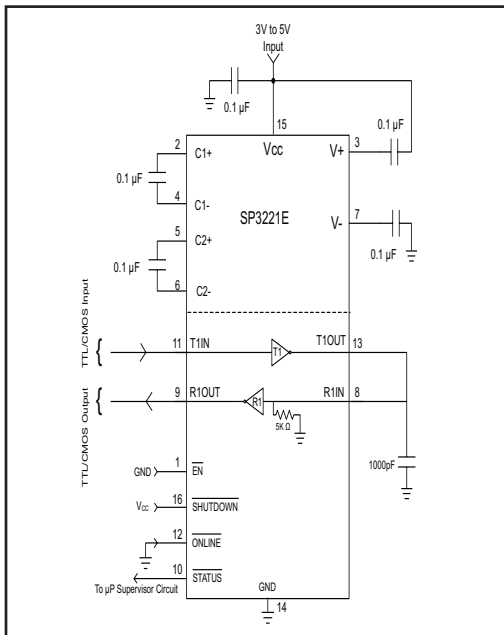


Figure 6. Loopback Test Circuit for RS-232 Driver Data Transmission Rates (*)

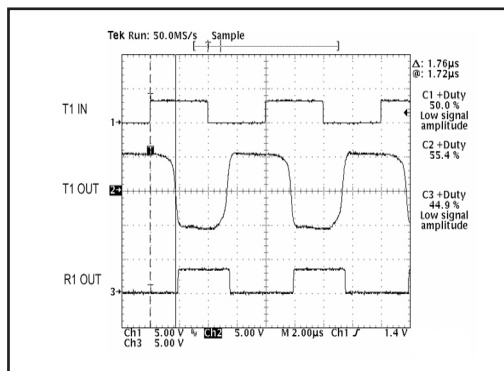


Figure 7. Loopback Test Circuit result at 250Kbps (Driver Fully Loaded)

Device: SP3221E			
SHUTDOWN	$\overline{\text{EN}}$	T _x OUT	R _x OUT
0	0	High Z	Active
0	1	High Z	High Z
1	0	Active	Active
1	1	Active	High Z

Table 2. $\overline{\text{SHUTDOWN}}$ and $\overline{\text{EN}}$ Truth Tables
 Note: In AUTOON-LINE® Mode where ONLINE = GND and SHUTDOWN = V_{CC}, the device will shut down if there is no activity present at the Receiver inputs.

Receiver

The receiver converts $\pm 5.0\text{V}$ EIA/TIA-232 levels to TTL or CMOS logic output levels. The receiver has an inverting output that can be disabled by using the EN pin.

The receiver is active when the AUTO ON-LINE® circuitry is enabled or when in shutdown. During the shutdown, the receiver will continue to be active. If there is no activity present at the receiver for a period longer than $20\mu\text{s}$ or when $\overline{\text{SHUTDOWN}}$ is enabled, the device goes into a standby mode where the circuit draws $1\mu\text{A}$. Driving $\overline{\text{EN}}$ to a logic HIGH forces the output of the receiver into high-impedance. The truth table logic of the **SP3221E** driver and receiver outputs can be found in Table 2.

Since receiver input is usually from a transmission line where long cable lengths and system interference can degrade the signal, the inputs have a typical hysteresis margin of 300mV. This ensures that the receiver is virtually immune to noisy transmission lines. Should an input be left unconnected, an internal $5\text{k}\Omega$ pull-down resistor to ground will commit the output of the receiver to a HIGH state.

(*) Either polarized or non polarized capacitors may be used.

Charge Pump

The charge pump uses a unique approach compared to older less-efficient designs. The charge pump still requires four external capacitors, but uses a four-phase voltage shifting technique to attain symmetrical 5.5V power supplies. The internal power supply consists of a regulated dual charge pump that provides output voltages of +/-5.5V regardless of input voltage (V_{CC}) over the +3.0V to +5.5V range. This is important to maintain compliant RS-232 levels regardless of power supply fluctuations.

The charge pump operates in a discontinuous mode using an internal oscillator. If the output voltages are less than a magnitude of 5.5V, the charge pump is enabled. If the output voltages exceed a magnitude of 5.5V, the charge pump is disabled. This oscillator controls the four phases of the voltage shifting. A description of each phase follows.

Phase 1

— V_{SS} charge storage — During this phase of the clock cycle, the positive side of capacitors C_1 and C_2 are initially charged to V_{CC} . C_1^+ is then switched to GND and the charge in C_1^- is transferred to C_2^- . Since C_2^+ is connected to V_{CC} , the voltage potential across capacitor C_2 is now 2 times V_{CC} .

Phase 2

— V_{SS} transfer — Phase two of the clock connects the negative terminal of C_2 to the V_{SS} storage capacitor and the positive terminal of C_2 to GND. This transfers a negative generated voltage to C_3 . This generated voltage is regulated to a minimum voltage of -5.5V. Simultaneous with the transfer of the voltage to C_3 , the positive side of capacitor C_1 is switched to V_{CC} and the negative side is connected to GND.

Phase 3

— V_{DD} charge storage — The third phase of the clock is identical to the first phase — the charge transferred in C_1 produces $-V_{CC}$ in the negative terminal of C_1 , which is applied to the negative side of capacitor C_2 . Since C_2^+ is at V_{CC} , the voltage potential across C_2 is 2 times V_{CC} .

Phase 4

— V_{DD} transfer — The fourth phase of the clock connects the negative terminal of C_2 to GND, and transfers this positive generated voltage across C_2 to C_4 , the V_{DD} storage capacitor. This voltage is regulated to +5.5V. At this voltage, the internal oscillator is disabled. Simultaneous with the transfer of the voltage to C_4 , the positive side of capacitor C_1 is switched to V_{CC} and the negative side is switched to GND, allowing the charge pump cycle to begin again. The charge pump cycle will continue as long as the operational conditions for the internal oscillator are present.

Since both V^+ and V^- are separately generated from V_{CC} , in a no-load condition V^+ and V^- will be symmetrical. Older charge pump approaches that generate V^- from V^+ will show a decrease in the magnitude of V^- compared to V^+ due to the inherent inefficiencies in the design.

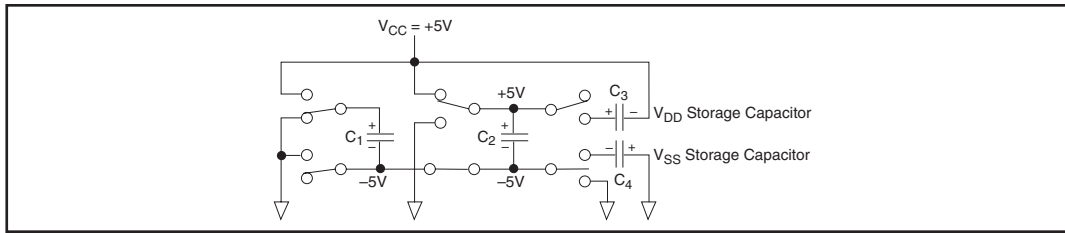


Figure 8. Charge Pump - Phase 1

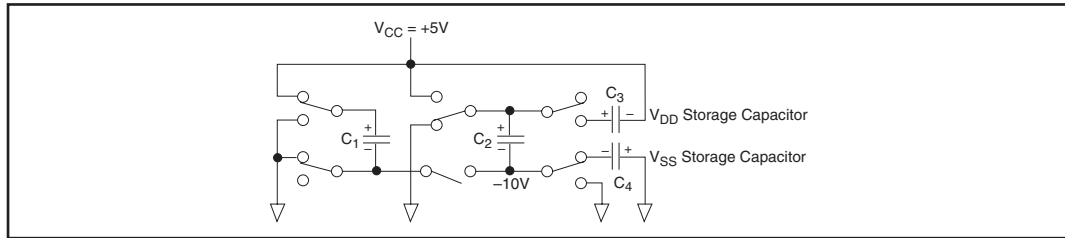


Figure 9. Charge Pump - Phase 2

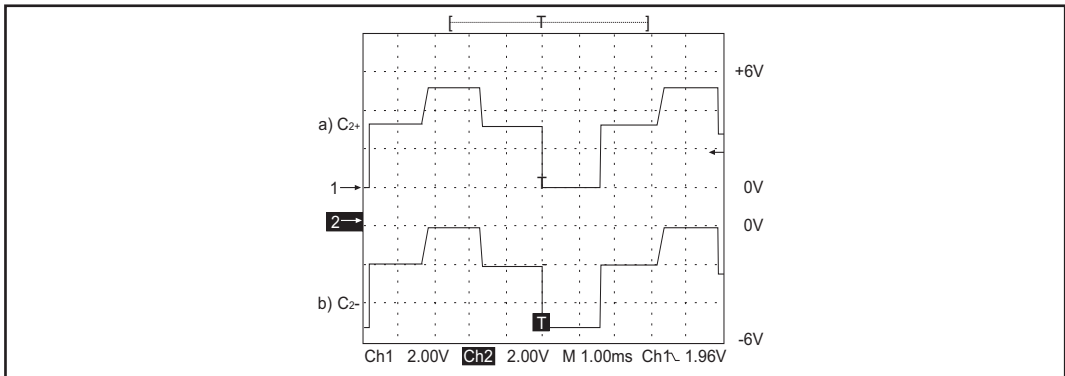


Figure 10. Charge Pump Waveforms

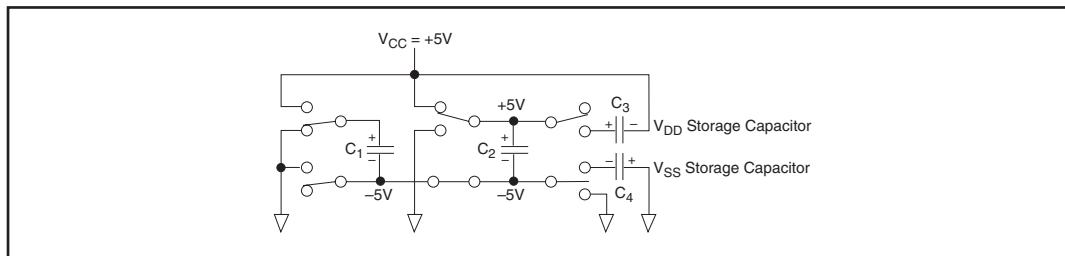


Figure 11. Charge Pump - Phase 3

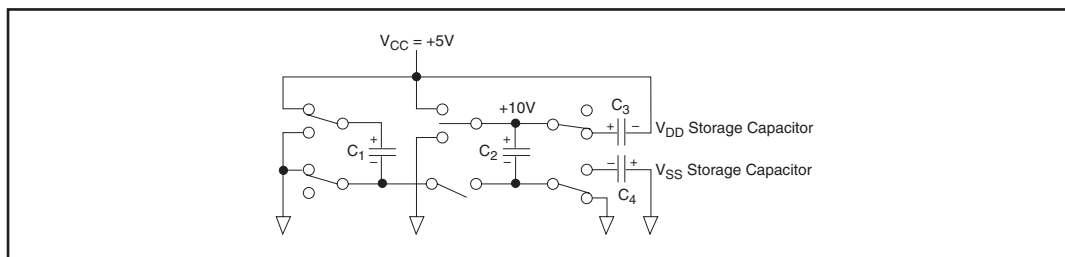


Figure 12. Charge Pump - Phase 4

Charge Pump Capacitor selection

The MaxLinear charge pump is designed to operate reliably with a range of low cost capacitors. Either polarized or non polarized capacitors may be used. If polarized capacitors are used they should be oriented as shown in the Typical Operating Circuit. The V+ capacitor may be connected to either ground or Vcc (polarity reversed.)

The charge pump operates with 0.1 μ F capacitors for 3.3V operation. For other supply voltages, see the table for required capacitor values. Do not use values smaller than those listed. Increasing the capacitor values (e.g., by doubling in value) reduces ripple

on the transmitter outputs and may slightly reduce power consumption. C2, C3, and C4 can be increased without changing C1's value

For best charge pump efficiency locate the charge pump and bypass capacitors as close as possible to the IC. Surface mount capacitors are best for this purpose. Using capacitors with lower equivalent series resistance (ESR) and self-inductance, along with minimizing parasitic PCB trace inductance will optimize charge pump operation. Designers are also advised to consider that capacitor values may shift over time and operating temperature.

Minimum recommended charge pump capacitor value	
Input Voltage V_{CC}	Charge pump capacitor value
3.0V to 3.6V	C1 - C4 = 0.1 μ F
4.5V to 5.5V	C1 = 0.047 μ F, C2-C4 = 0.33 μ F
3.0V to 5.5V	C1 - C4 = 0.22 μ F

Table 4. Capacitor selection table

AUTO ON-LINE® Circuitry

The **SP3221E** device has **AUTO ON-LINE®** circuitry on board that saves power in applications such as laptop computers, PDA's, and other portable systems.

The **SP3221E** device incorporates an **AUTO ON-LINE®** circuit that automatically enables itself when the external transmitter is enabled and the cable is connected. Conversely, the **AUTO ON-LINE®** circuit also disables most of the internal circuitry when the device is not being used and goes into a standby mode where the device typically draws 1µA. This function is externally controlled by the $\overline{\text{ONLINE}}$ pin. When this pin is tied to a logic LOW, the **AUTO ON-LINE®** function is active. Once active, the device is enabled until there is no activity on the receiver input. The receiver input typically sees at least $\pm 3V$, which are generated from the transmitter at the other end of the cable with a $\pm 5V$ minimum. When the external transmitter is disabled or the cable is disconnected, the receiver input will be pulled down by its internal 5kΩ resistor to ground. When this occurs over a period of time, the internal transmitter will be disabled and the device goes into a shutdown or standby mode. When the $\overline{\text{ONLINE}}$ pin is HIGH, the **AUTO ON-LINE®** mode is disabled.

The **AUTO ON-LINE®** circuit has two stages:

- 1) Inactive Detection
- 2) Accumulated Delay

The first stage, shown in Figure 14, detects an inactive input. A logic HIGH is asserted on $R_x\text{INACT}$ if the cable is disconnected or the external transmitters are disabled. Otherwise, $R_x\text{INACT}$ will be at a logic LOW.

The second stage of the **AUTO ON-LINE®** circuitry, shown in Figure 15, processes the receiver's $R_x\text{INACT}$ signal with an accumulated delay that disables the device to a 1µA typical supply current. The $\overline{\text{STATUS}}$ pin goes to a logic LOW when the cable is disconnected. The typical accumulated delay is around 20µs. When the **SP3221E** driver and internal charge pump are disabled, the supply current is reduced to 1µA typical. This can commonly occur in handheld or portable applications where the RS-232 cable is disconnected or the RS-232 driver of the connected peripheral are turned off.

The **AUTO ON-LINE®** mode can be disabled by the $\overline{\text{SHUTDOWN}}$ pin. If this pin is a logic LOW, the **AUTO ON-LINE®** function will not operate regardless of the logic state of the $\overline{\text{ONLINE}}$ pin. Table 3 summarizes the logic of the **AUTO ON-LINE®** operating modes. The truth table logic of the **SP3221E** driver and receiver outputs can be found in *Table 2*.

When the **SP3221E** device is shutdown, the charge pumps are turned off. V+ charge pump output decays to V_{CC} , the V- output decays to GND. The decay time will depend on the size of capacitors used for the charge pump. Once in shutdown, the time required to exit the shut down state and have valid V+ and V- levels is typically 200µs.

For easy programming, the $\overline{\text{STATUS}}$ can be used to indicate $\overline{\text{DTR}}$ or a Ring Indicator signal. Tying $\overline{\text{ONLINE}}$ and $\overline{\text{SHUTDOWN}}$ together will bypass the **AUTO ON-LINE®** circuitry so this connection acts like a shutdown input pin

RS-232 SIGNAL AT RECEIVER INPUT	$\overline{\text{SHUTDOWN}}$	$\overline{\text{ONLINE}}$	$\overline{\text{STATUS}}$	TRANSCEIVER STATUS
YES	HIGH	LOW	HIGH	Normal Operation (AUTO ON-LINE®)
YES	HIGH	HIGH	HIGH	Normal Operation
NO	HIGH	HIGH	LOW	Normal Operation
NO	HIGH	LOW	LOW	Shutdown (AUTO ON-LINE®)
YES	LOW	HIGH/LOW	HIGH	Shutdown
NO	LOW	HIGH/LOW	LOW	Shutdown

Table 3. AUTO ON-LINE® Logic

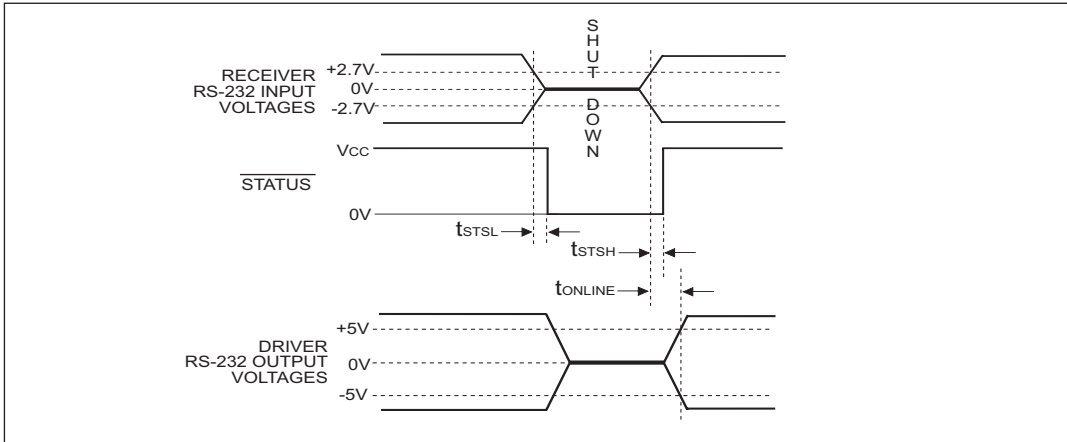


Figure 13. AUTO ON-LINE® Timing Waveforms

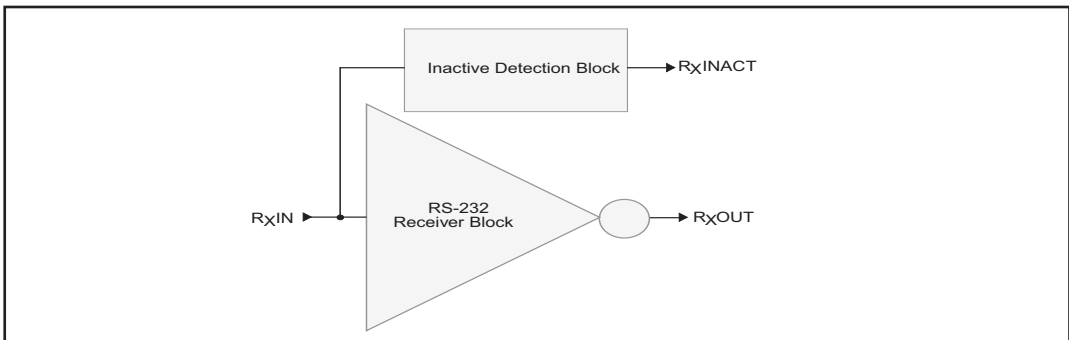


Figure 14. Stage I of AUTO ON-LINE® Circuitry

ESD TOLERANCE

The **SP3221E** device incorporates ruggedized ESD cells on the driver output and receiver input pins. The ESD structure is improved over our previous family for more rugged applications and environments sensitive to electro-static discharges and associated transients. The improved ESD tolerance is at least $\pm 15\text{kV}$ without damage nor latch-up.

There are different methods of ESD testing applied:

- a) MIL-STD-883, Method 3015.7
- b) IEC61000-4-2 Air-Discharge
- c) IEC61000-4-2 Direct Contact

The Human Body Model has been the generally accepted ESD testing method for semiconductors. This method is also specified in MIL-STD-883, Method 3015.7 for ESD testing. The premise of this ESD test is to simulate the human body's potential to store electro-static energy and discharge it to an integrated circuit. The simulation is performed by using a test model as shown in Figure 15. This method will test the IC's capability to withstand an ESD transient during normal handling such as in manufacturing areas where the IC's tend to be handled frequently.

The IEC-61000-4-2, formerly IEC801-2, is generally used for testing ESD on equipment and systems. For system manufacturers, they must guarantee a certain amount of ESD protection since the system itself is exposed to the outside environment and human presence. The premise with IEC-61000-4-2 is that the system is required to withstand an amount of static electricity when

ESD is applied to points and surfaces of the equipment that are accessible to personnel during normal usage. The transceiver IC receives most of the ESD current when the ESD source is applied to the connector pins. The test circuit for IEC61000-4-2 is shown on Figure 16. There are two methods within IEC61000-4-2, the Air Discharge method and the Contact Discharge method. With the Air Discharge Method, an ESD voltage is applied to the equipment under test (EUT) through air. This simulates an electrically charged person ready to connect a cable onto the rear of the system only to find an unpleasant zap just before the person touches the back panel. The high energy potential on the person discharges through an arcing path to the rear panel of the system before he or she even touches the system. This energy, whether discharged directly or through air, is predominantly a function of the discharge current rather than the discharge voltage. Variables with an air discharge such as approach speed of the object carrying the ESD potential to the system and humidity will tend to change the discharge current. For example, the rise time of the discharge current varies with the approach speed. The Contact Discharge Method applies the ESD current directly to the EUT. This method was devised to reduce the unpredictability of the ESD arc. The discharge current rise time is constant since the energy is directly transferred without the air-gap arc. In situations such as hand held systems, the ESD charge can be directly discharged to the equipment from a person already holding the equipment. The current is transferred on to the keypad or the serial port of the equipment directly and then travels through the PCB and finally to the IC.

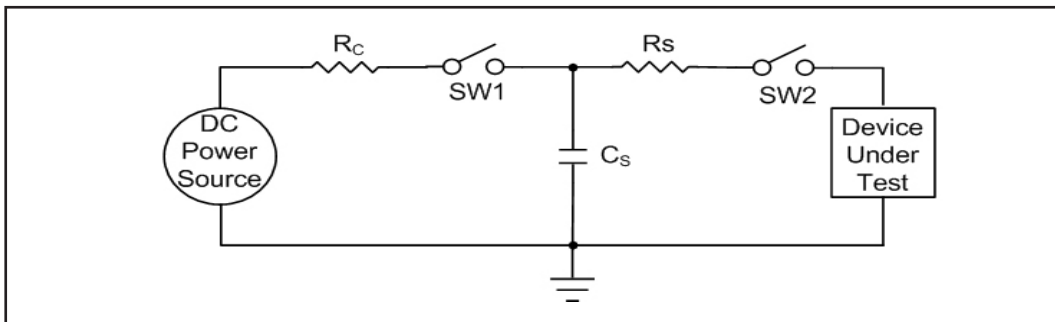


Figure15. ESD Test Circuit for Human Body Model

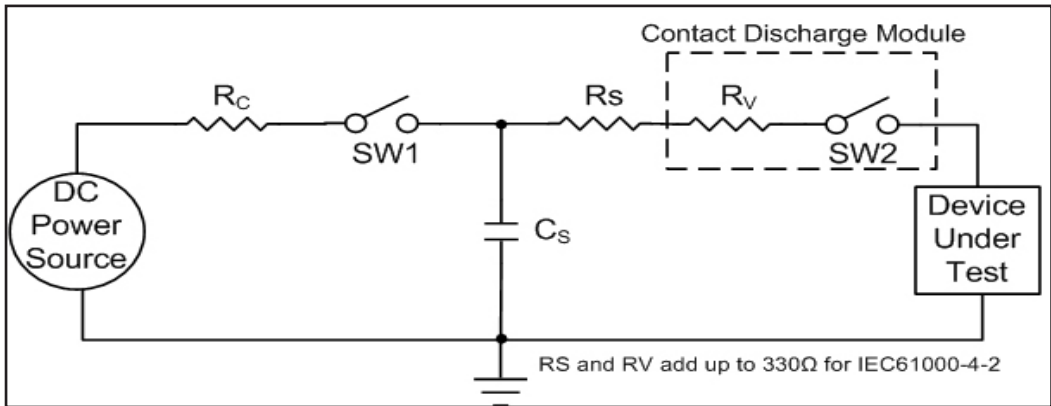


Figure 16. ESD Test Circuit for IEC61000-4-2

The circuit model in Figures 15 and 16 represent the typical ESD testing circuit used for all three methods. The C_s is initially charged with the DC power supply when the first switch (SW1) is on. Now that the capacitor is charged, the second switch (SW2) is on while SW1 switches off. The voltage stored in the capacitor is then applied through R_s , the current limiting resistor, onto the device under test (DUT). In ESD tests, the SW2 switch is pulsed so that the device under test receives a duration of voltage.

For the Human Body Model, the current limiting resistor (R_s) and the source capacitor (C_s) are 1.5kΩ and 100pF, respectively. For IEC-61000-4-2, the current limiting resistor (R_s) and the source capacitor (C_s) are 330Ω and 150pF, respectively.

The higher C_s value and lower R_s value in the IEC-61000-4-2 model are more stringent than the Human Body Model. The larger storage capacitor injects a higher voltage to the test point when SW2 is switched on. The lower current limiting resistor increases the current charge onto the test point.

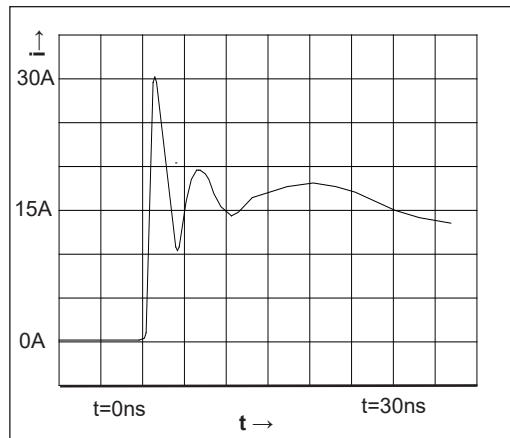
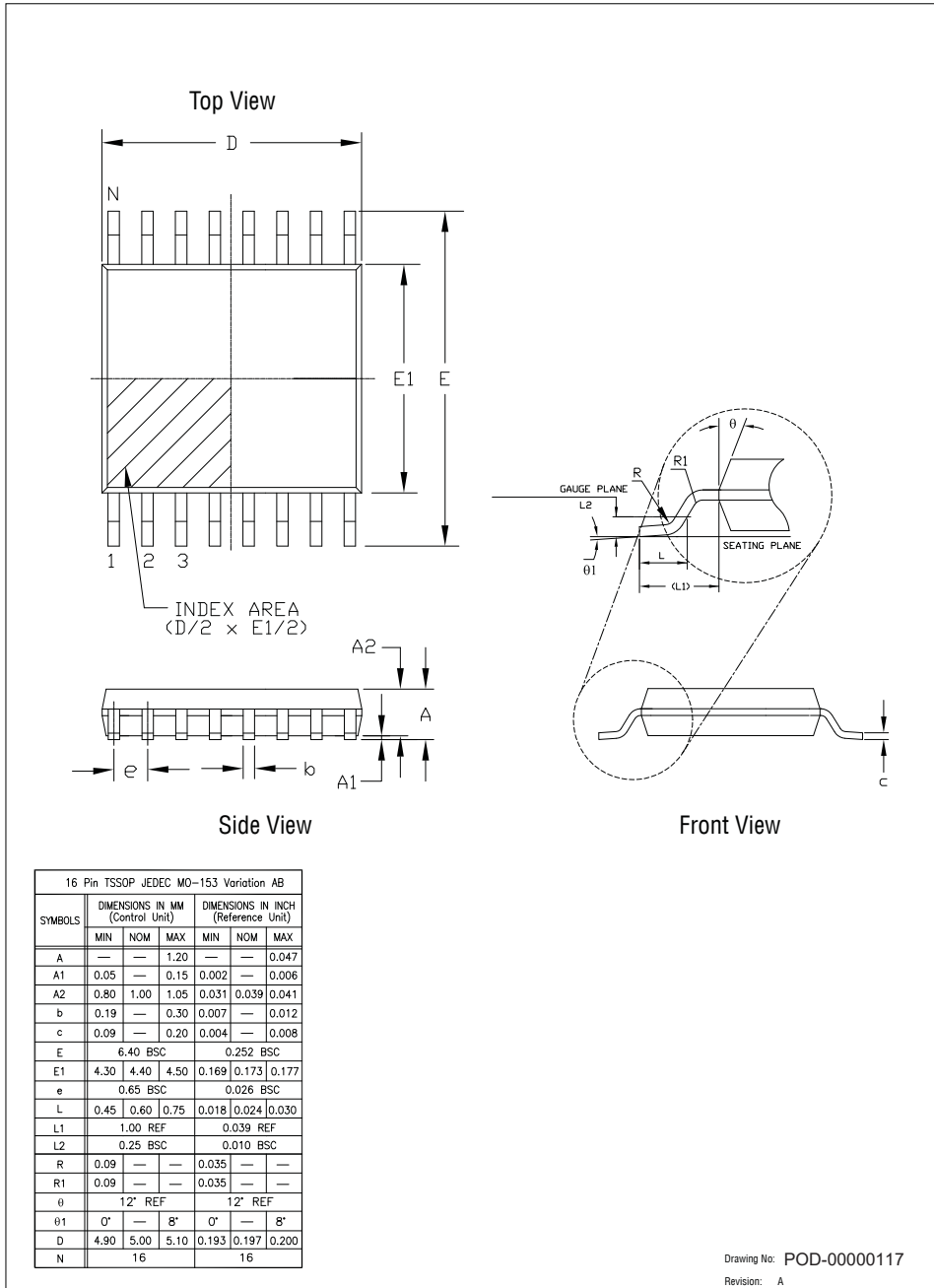
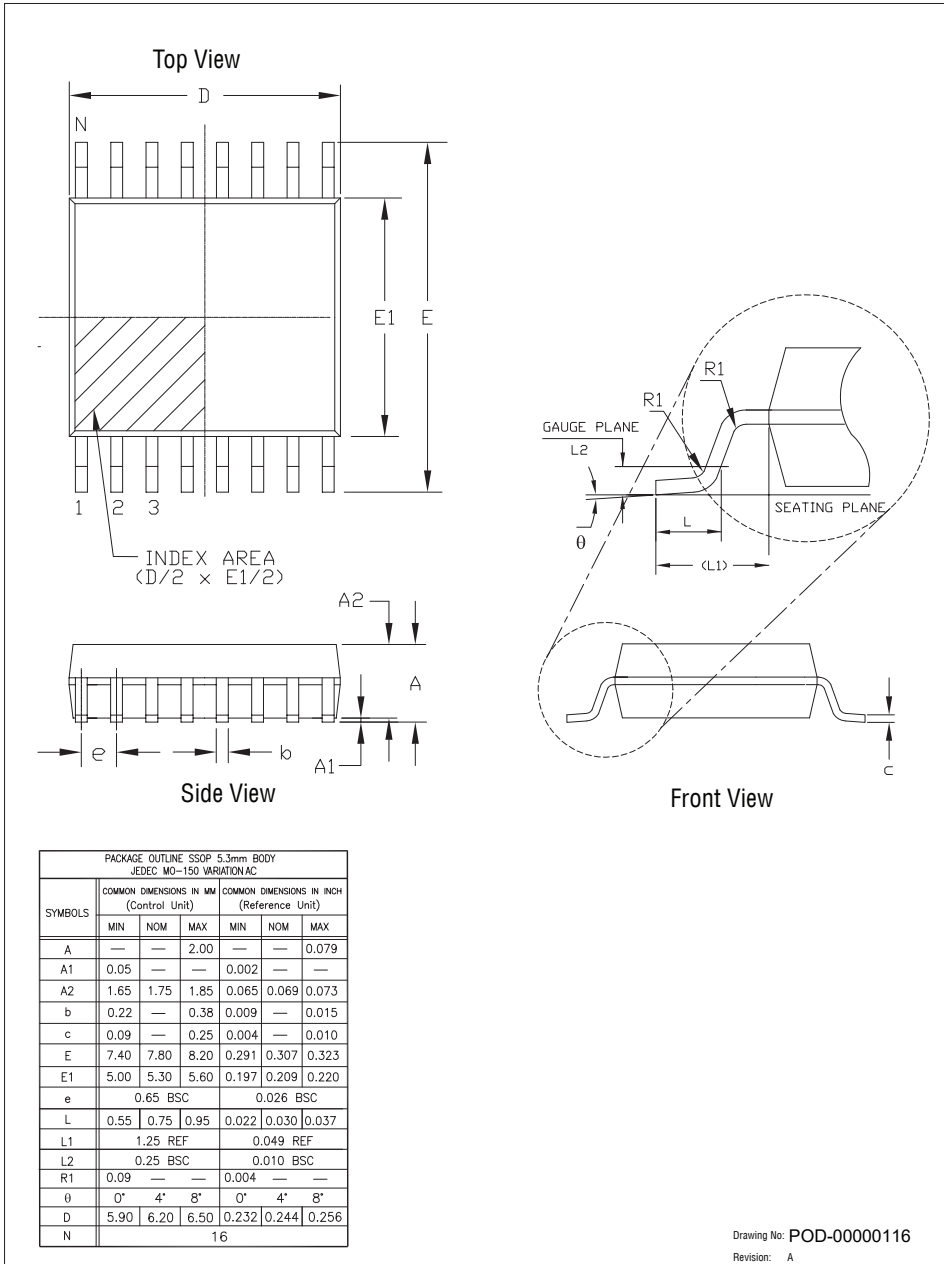


Figure 17. ESD Test Waveform for IEC61000-4-2

DEVICE PIN TESTED	HUMAN BODY MODEL	Air Discharge	IEC61000-4-2 Direct Contact	Level
Driver Output	±15kV	±15kV	±8kV	4
Receiver Input	±15kV	±15kV	±8kV	4

Table 5. Transceiver ESD Tolerance Levels





ORDERING INFORMATION

Part Number	Temperature Range	Package	Packaging Method	Lead-Free
SP3221EEA-L/TR	-40°C to +85°C	16-pin SSOP	Tape and Reel	Yes
SP3221EEY-L/TR	-40°C to +85°C	16-pin TSSOP	Tape and Reel	Yes

NOTE: For more information about part numbers, as well as the most up-to-date ordering information and additional information on environmental rating, go to www.maxlinear.com/SP3221E

REVISION HISTORY

DATE	REVISION	DESCRIPTION
Nov 2012	1.0.0	Production release
Dec 2012	1.0.1	Remove reference to SSOP package
Sept 2014	1.0.2	Add SSOP package option, update package thermal information ECN 1414-04 Oct 2014
Aug 2016	2.0.0	Update Auto On-Line Circuitry section and Logic table
Mar 2020	2.0.1	Update to MaxLinear logo. Update Ordering Information.
July 7, 2022	2.0.2	<p>Updated:</p> <ul style="list-style-type: none"> • In the "Absolute Maximum Ratings" section, RxIN from $\pm 15V$ to $\pm 25V$. • "SP3221E Typical Operating Circuit" figure. • "Interface Circuitry Controlled by Microprocessor Supervisory Circuit" figure. • "Loopback Test Circuit for RS-232 Driver Data Transmission Rates" figure. • "Charge Pump - Phase 1" figure. • "Charge Pump - Phase 2" figure. • "Charge Pump - Phase 3" figure. • "Charge Pump - Phase 4" figure. • "PACKAGE: 16 Pin TSSOP" figure. • "PACKAGE: 16 Pin SSOP" figure. <p>Added:</p> <ul style="list-style-type: none"> • Note: Either polarized or non polarized capacitors may be used.



Corporate Headquarters:
 5966 La Place Court, Suite 100
 Carlsbad, CA 92008
 Tel.: +1 (760) 692-0711
 Fax: +1 (760) 444-8598
www.maxlinear.com

The content of this document is furnished for informational use only, is subject to change without notice, and should not be construed as a commitment by MaxLinear, Inc. MaxLinear, Inc. assumes no responsibility or liability for any errors or inaccuracies that may appear in the informational content contained in this guide. Complying with all applicable copyright laws is the responsibility of the user. Without limiting the rights under copyright, no part of this document may be reproduced into, stored in, or introduced into a retrieval system, or transmitted in any form or by any means (electronic, mechanical, photocopying, recording, or otherwise), or for any purpose, without the express written permission of MaxLinear, Inc.

Maxlinear, Inc. does not recommend the use of any of its products in life support applications where the failure or malfunction of the product can reasonably be expected to cause failure of the life support system or to significantly affect its safety or effectiveness. Products are not authorized for use in such applications unless MaxLinear, Inc. receives, in writing, assurances to its satisfaction that: (a) the risk of injury or damage has been minimized; (b) the user assumes all such risks; (c) potential liability of MaxLinear, Inc. is adequately protected under the circumstances.

MaxLinear, Inc. may have patents, patent applications, trademarks, copyrights, or other intellectual property rights covering subject matter in this document. Except as expressly provided in any written license agreement from MaxLinear, Inc., the furnishing of this document does not give you any license to these patents, trademarks, copyrights, or other intellectual property.

MaxLinear, the MaxLinear logo, any MaxLinear trademarks (MxL, Full-Spectrum Capture, FSC, G.now, AirPHY, Puma, and AnyWAN), and the MaxLinear logo go on the products sold are all property of MaxLinear, Inc. or one of MaxLinear's subsidiaries in the U.S.A. and other countries. All rights reserved. Other company trademarks and product names appearing herein are the property of their respective owners.

© 2022 MaxLinear, Inc. All rights reserved.