

Description

The XR32220 product is a 2 driver / 2 receiver RS-232 transceiver featuring a variable low voltage logic interface, down to 1.65V. This product is intended for portable or hand-held applications such as notebook and palmtop computers. The XR32220EBER device feature slew-rate limited outputs for reduced crosstalk and EMI. The XR32220EUEP device is optimized for high speed with data rates up to 1Mbps, easily meeting the demands of high speed RS-232 applications.

The XR32220 uses an internal high-efficiency charge-pump power supply that requires only four 0.1µF capacitors in 3.3V operation. This charge pump combined with MaxLinear's driver architecture allow the XR32220 to deliver compliant RS-232 performance from a single power supply ranging from +3.0V to +5.5V.

The AUTO ON-LINE® feature allows the device to automatically “wake-up” during a shutdown state when an RS-232 cable is connected and a connected peripheral is turned on. Otherwise, the device automatically shuts itself down drawing less than 1µA.

Typical Application

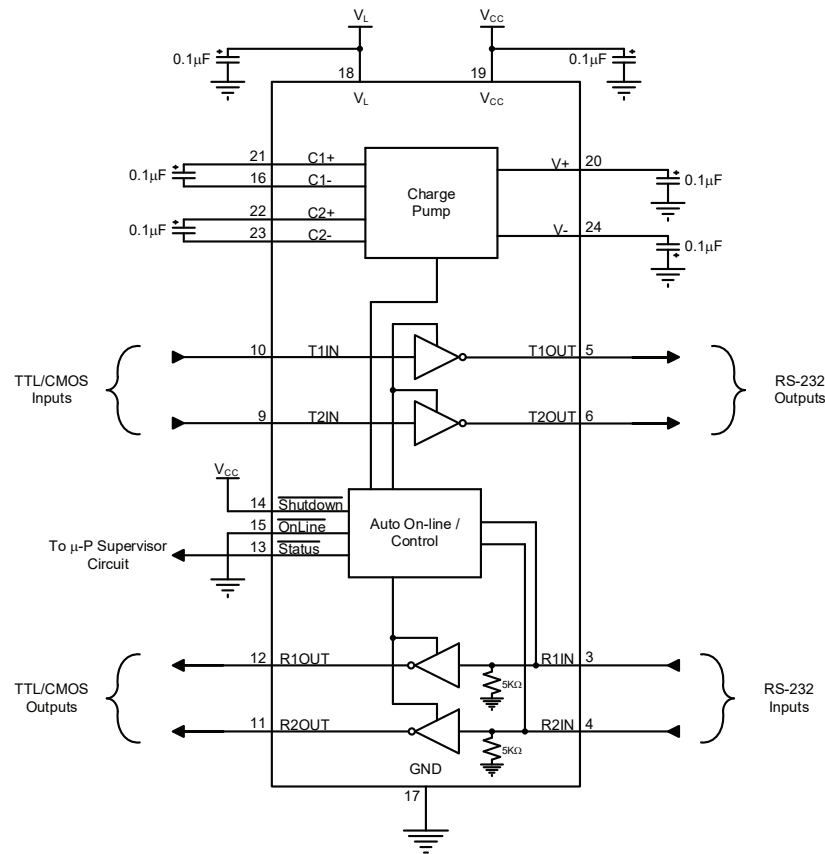


Figure 1. Typical Application

FEATURES

- Meets true EIA/TIA-232-F Standards from a +3.0V to 5.5V power supply
- Interoperable with EIA/TIA-232 and adheres to EIA/TIA-562 down to a +2.7V power source
- 1.65V to 5.5V Logic Interface V_L pin
- AUTO ON-LINE circuitry automatically wakes up from a 1µA shutdown
- Regulated Charge Pump yields stable RS-232 Outputs regardless of V_{CC} variations
- Enhanced ESD Specifications
 - ±15kV Human Body Model
 - ±15kV IEC61000-4-2 Air Discharge
 - ±8kV IEC61000-4-2 Contact Discharge
- 250Kbps min transmission rate (speed grade B)
- 1000Kbps min transmission (speed grade U)
- -40°C to 125°C ambient operating temperature
- Lead-free (RoHS 6) package

APPLICATIONS

- Industrial and Single Board Computers
- Industrial and Process Control Equipment
- Point-Of-Sales Equipment
- Building Security and Automation

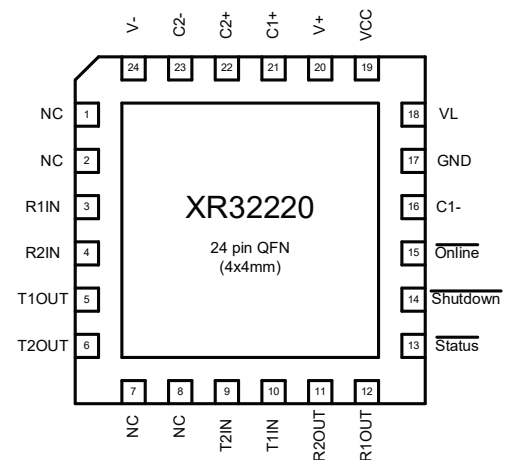


Figure 2. Package Pinout

Absolute Maximum Ratings

Stresses beyond those listed under Absolute Maximum Ratings may cause permanent damage to the device. Exposure to any Maximum Rating condition for extended periods may affect device reliability and lifetime.

Supply Voltage (V_{CC})	-0.3V to +6.0V
Logic Interface Voltage (V_L)	$V_L \leq V_{CC}$
V+	-0.3V to +7.0V
V-	+0.3V to -7.0V
V+ + V-	$\pm 13V$
ICC (DC V_{CC} or GND current)	$\pm 100mA$
Maximum Junction Temperature	150°C

Input Voltages

TxIN, $\overline{\text{ONLINE}}$, $\overline{\text{Shutdown}}$	-0.3V to +6.0V
RxIN	$\pm 15V$

Output Voltage

TxOUT	$\pm 13.2V$
RxOUT, $\overline{\text{Status}}$	-0.3V to +6.0V

Short-Circuit Duration

TxOUT	Continuous
-------	------------

Storage Temperature	-65°C to +150°C
---------------------	-----------------

ESD Rating RS-232 Bus pins

HBM - Human Body Model	$\pm 15kV$
IEC614000-4-2 Air Discharge	$\pm 15kV$
IEC614000-4-2 Contact Discharge	$\pm 8kV$

Operating Conditions

Operating Temperature Range	-40°C to +125°C
V_{CC} Supply Range	3.0V to 5.5V
V_L I/O Supply Range ($V_L \leq V_{CC}$)	1.65V to 5.5V

Thermal Information (24 Ld QFN (4x4mm))

θ_{JA}	39.2(°C/W)
θ_{JC}	15.3(°C/W)

Electrical Characteristics

Unless otherwise noted: $T_A = -40^{\circ}\text{C}$ to $+125^{\circ}\text{C}$, $V_{CC} = 3.3\text{V} \pm 10\%$ or $5.0\text{V} \pm 10\%$, $V_L = V_{CC}$. Limits applying over the full operating temperature range are denoted by a •.

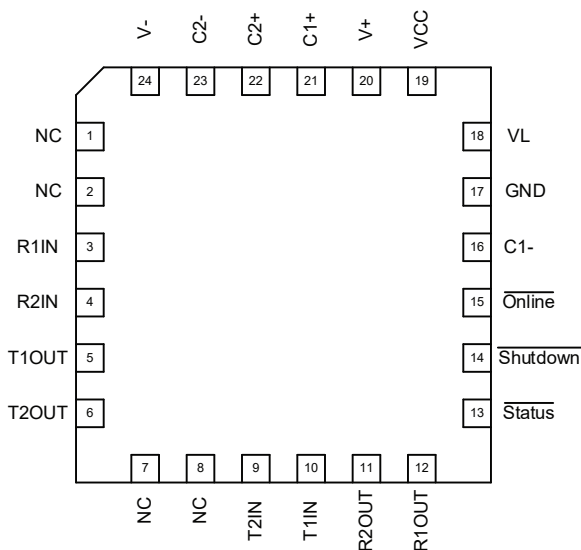
Symbol	Parameter	Conditions	•	Min	Typ	Max	Units
DC CHARACTERISTICS							
I_{CC1}	Supply Current, Auto On-Line enabled	All RxIN open, $\overline{\text{Online}} = \text{GND}$, $\overline{\text{Shutdown}} = V_L$, $V_{CC} = V_L = 3.3\text{V}$, TxIN = V_L or GND	•		1.0	10	μA
I_{CC2}	Supply Current, Shutdown	$\overline{\text{Shutdown}} = \text{GND}$, $V_{CC} = V_L = 3.3\text{V}$, TxIN = V_L or GND	•		1.0	10	μA
I_{CC3}	Supply Current, Auto On-Line disabled	$\overline{\text{Online}} = \overline{\text{Shutdown}} = V_L$, no load, $V_{CC} = V_L = 3.3\text{V}$, TxIN = V_L or GND	•		0.3	1.0	mA
LOGIC INPUTS AND OUTPUTS							
V_{IL}	Input Low Voltage	TxIN, $\overline{\text{Online}}$, $\overline{\text{Shutdown}}$; $1.65\text{V} \leq V_L \leq 5.5\text{V}$ & $V_L \leq V_{CC}$	•			$1/3 * V_L$	V
V_{IH}	Input High Voltage		•	$2/3 * V_L$			V
I_{IL}	Input Leakage Current	TxIN, $\overline{\text{Online}}$, $\overline{\text{Shutdown}}$; $T_{AMB} = 25^{\circ}\text{C}$, $V_{IN} = 0\text{V}$ to V_L			± 0.01	± 1.0	μA
I_{OL}	Output Leakage Current	$\overline{\text{Status}}$, RxOUT (Receivers disabled); $V_{OUT} = 0\text{V}$ to V_L	•		± 0.05	± 10	μA
V_{OL}	Output Low Voltage	$\overline{\text{Status}}$, RxOUT; $I_{OUT} = 1.5\text{mA}$	•			0.4	V
V_{OH}	Output High Voltage	$\overline{\text{Status}}$, RxOUT; $I_{OUT} = -1.5\text{mA}$	•	$V_L - 0.6$			V
DRIVER OUTPUTS							
V_{SWING}	Output Voltage Swing	All drivers outputs loaded with 3K Ω to GND	•	± 5.0	± 5.4		V
O_R	Output Resistance	$V_{CC} = V_+ = V_- = 0\text{V}$, $V_{OUT} = \pm 2\text{V}$	•	300			Ω
I_{OSC}	Output Short-Circuit Current	$V_{OUT} = 0\text{V}$	•		± 35	± 60	mA
I_{OL}	Output Leakage Current	$V_{CC} = 0\text{V}$ or 3.0V to 5.5V, $V_{OUT} = \pm 12\text{V}$	•			± 25	μA
RECEIVER INPUTS							
IVR	Input Voltage Range		•	-15		+15	V
V_{IL}	Input Low Voltage	$V_{CC} = 3.3\text{V}$	•	0.6	1.2		V
		$V_{CC} = 5.0\text{V}$	•	0.8	1.5		V
V_{IH}	Input High Voltage	$V_{CC} = 3.3\text{V}$	•		1.5	2.4	V
		$V_{CC} = 5.0\text{V}$	•		1.8	2.4	V
RX_{HYS}	Receiver Input Hysteresis				0.3		V
RX_R	Receiver Input Resistance		•	3	5	7	K Ω

Electrical Characteristics (Continued)

Unless otherwise noted: $T_A = -40^{\circ}\text{C}$ to $+125^{\circ}\text{C}$, $V_{CC} = 3.3\text{V} \pm 10\%$ or $5.0\text{V} \pm 10\%$, $V_L = V_{CC}$. Limits applying over the full operating temperature range are denoted by a •.

Symbol	Parameter	Conditions	•	Min	Typ	Max	Units
AUTO ON-LINE CIRCUITRY CHARACTERISTICS ($\overline{\text{ONLINE}} = \text{GND}$, $\overline{\text{SHUTDOWN}} = V_L$, $V_L = V_{CC}$)							
RX_{STSH}	Receiver Threshold to $\overline{\text{STATUS}}$ high level		•	-2.7		+2.7	V
RX_{STSL}	Receiver Threshold to $\overline{\text{STATUS}}$ low level		•	-0.3		+0.3	V
t_{STSH}	Receiver Threshold to $\overline{\text{STATUS}}$ high	Figure 11			0.2		μs
t_{STSL}	Receiver Threshold to $\overline{\text{STATUS}}$ low	Figure 11			30		μs
t_{ONLINE}	Receiver Thresholds to Drivers Enabled	Figure 11, (charge pump fully discharged when receiver threshold crossed)			30		μs
t_{OFFLINE}	Receiver Thresholds to Drivers Disabled	Figure 11			35		μs
TIMING CHARACTERISTICS							
f_{MAX}	Maximum Output Frequency (Speed U)	$R_L = 3\text{K}\Omega$, $C_L = 250\text{pF}$, 1 driver active	•	1000			Kbps
	Maximum Output Frequency (Speed B)	$R_L = 3\text{K}\Omega$, $C_L = 1000\text{pF}$, 1 driver active	•	250			Kbps
t_{PHL}	Receiver Propagation Delay (high to low)	Receiver input (<10ns rise/fall) to Receiver output, $C_L = 150\text{pF}$			0.15		μs
t_{PLH}	Receiver Propagation Delay (low to high)	Receiver input (<10ns rise/fall) to Receiver output, $C_L = 150\text{pF}$			0.15		μs
t_{RXSKEW}	Receiver Skew	$ t_{\text{PHL}} - t_{\text{PLH}} $			50		ns
t_{RXOE}	Receiver Output Enable Time	Normal operation			200		ns
t_{RXOD}	Receiver Output Disable Time	Normal operation			200		ns
t_{TXSKEW}	Driver Skew (Speed U)	$ t_{\text{PHL}} - t_{\text{PLH}} $ (Driver propagation delays)	•		50	100	ns
	Driver Skew (Speed B)	$ t_{\text{PHL}} - t_{\text{PLH}} $ (Driver propagation delays)	•		100	500	ns
TX_{SLEW}	Transition-Region Slew Rate (Speed U)	$V_{CC} = 3.3\text{V}$, $R_L = 3\text{K}\Omega$ to $7\text{K}\Omega$, $C_L = 150\text{pF}$ to 250pF , Measured from -3.0V to +3.0V or +3.0V to -3.0V			90		V/ μs
	Transition-Region Slew Rate (Speed B)	$V_{CC} = 3.3\text{V}$, $R_L = 3\text{K}\Omega$ to $7\text{K}\Omega$, $C_L = 150\text{pF}$ to 1000pF , Measured from -3.0V to +3.0V or +3.0V to -3.0V	•	6		30	V/ μs

Pin Configuration



Pin Functions

Pin Number	Pin Name	Type	Description
1, 2, 7, 8	NC	-	No Connect (not connect to the die). Can be left floating or tied to GND or V _{CC} .
3, 4	R1IN, R2IN	Inputs (5K Ω pull-down)	\pm 15KV ESD Protected, RS-232 Receiver Inputs.
5, 6	T1OUT, T2OUT	Output	\pm 15KV ESD Protected, RS-232 Driver Output.
9, 10	T2IN, T1IN	Input	TTL/CMOS Driver Input.
11, 12	R2OUT, R1OUT	Output	TTL/CMOS Receiver Output.
13	$\overline{\text{Status}}$	Output	TTL/CMOS level output indicating if no valid RS-232 levels are present at the R1IN or R2IN input pins.
14	$\overline{\text{Shutdown}}$	Input	TTL/CMOS level input, when driven low puts the XR32220 into shutdown mode (tri-stating driver outputs and disabling the charge-pump); normal operation when driven high.
15	$\overline{\text{Online}}$	Input	TTL/CMOS level input. A low input enables Auto On-Line mode, a high input disables Auto On-Line Mode.
16, 21	C1-, C1+	Analog	Negative and positive terminals of voltage doubler charge pump capacitor.
17	GND	Supply	Ground.
18	VL	Supply	I/O Power Supply.
19	VCC	Supply	Power Supply.
20	V+	Analog	Regulated positive (+5.5V) charge pump rail.
22, 23	C2+, C2-	Analog	Positive and negative terminals of the inverting charge pump capacitor.
24	V-	Analog	Regulated positive (-5.5V) charge pump rail.
-	Paddle	Supply	Ground. The exposed paddle on the bottom of package is connected to device ground. The paddle should be connected to ground on pcb.

Typical Performance Characteristics

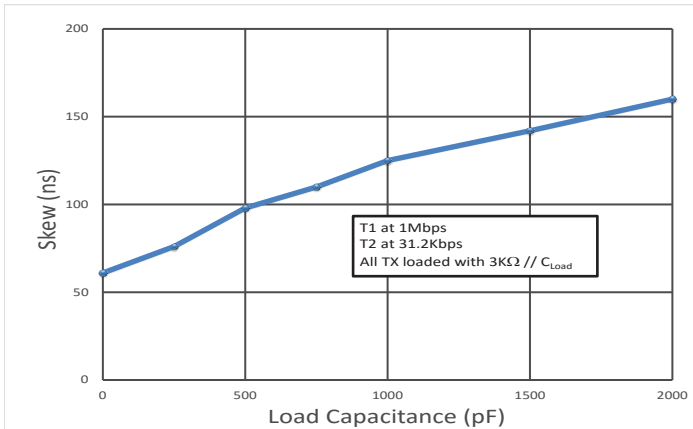


Figure 3. Transmitter Skew vs Load Capacitance

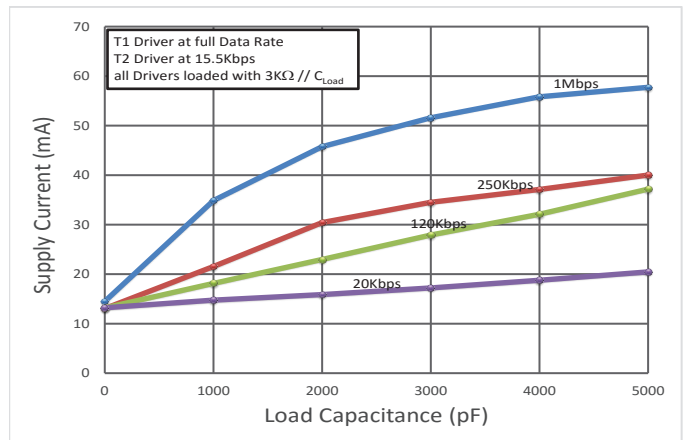


Figure 6. Supply Current vs Load Capacitance

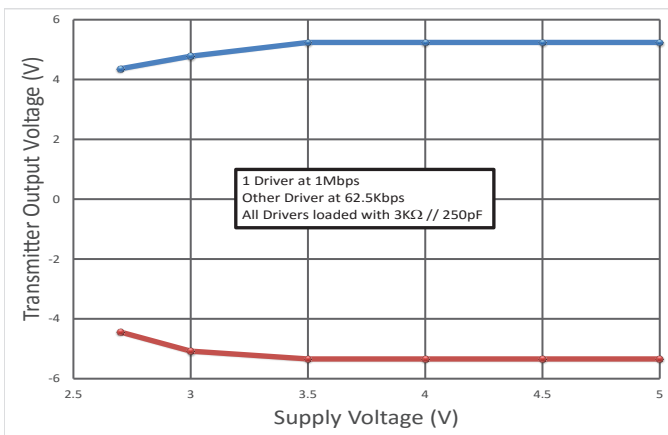


Figure 4. Transmitter Output Voltage vs Supply Voltage

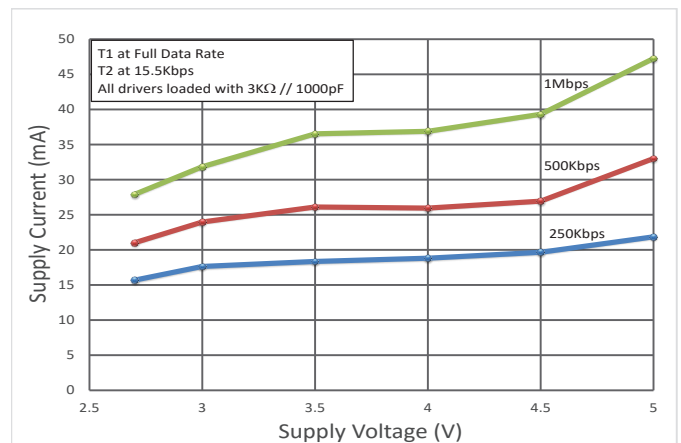


Figure 7. Supply Current vs Supply Voltage

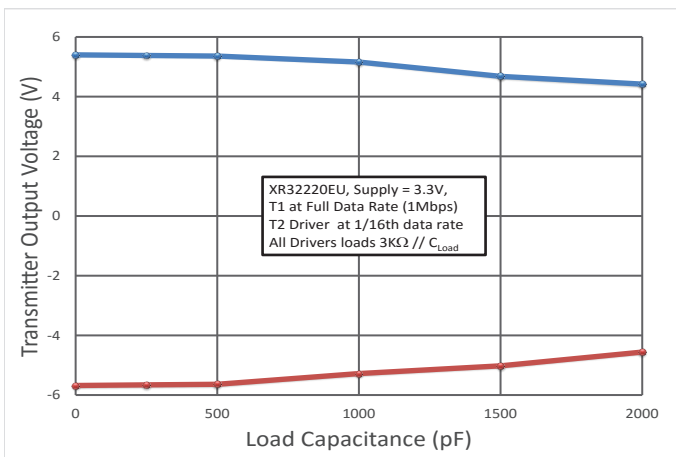


Figure 5. Transmitter Output Voltage vs Load Capacitance

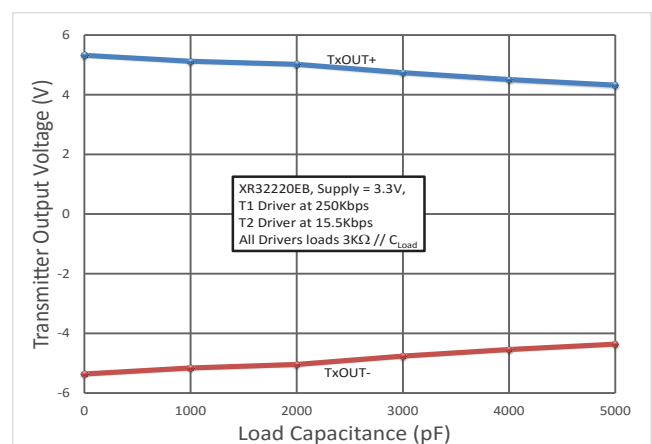


Figure 8. Transmitter Output Voltage vs Load Capacitance

Functional Block Diagram

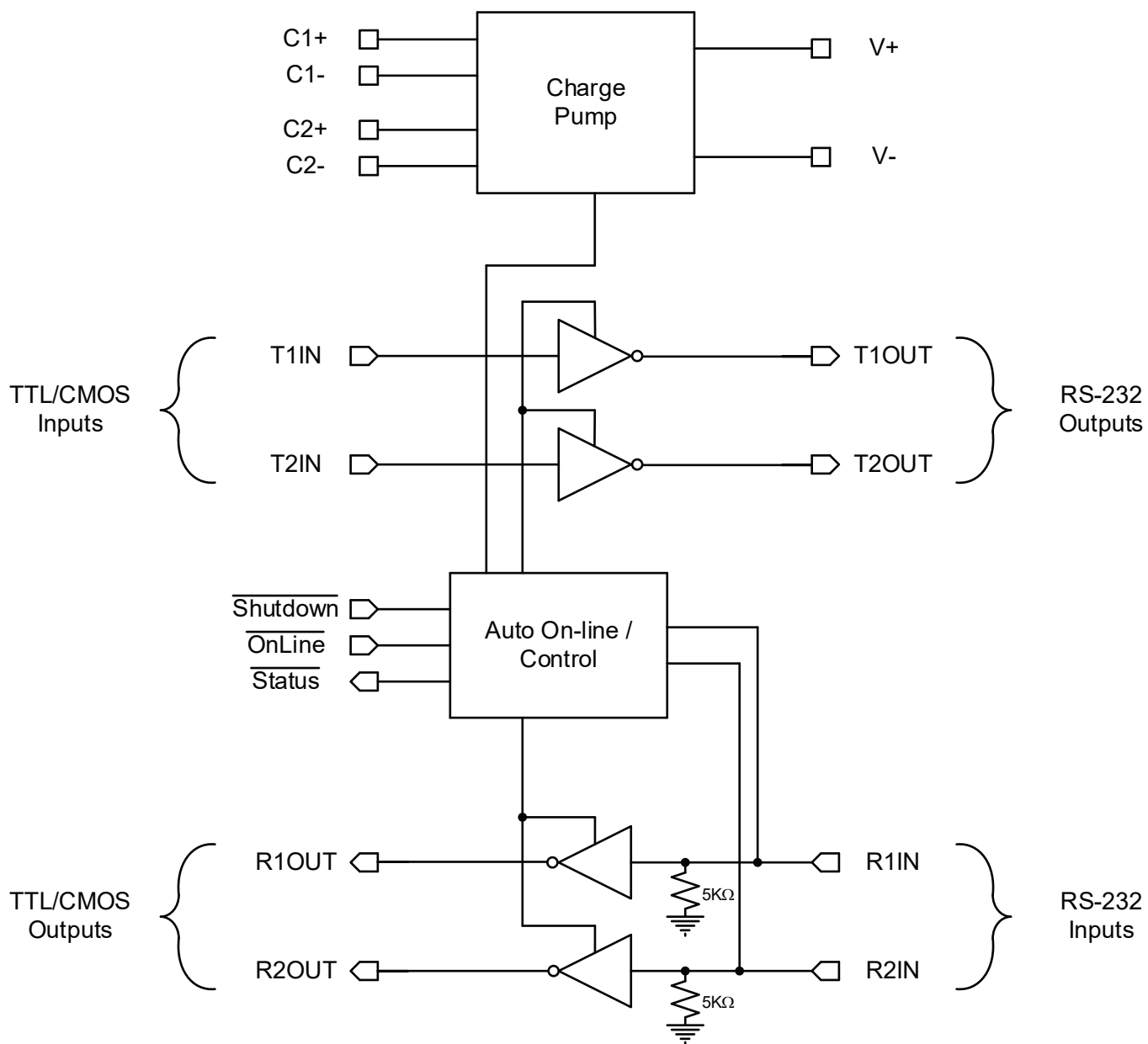


Figure 9. Functional Block Diagram

Applications Information

General Description

The XR32220 transceiver meets the EIA/TIA-232 and ITU-T V.28/V.24 communication protocols and can be implemented in battery-powered, portable, or hand-held applications such as notebook or laptop computers. The XR32220 device features MaxLinear's proprietary and patented (U.S. 5,306,954) on-board charge pump circuitry that generates $\pm 5.5V$ RS-232 voltage levels from a single $+3.0V$ to $+5.5V$ power supply. The XR32220EUE devices can operate at a data rate of 1000Kbps fully loaded.

The XR32220 is a 2-driver/2-receiver device, ideal for portable or hand-held applications.

The XR32220 is an ideal choice for power sensitive designs. The XR32220 devices feature AUTO ON-LINE[®] circuitry which reduces the power supply drain to a $1\mu A$ supply current.

In many portable or hand-held applications, an RS-232 cable can be disconnected or a connected peripheral can be turned off. Under these conditions, the internal charge pump and the drivers will be shut down. Otherwise, the system automatically comes online. This feature allows design engineers to address power saving concerns without major design changes.

Theory of Operation

The XR32220 series is made up of four basic circuit blocks:

1. Drivers
2. Receivers
3. The MaxLinear proprietary charge pump, and
4. AUTO ON-LINE[®] circuitry.

Drivers

The drivers are inverting level transmitters that convert TTL or CMOS logic levels to $5.0V$ EIA/TIA-232 levels with an inverted sense relative to the input logic levels. Typically, the RS-232 output voltage swing is $\pm 5.5V$ with no load and $\pm 5V$ minimum fully loaded. The driver outputs are protected against infinite short-circuits to ground without degradation in reliability. These drivers comply with the EIA-TIA-232-F and all previous RS-232 versions. Unused drivers inputs should be connected to GND or V_L .

The drivers have a minimum data rate of 250kbps (XR32220EB) or 1000kbps (XR32220EU) fully loaded.

Receivers

The receivers convert $+5.0V$ EIA/TIA-232 levels to TTL or CMOS logic output levels. Receivers are High-Z when the AUTO ON-LINE[®] circuitry is enabled and activated or when in shutdown. The truth table logic of the XR32220 driver and receiver outputs can be found in Table 2 on page 11.

Since receiver input is usually from a transmission line where long cable lengths and system interference can degrade the signal, the inputs have a typical hysteresis margin of 300mV. This ensures that the receiver is virtually immune to noisy transmission lines. Should an input be left unconnected, an internal $5K\Omega$ pull-down resistor to ground will commit the output of the receiver to a HIGH state.

Charge Pump

The charge pump is a MaxLinear-patented design (U.S. 5,306,954) and uses a unique approach compared to older less-efficient designs. The charge pump still requires four external capacitors, but uses a four-phase voltage shifting technique to attain symmetrical $\pm 5.5V$ power supplies. The internal power supply consists of a regulated dual charge pump that provides output voltages of $\pm 5.5V$ regardless of the input voltage (V_{CC}) over the $+3.0V$ to $+5.5V$ range. This is important to maintain compliant RS-232 levels regardless of power supply fluctuations.

The charge pump operates in a discontinuous mode using an internal oscillator. If the output voltages are less than a magnitude of $\pm 5.5V$, the charge pump is enabled. If the output voltages exceed a magnitude of $5.5V$, the charge pump is disabled. This oscillator controls the four phases of the voltage shifting. A description of each phase follows.

Phase 1

V- charge storage — During this phase of the clock cycle, the positive side of capacitors C1 and C2 are initially charged to V_{CC} . C1+ is then switched to GND and the charge in C1- is transferred to C2-. Since C2+ is connected to V_{CC} , the voltage potential across capacitor C2 is now 2 times V_{CC} .

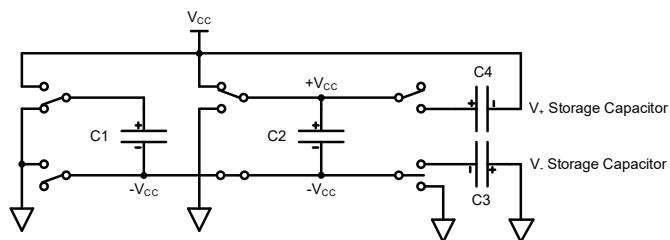


Figure 10. Charge Pump - Phase 1

Applications Information (Continued)

Phase 2

V- transfer — Phase two of the clock connects the negative terminal of C2 to the VSS storage capacitor and the positive terminal of C2 to GND. This transfers a negative generated voltage to C3. This generated voltage is regulated to a minimum voltage of -5.5V. Simultaneous with the transfer of the voltage to C3, the positive side of capacitor C1 is switched to V_{CC} and the negative side is connected to GND.

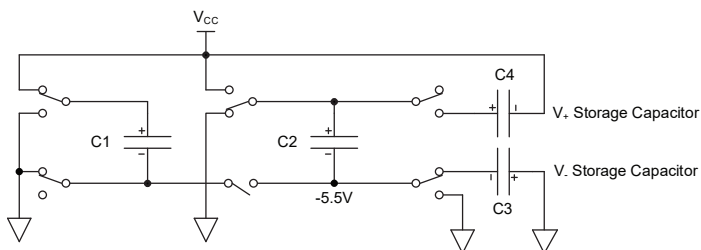


Figure 11. Charge Pump - Phase 2

Phase 3

V+ charge storage — The third phase of the clock is identical to the first phase — the charge transferred in C1 produces $-V_{CC}$ in the negative terminal of C1, which is applied to the negative side of capacitor C2. Since C2+ is at V_{CC} , the voltage potential across C2 is 2 times V_{CC} .

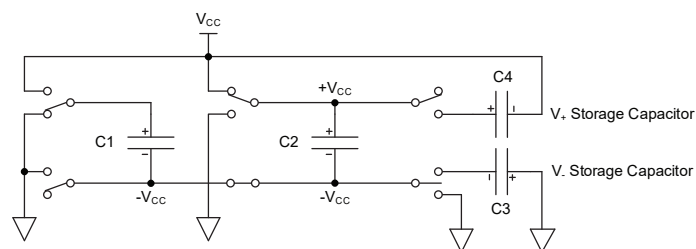


Figure 12. Charge Pump - Phase 3

Phase 4

V+ transfer — The fourth phase of the clock connects the negative terminal of C2 to GND, and transfers this positive generated voltage across C2 to C4, the V+ storage capacitor. This voltage is regulated to +5.5V. At this voltage, the internal oscillator is disabled. Simultaneous with the transfer of the voltage to C4, the positive side of capacitor C1 is switched to V_{CC} and the negative side is connected to GND, allowing the charge pump cycle to begin again. The charge pump cycle will continue as long as the operational conditions for the internal oscillator are present.

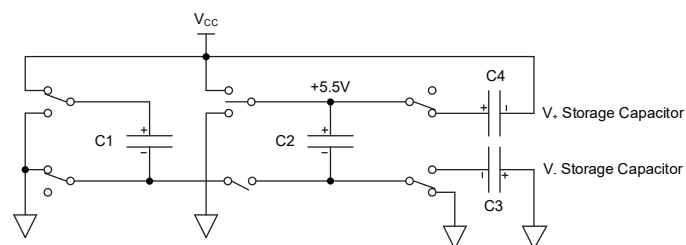


Figure 13. Charge Pump - Phase 4

Since both V+ and V- are separately generated from V_{CC} , in a no-load condition V+ and V- will be symmetrical. Older charge pump approaches that generate V- from V+ will show a decrease in the magnitude of V- compared to V+ due to the inherent inefficiencies in the design. The clock rate for the charge pump typically operates at greater than 250kHz. The external capacitors can be as low as 0.1 μ F with a 16V breakdown voltage rating.

The MaxLinear-patented charge pumps are designed to operate reliably with a range of low cost capacitors. Either polarized or non polarized capacitors may be used. If polarized capacitors are used they should be oriented as shown in the Typical Applications Circuit. The V+ capacitor may be connected to either ground or V_{CC} (polarity reversed.)

The charge pump operates with 0.1 μ F capacitors for 3.3V operation. For other supply voltages, see the table for required capacitor values. Do not use values smaller than those listed. Increasing the capacitor values (e.g., by doubling in value) reduces ripple on the transmitter outputs and may slightly reduce power consumption. C2, C3, and C4 can be increased without changing C1's value.

Applications Information (Continued)

Table 1. Minimum Recommended Charge Pump Capacitor Values

Supply Voltage V_{CC}	Charge Pump Capacitor Value for XR32220
3.0V to 3.6V	C1 - C4 = 0.1 μ F
4.5V to 5.5V	C1 = 0.047 μ F, C2 - C4 = 0.33 μ F
3.0V to 5.5V	C1 - C4 = 0.22 μ F

For best charge pump efficiency locate the charge pump and bypass capacitors as close as possible to the IC. Surface mount capacitors are best for this purpose. Using capacitors with lower equivalent series resistance (ESR) and self-inductance, along with minimizing parasitic PCB trace inductance will optimize charge pump operation. Designers are also advised to consider that capacitor values may shift over time and operating temperature.

AUTO ON-LINE[®] Circuitry

The XR32220 devices have a patent pending AUTO ON-LINE[®] circuitry on board that saves power in applications such as laptop computers, palmtop (PDA) computers and other portable systems.

The XR32220 devices incorporate an AUTO ON-LINE[®] circuit that automatically enables itself when the external transmitters are enabled and the cable is connected. Conversely, the AUTO ON-LINE[®] circuit also disables most of the internal circuitry when the device is not being used and goes into a standby mode where the device typically draws 1 μ A. This function is externally controlled by the ONLINE pin. When this pin is tied to a logic LOW, the AUTO ON-LINE[®] function is active. Once active, the device is enabled until there is no activity on the receiver inputs. The receiver input typically sees at least +3V, which are generated from the transmitters at the other end of the cable with a +5V minimum.

When the external transmitters are disabled or the cable is disconnected, the receiver inputs will be pulled down by their internal 5k Ω resistors to ground. When this occurs over a period of time, the internal transmitters will be disabled and the device goes into a shutdown or standby mode. When ONLINE is HIGH, the AUTO ON-LINE[®] mode is disabled.

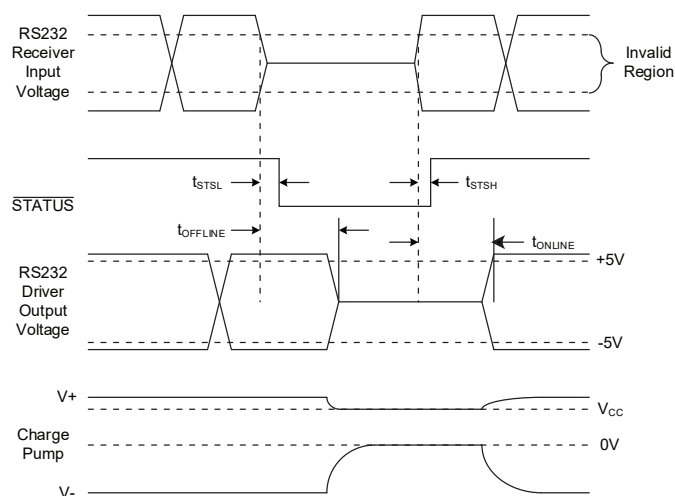


Figure 14. Auto On-Line[®] Timing

The STATUS pin goes to a logic LOW when the cable is disconnected or the external transmitters are disabled.

When the XR32220 drivers and internal charge pump are disabled, the supply current is reduced to 1 μ A. This can commonly occur in hand-held or portable applications where the RS-232 cable is disconnected or the RS-232 drivers of the connected peripheral are turned off.

The AUTO ON-LINE[®] mode can be disabled by the SHUTDOWN pin. If this pin is a logic LOW, the AUTO ON-LINE[®] function will not operate regardless of the logic state of the ONLINE pin. The truth table logic of the XR32220 driver and receiver outputs can be found in Table 3 on page 11.

The STATUS pin outputs a logic LOW signal if the no valid RS-232 level is detected at either of the receiver inputs. This pin goes to a logic HIGH when the external transmitters are enabled and the cable is connected providing valid RS-232 voltage levels to the receiver input pins R1IN and R2IN.

When the XR32220 is shut down, the charge pumps are turned off. V+ charge pump output decays to V_{CC} , the V- output decays to GND. The decay time will depend on the size of capacitors used for the charge pump. Once in shutdown, the time required to exit the shut down state and have valid V+ and V- levels is typically 30 μ s.

For easy programming, the STATUS can be used to indicate DSR or a Ring Indicator signal. Tying ONLINE and SHUTDOWN together will bypass the AUTO ON-LINE[®] circuitry so this connection acts like a shutdown input pin.

Applications Information (Continued)

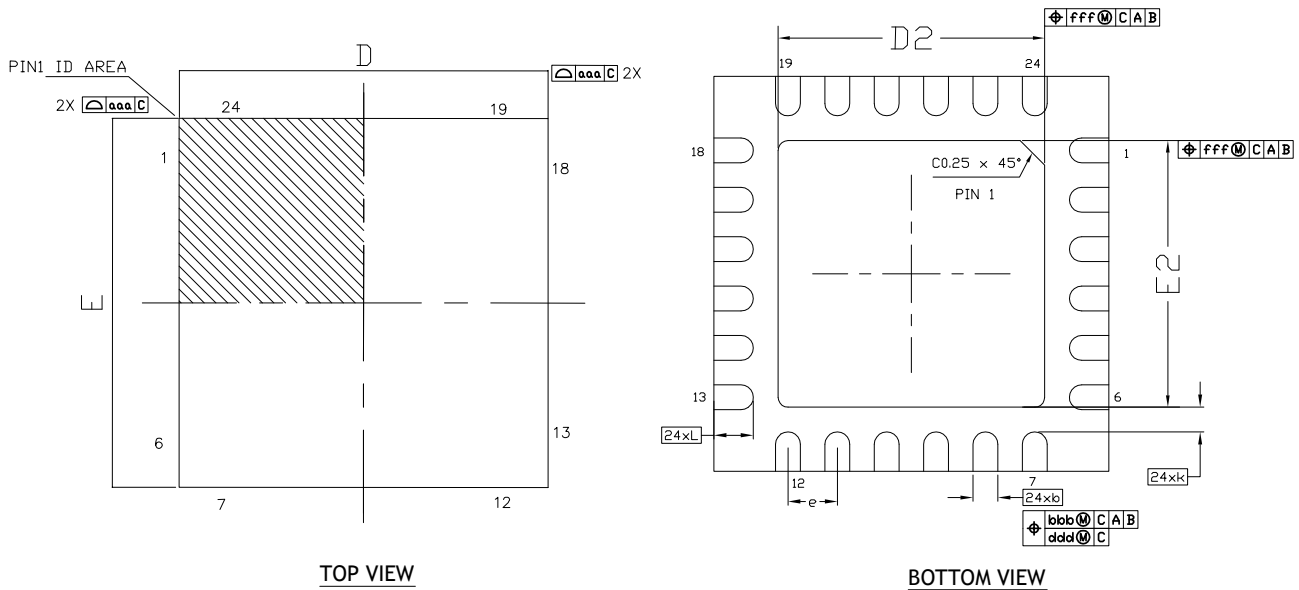
Table 2. XR32220 Operation Truth Table

Valid RS-232 Level at Receiver Input	$\overline{\text{Shutdown}}$	$\overline{\text{OnLine}}$	Driver Outputs	Receiver Outputs	$\overline{\text{Status}}$	Mode of Operation
Yes	L	x	High-Z	High-Z	H	Manually forced shutdown
No	L	x	High-Z	High-Z	L	Manually forced shutdown
Yes	H	L	Active	Active	H	Normal Operation (Auto On-Line [®] enabled)
No	H	L	High-Z	Active	L	Standby Operation due to Auto On-Line [®] circuitry
Yes	H	H	Active	Active	H	Normal Operation
No	H	H	Active	Active	L	Normal Operation

Table 3. XR32220 Driver and Receiver Truth Table

$\overline{\text{Shutdown}}$	RxIN	RxOUT	TxIN	TxOUT
L	x	High-Z	x	High-Z
H	L	H	L	H
H	H	L	H	L

Mechanical Dimensions



DIM SYMBOL	MIN	NOM	MAX
A	0.80	0.90	1.00
A1	0.00	0.02	0.05
A3	---	0.20Ref	---
b	0.18	0.25	0.30
D	4.00 BSC		
E	4.00 BSC		
e	0.50 BSC		
D2	2.50	2.65	2.80
E2	2.50	2.65	2.80
L	0.35	0.40	0.45
K	0.20	-	-
aaa		0.15	
bbb		0.10	
ccc		0.10	
ddd		0.05	
eee		0.08	
fff		0.10	
N		24	

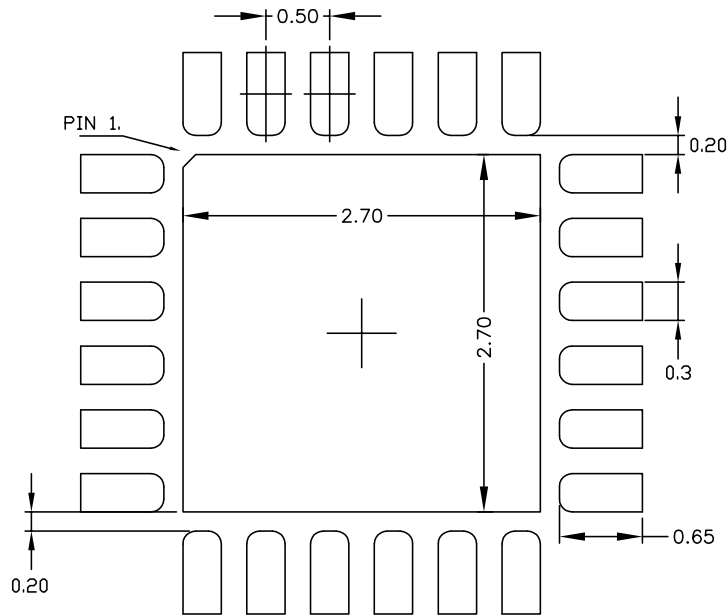
TERMINAL DETAILS

- ALL DIMENSIONS ARE IN MILLIMETERS, ANGLES ARE IN DEGREES.
- DIMENSIONS AND TOLERANCE PER JEDEC MO-220.

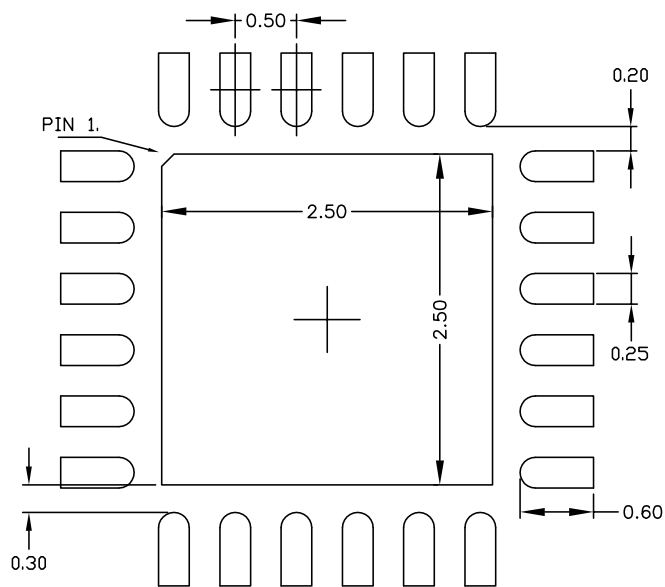
Drawing No.: POD-00000130

Revision: B

Recommended Land Pattern and Stencil



TYPICAL RECOMMENDED LAND PATTERN



TYPICAL RECOMMENDED STENCIL

Drawing No.: POD-00000130

Revision: B

Ordering Information⁽¹⁾

Part Number	Data Rate	Operating Temperature Range	Package	Packaging Method	Lead-Free ⁽²⁾
XR32220EBER-L	250Kbps	-40°C to 125°C	24-pin QFN	Tray	Yes
XR32220EBER-L/TR	250Kbps	-40°C to 125°C	24-pin QFN	Tape and Reel	Yes
XR32220EUEER-L	1000Kbps	-40°C to 125°C	24-pin QFN	Canister	Yes
XR32220EBEVB	XR32220EB Evaluation Board				
XR32220EUEVB	XR32220EU Evaluation Board				

NOTE:

1. Refer to www.maxlinear.com/XR32220 for most up-to-date Ordering Information.
2. Visit www.maxlinear.com for additional information on Environmental Rating.

Revision History

Revision	Date	Description
1A	Sept 2014	Initial release of datasheet.
1B	Sept 2016	Update max operating temperature range from 85°C to 125°C. Update Figure 4 and Ordering Information. Update to new datasheet format.
1C	Aug 2017	Clarify junction temperature in Absolute Maximum Ratings to maximum of 150°C. Update to MaxLinear logo. Update format.
1D	Oct 2017	Add Evaluation Boards to Ordering Information.
1E	Aug 2020	Update Ordering Information including packaging method correction for XR32220EUEER-L. Add recommended land pattern and stencil.



Corporate Headquarters:

5966 La Place Court
Suite 100
Carlsbad, CA 92008
Tel.: +1 (760) 692-0711
Fax: +1 (760) 444-8598
www.maxlinear.com

The content of this document is furnished for informational use only, is subject to change without notice, and should not be construed as a commitment by MaxLinear, Inc. MaxLinear, Inc. assumes no responsibility or liability for any errors or inaccuracies that may appear in the informational content contained in this guide. Complying with all applicable copyright laws is the responsibility of the user. Without limiting the rights under copyright, no part of this document may be reproduced into, stored in, or introduced into a retrieval system, or transmitted in any form or by any means (electronic, mechanical, photocopying, recording, or otherwise), or for any purpose, without the express written permission of MaxLinear, Inc.

MaxLinear, Inc. does not recommend the use of any of its products in life support applications where the failure or malfunction of the product can reasonably be expected to cause failure of the life support system or to significantly affect its safety or effectiveness. Products are not authorized for use in such applications unless MaxLinear, Inc. receives, in writing, assurances to its satisfaction that: (a) the risk of injury or damage has been minimized; (b) the user assumes all such risks; (c) potential liability of MaxLinear, Inc. is adequately protected under the circumstances.

MaxLinear, Inc. may have patents, patent applications, trademarks, copyrights, or other intellectual property rights covering subject matter in this document. Except as expressly provided in any written license agreement from MaxLinear, Inc., the furnishing of this document does not give you any license to these patents, trademarks, copyrights, or other intellectual property.

MaxLinear, the MaxLinear logo, and any MaxLinear trademarks, MxL, Full-Spectrum Capture, FSC, G.now, AirPHY and the MaxLinear logo are all on the products sold, are all trademarks of MaxLinear, Inc. or one of MaxLinear's subsidiaries in the U.S.A. and other countries. All rights reserved. Other company trademarks and product names appearing herein are the property of their respective owners.

© 2014 - 2020 MaxLinear, Inc. All rights reserved