

32-Channel LCD Driver with Separate Backplane Output

Features

- 32-Channel High-Voltage Push-Pull Outputs
- Up to 60V Output Voltage
- Low-Power Level Shifting
- 5 MHz Shift Register Speed
- Latched Data Outputs
- Bidirectional Shift Register (DIR)
- Backplane Output

Applications

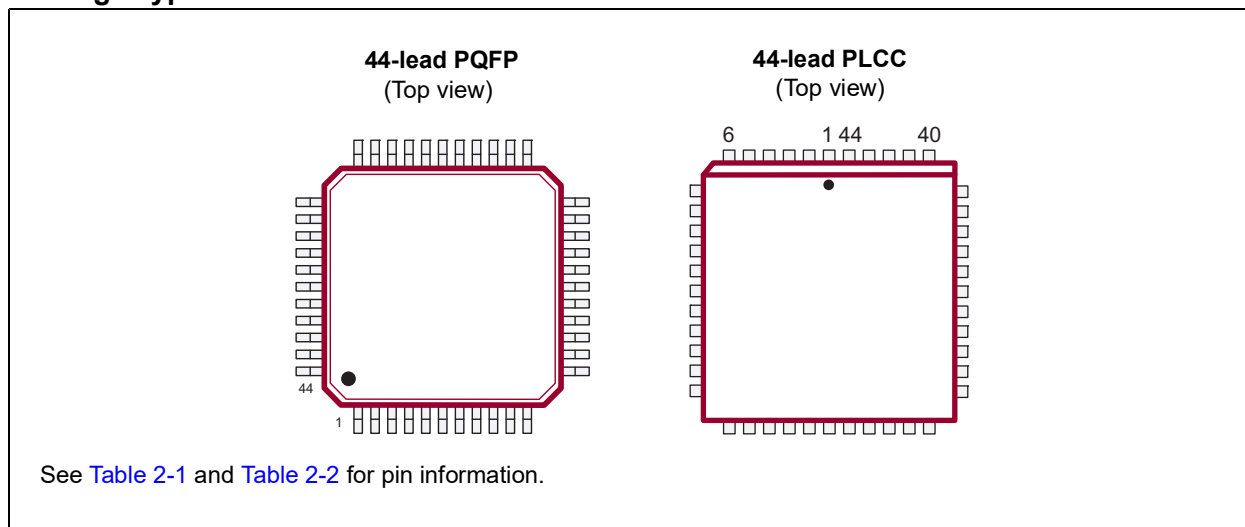
- LCD Drivers
- Display Drivers
- Inkjet Drivers
- 3D Printer Drivers
- Microelectromechanical Systems Applications

General Description

The HV66 is a low-voltage to high-voltage serial-to-parallel converter with push-pull outputs. This device is designed as a driver circuit for LCD displays. It can also be used in any application requiring multiple-output high-voltage current sourcing-and-sinking capabilities. The inputs are fully CMOS compatible.

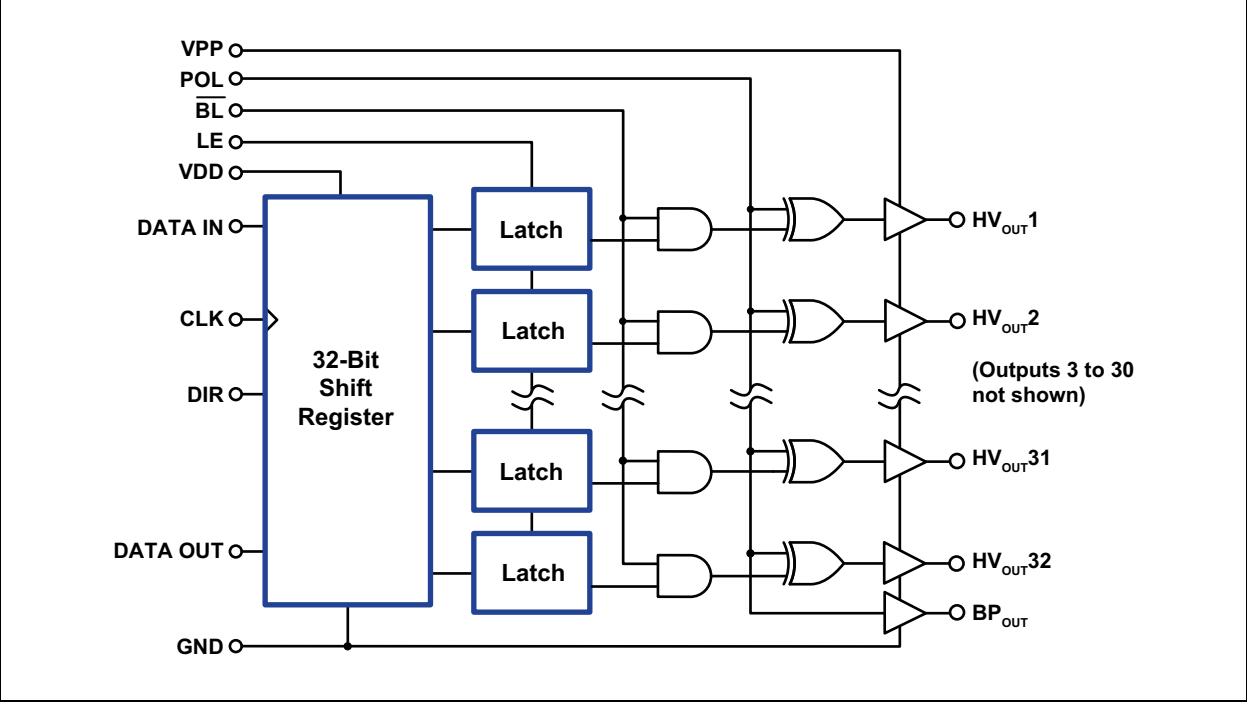
The device consists of a 32-bit Shift register, 32 latches, and control logic to perform blanking and polarity control of the outputs. The HV_{OUT1} is connected to the first stage of the Shift register. Data is shifted through the Shift register on the logic rising transition of the clock. A DIR pin causes data shifting to move in a clockwise direction when grounded. When connected to V_{DD}, the pin causes data shifting to move in a counter clockwise direction. A data output buffer is provided for cascading devices. This output reflects the current status of the last bit of the Shift register. The operation of the Shift register is not affected by the latch enable (LE), blanking (BL) and the polarity (POL) inputs. Transfer of data from the Shift register to the latch occurs when the latch enable (LE) input is high. The data in the latch is stored after LE transitions from high to low.

Package Types

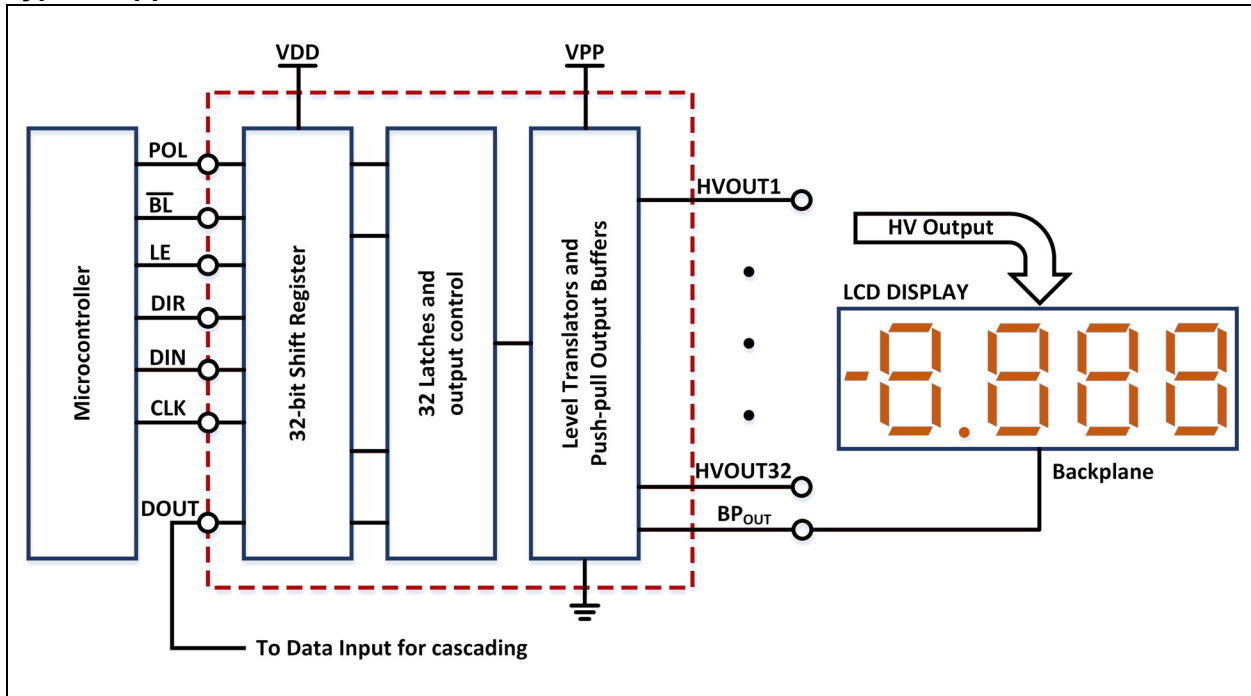


HV66

Functional Block Diagram



Typical Application Circuit



HV66

1.0 ELECTRICAL CHARACTERISTICS

Absolute Maximum Ratings†

Logic Supply Voltage, V_{DD} (Note 1)	-0.5V to +7V
High-Voltage Supply Voltage, V_{PP} (Note 1)	-0.5V to +70V
Logic Input Levels	-0.5V to $V_{DD}+0.5V$
Ground Current (Note 2)	1.5A
Maximum Junction Temperature, $T_{J(MAX)}$	+125°C
Storage Temperature, T_S	-65°C to +125°C
Continuous Total Power Dissipation:	
44-lead PQFP (Note 3)	1200 mW
44-lead PLCC (Note 3)	1200 mW

† **Notice:** Stresses above those listed under “Absolute Maximum Ratings” may cause permanent damage to the device. This is a stress rating only, and functional operation of the device at those or any other conditions above those indicated in the operational sections of this specification is not intended. Exposure to maximum rating conditions for extended periods may affect device reliability.

Note 1: All voltages are referenced to GND.

Note 2: Duty cycle is limited by the total power dissipated in the package.

Note 3: For operations above 25°C ambient, derate linearly to 85°C at 20 mW/°C.

RECOMMENDED OPERATING CONDITIONS

Parameter	Sym.	Min.	Typ.	Max.	Unit	Conditions
Logic Supply Voltage	V_{DD}	4.5	—	5.5	V	
High-Voltage Supply Voltage	V_{PP}	12	—	60	V	
High-Level Input Voltage	V_{IH}	2.4	—	V_{DD}	V	
Low-Level Input Voltage	V_{IL}	0	—	0.8	V	
Clock Frequency	f_{CLK}	0	—	5	MHz	
Operating Ambient Temperature	T_A	-40	—	+85	°C	
Allowable Current through Output Diodes	I_{OD}	—	—	200	mA	

DC ELECTRICAL CHARACTERISTICS

Electrical Specifications: Over recommended operating conditions unless otherwise stated. $V_{DD} = 5V$, $V_{PP} = 60V$.							
Parameter	Sym.	Min.	Typ.	Max.	Unit	Conditions	
V_{DD} Supply Current	I_{DD}	—	—	15	mA	$f_{CLK} = 5\text{ MHz}$, $V_{DD} = 5.5V$	
Quiescent V_{PP} Supply Current	I_{PPQ}	—	—	0.5	mA		
Quiescent V_{DD} Supply Current	I_{DDQ}	—	—	0.5	mA	All $V_{IN} = GND$ or V_{DD}	
High-Level Logic Input Current	I_{IH}	—	—	1	μA	$V_{IH} = V_{DD}$	
Low-Level Logic Input Current	I_{IL}	—	—	-1	μA	$V_{IL} = 0V$	
High-Level Output Data Out	HV _{OUT}	V_{OH}	50	—	—	V	$I_O = -5\text{ mA}$, $V_{PP} = 60V$
	Data Out		4.6	—	—	V	$I_O = -100\ \mu A$
Low-Level Output Voltage	HV _{OUT}	V_{OL}	—	—	8	V	$I_O = 5\text{ mA}$, $V_{PP} = 60V$
	Data Out		—	—	0.4	V	$I_O = 100\ \mu A$
Low-Level Output Voltage, Backplane	V_{OLBP}	—	—	3	V	$I_O = 10\text{ mA}$	
High-Level Output Voltage, Backplane	V_{OHBP}	57	—	—	V	$I_O = -10\text{ mA}$	

AC ELECTRICAL CHARACTERISTICS

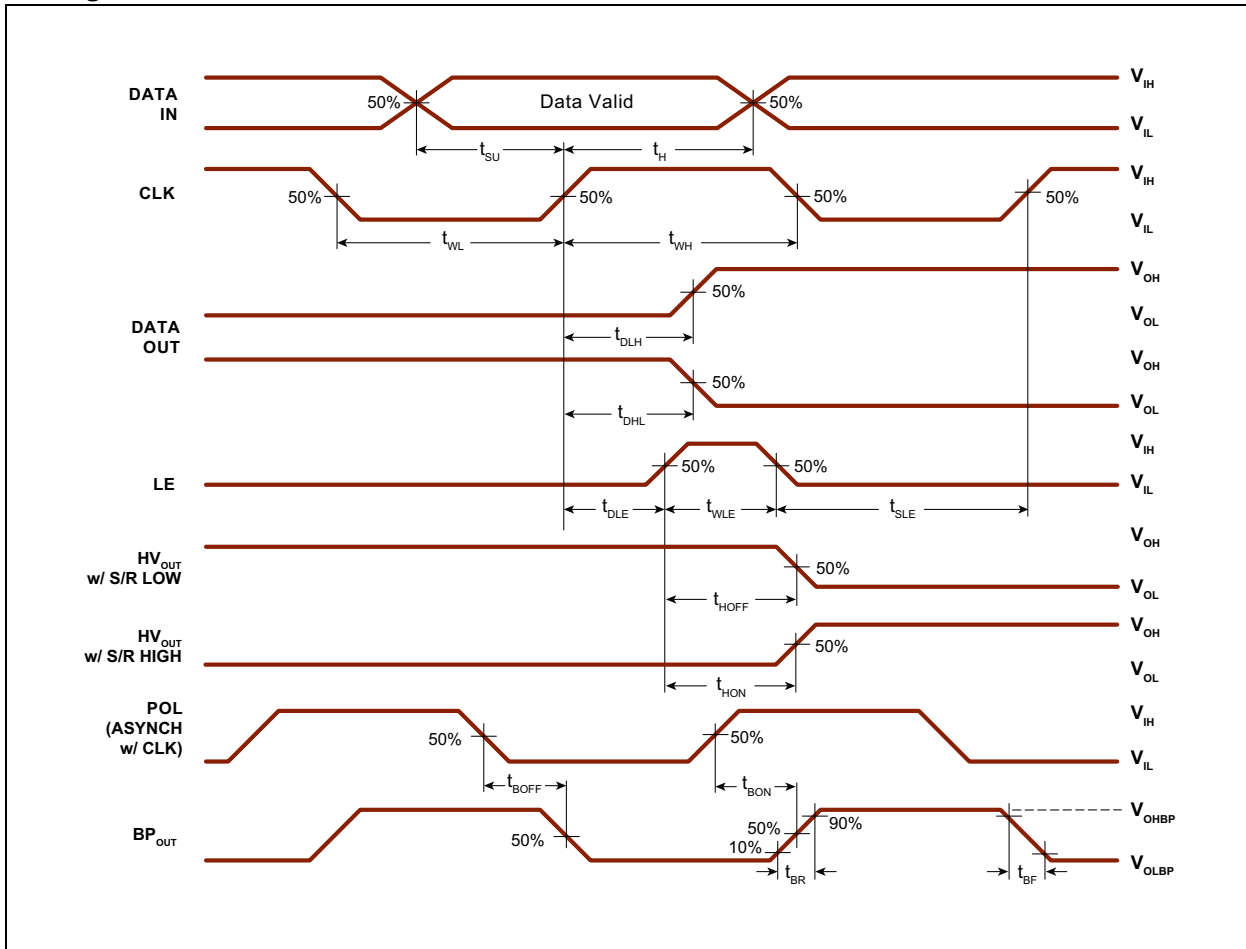
Electrical Specifications: $V_{DD} = 5V$, $V_{PP} = 60V$, $T_A = 25^\circ C$, Logic Input Rise/Fall Time = 10 ns.						
Parameter	Sym.	Min.	Typ.	Max.	Unit	Conditions
Clock Frequency	f_{CLK}	—	—	5	MHz	
Clock Width, High or Low	t_{WL} , t_{WH}	100	—	—	ns	
Data Setup Time before Clock Rises	t_{SU}	25	—	—	ns	
Data Hold Time after Clock Rises	t_H	50	—	—	ns	
Time from Latch Enable or POL to HV _{OUT}	t_{HON} , t_{HOFF}	—	—	500	ns	$C_L = 20\text{ pF}$
Time from POL to BP _{OUT}	t_{BON} , t_{BOFF}	—	—	500	ns	$C_L = 20\text{ pF}$
Delay Time Clock to Data High to Low	t_{DHL}	—	—	200	ns	$C_L = 10\text{ pF}$
Delay Time Clock to Data Low to High	t_{DLH}	—	—	200	ns	$C_L = 10\text{ pF}$
Delay Time Clock to Latch Enable Low to High	t_{DLE}	50	—	—	ns	
Latch Enable Pulse Width	t_{WLE}	100	—	—	ns	
Latch Enable Setup Time before Clock Falls	t_{SLE}	50	—	—	ns	
BP _{OUT} Rise and Fall Time	t_{BR} , t_{BF}	10	—	1000	μs	$C_L = 350\text{ pF}$
BP _{OUT} Rise and Fall Time Difference	$ t_{BR} - t_{BF} $	—	—	100	μs	$C_L = 350\text{ pF}$

TEMPERATURE SPECIFICATIONS

Parameter	Sym.	Min.	Typ.	Max.	Unit	Conditions
TEMPERATURE RANGE						
Operating Ambient Temperature	T_A	-40	—	+85	$^\circ C$	
Storage Temperature	T_S	-65	—	+125	$^\circ C$	
PACKAGE THERMAL RESISTANCE						
44-lead PQFP	θ_{JA}	—	51	—	$^\circ C/W$	
44-lead PLCC	θ_{JA}	—	37	—	$^\circ C/W$	

HV66

Timing Waveforms



2.0 PIN DESCRIPTION

The details on the pins of HV66 44-lead PQFP and 44-lead PLCC are in [Table 2-1](#) and [Table 2-2](#), respectively. Refer to [Package Types](#) for the location of pins.

TABLE 2-1: 44-LEAD PQFP PIN FUNCTION TABLE

Pin Number	Pin Name	Description
1	HVOUT11	High-voltage output
2	HVOUT12	High-voltage output
3	HVOUT13	High-voltage output
4	HVOUT14	High-voltage output
5	HVOUT15	High-voltage output
6	HVOUT16	High-voltage output
7	HVOUT17	High-voltage output
8	HVOUT18	High-voltage output
9	HVOUT19	High-voltage output
10	HVOUT20	High-voltage output
11	HVOUT21	High-voltage output
12	HVOUT22	High-voltage output
13	HVOUT23	High-voltage output
14	HVOUT24	High-voltage output
15	HVOUT25	High-voltage output
16	HVOUT26	High-voltage output
17	HVOUT27	High-voltage output
18	HVOUT28	High-voltage output
19	HVOUT29	High-voltage output
20	HVOUT30	High-voltage output
21	HVOUT31	High-voltage output
22	HVOUT32	High-voltage output
23	DATA OUT	Data output pin
24	GND	Supply ground
25	NC	No connection
26	$\overline{\text{BL}}$	Blanking pin
27	POL	Polarity pin
28	LE	Latch enable pin
29	VDD	Logic supply voltage
30	CLK	Clock pin
31	DIR	Direction pin
32	DATA IN	Data input pin
33	VPP	High-voltage power supply
34	BPOUT	Back plane output
35	HVOUT1	High-voltage output
36	HVOUT2	High-voltage output

HV66

TABLE 2-1: 44-LEAD PQFP PIN FUNCTION TABLE (CONTINUED)

Pin Number	Pin Name	Description
37	HVOUT3	High-voltage output
38	HVOUT4	High-voltage output
39	HVOUT5	High-voltage output
40	HVOUT6	High-voltage output
41	HVOUT7	High-voltage output
42	HVOUT8	High-voltage output
43	HVOUT9	High-voltage output
44	HVOUT10	High-voltage output

TABLE 2-2: 44-LEAD PLCC PIN FUNCTION TABLE

Pin Number	Pin Name	Description
1	HVOUT16	High-voltage output
2	HVOUT17	High-voltage output
3	HVOUT18	High-voltage output
4	HVOUT19	High-voltage output
5	HVOUT20	High-voltage output
6	HVOUT21	High-voltage output
7	HVOUT22	High-voltage output
8	HVOUT23	High-voltage output
9	HVOUT24	High-voltage output
10	HVOUT25	High-voltage output
11	HVOUT26	High-voltage output
12	HVOUT27	High-voltage output
13	HVOUT28	High-voltage output
14	HVOUT29	High-voltage output
15	HVOUT30	High-voltage output
16	HVOUT31	High-voltage output
17	HVOUT32	High-voltage output
18	DATA OUT	Data output pin
19	GND	Supply ground
20	NC	No connection
21	$\overline{\text{BL}}$	Blanking pin
22	POL	Polarity pin
23	LE	Latch enable pin
24	VDD	Logic supply voltage
25	CLK	Clock pin
26	DIR	Direction pin
27	DATA IN	Data input pin
28	VPP	High-voltage power supply

TABLE 2-2: 44-LEAD PLCC PIN FUNCTION TABLE (CONTINUED)

Pin Number	Pin Name	Description
29	BPOUT	Black plane output
30	HVOUT1	High-voltage output
31	HVOUT2	High-voltage output
32	HVOUT3	High-voltage output
33	HVOUT4	High-voltage output
34	HVOUT5	High-voltage output
35	HVOUT6	High-voltage output
36	HVOUT7	High-voltage output
37	HVOUT8	High-voltage output
38	HVOUT9	High-voltage output
39	HVOUT10	High-voltage output
40	HVOUT11	High-voltage output
41	HVOUT12	High-voltage output
42	HVOUT13	High-voltage output
43	HVOUT14	High-voltage output
44	HVOUT15	High-voltage output

HV66

3.0 FUNCTIONAL DESCRIPTION

Follow the steps in [Table 3-1](#) to power up and power down the HV66.

TABLE 3-1: POWER-UP AND POWER-DOWN SEQUENCE

Power-up		Power-down	
Step	Description	Step	Description
1	Connect ground.	1	Remove V_{PP} . (Note 1)
2	Apply V_{DD} .	2	Remove all inputs.
3	Set all inputs (Data, CLK, EN, etc.) to a known state.	3	Remove V_{DD} .
4	Apply V_{PP} . (Note 1)	4	Disconnect ground.

Note 1: The V_{PP} should not drop below V_{DD} during operation.

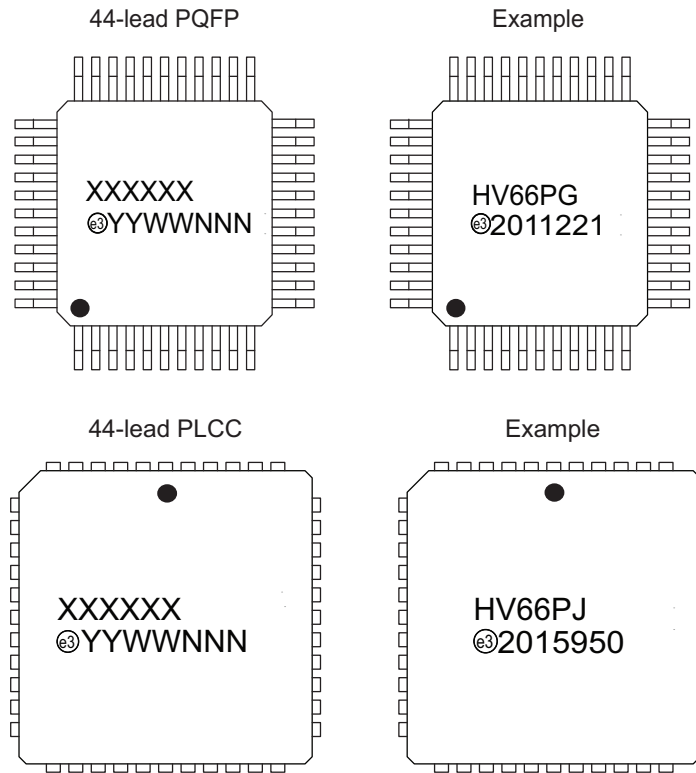
TABLE 3-2: TRUTH FUNCTION TABLE

Function	Inputs						Outputs					
	Data	CLK	LE	\overline{BL}	POL	DIR	Shift Register		High-voltage Output		Data Out *	BP _{OUT}
							1	2...32	1	2...32		
Load S/R, R/L Shift	L or H	↑	L	Ignore	Ignore	H	Data → Q ₁ ... → Q ₃₂		Ignore		Q ₃₂	Ignore
	L or H	↑	L	Ignore	Ignore	L	Q ₁ ← ... Q ₃₂ ← Data		Ignore		Q ₁	Ignore
Load Latches	X	H or L	H	H	H	X	*...*		*...*		No Change	H
	X	H or L	H	H	L	X	*...*		*...*		No Change	L
Transparent Mode	L or H	↑	H	H	H	H	Data → Q ₁ ... → Q ₃₂		$\overline{*...*}$		Q ₃₂	H
	L or H	↑	H	H	L	H	Data → Q ₁ ... → Q ₃₂		*...*		Q ₃₂	L
	L or H	↑	H	H	H	L	Q ₁ ← ... Q ₃₂ ← Data		$\overline{*...*}$		Q ₁	H
	L or H	↑	H	H	L	L	Q ₁ ← ... Q ₃₂ ← Data		*...*		Q ₁	L
Blank Control	X	X	X	L	L	X	X		L...L		Ignore	L
	X	X	X	L	H	X	X		H...H		Ignore	H

Note: H = High-logic level
 L = Low-logic level
 X = Irrelevant
 Ignore = The state of the specific input or output is irrelevant to demonstrate the occurred event.
 ↑ = Low-to-high transition
 * = Dependent on the previous stage's state before the last CLK or last LE high

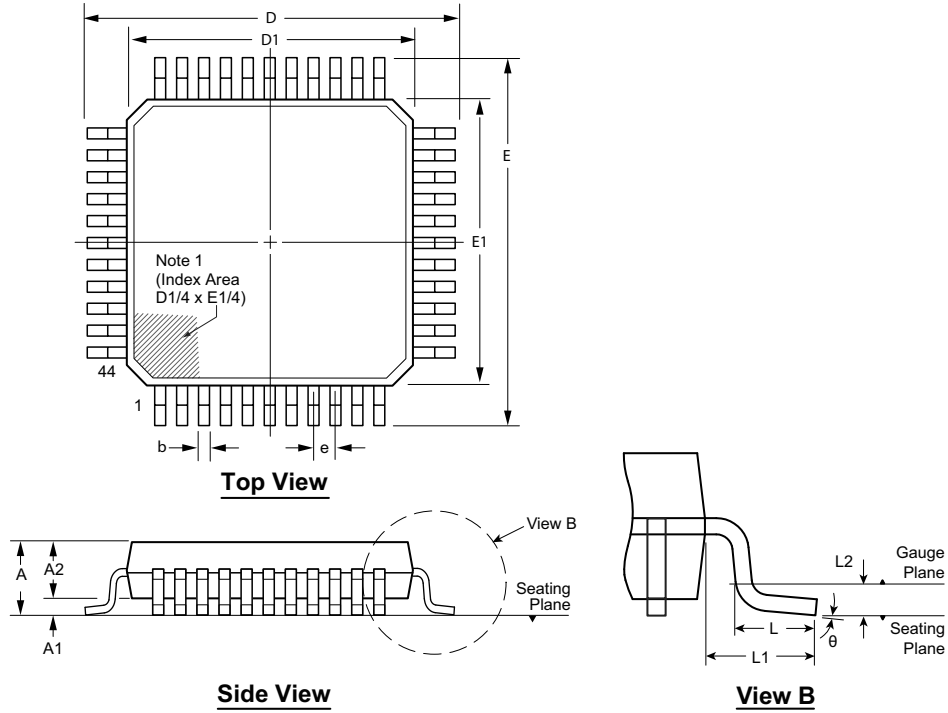
4.0 PACKAGE MARKING INFORMATION

4.1 Packaging Information



Legend:	XX...X	Product Code or Customer-specific information
	Y	Year code (last digit of calendar year)
	YY	Year code (last 2 digits of calendar year)
	WW	Week code (week of January 1 is week '01')
	NNN	Alphanumeric traceability code
	Ⓜ	Pb-free JEDEC® designator for Matte Tin (Sn)
	*	This package is Pb-free. The Pb-free JEDEC designator (Ⓜ) can be found on the outer packaging for this package.
Note:	In the event the full Microchip part number cannot be marked on one line, it will be carried over to the next line, thus limiting the number of available characters for product code or customer-specific information. Package may or not include the corporate logo.	

44-Lead PQFP Package Outline (PG) 10.00x10.00mm body, 2.35mm height (max), 0.80mm pitch



Note: For the most current package drawings, see the Microchip Packaging Specification at www.microchip.com/packaging.

Note:

1. A Pin 1 identifier must be located in the index area indicated. The Pin 1 identifier can be: a molded mark/identifier; an embedded metal marker; or a printed indicator.

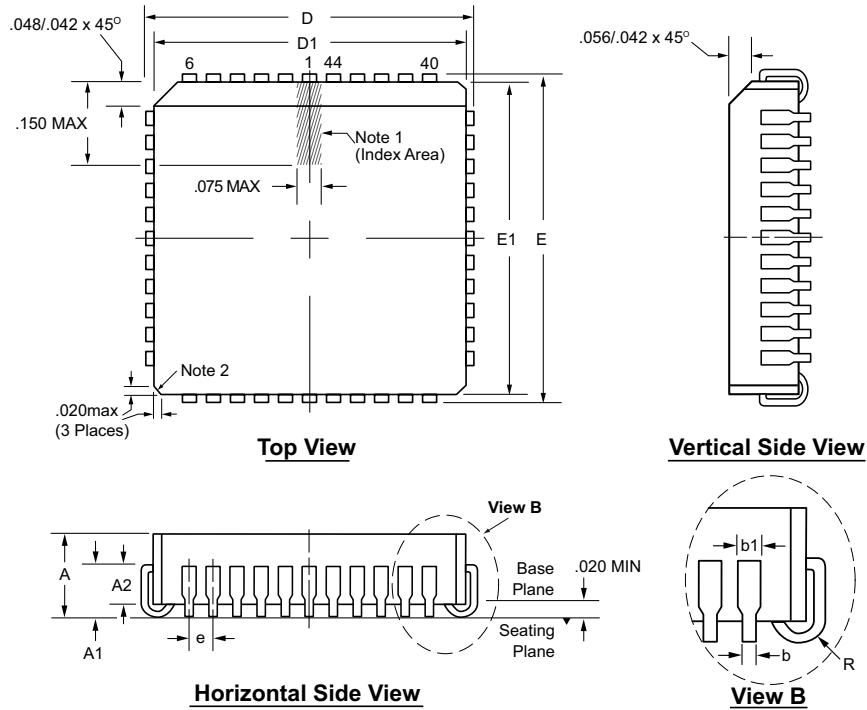
Symbol	A	A1	A2	b	D	D1	E	E1	e	L	L1	L2	θ	
Dimension (mm)	MIN	1.95*	0.00	1.95	0.30	13.65*	9.80*	13.65*	9.80*	0.80 BSC	0.73	1.95 REF	0.25	7°
	NOM	-	-	2.00	-	13.90	10.00	13.90	10.00		0.88		3.5°	
	MAX	2.35	0.25	2.10	0.45	14.15*	10.20*	14.15*	10.20*		1.03			

JEDEC Registration MO-112, Variation AA-2, Issue B, Sep. 1995.

* This dimension is not specified in the JEDEC drawing.

Drawings not to scale.

44-Lead PLCC Package Outline (PJ) .653x.653in body, .180in height (max), .050in pitch



Note: For the most current package drawings, see the Microchip Packaging Specification at www.microchip.com/packaging.

Notes:

1. A Pin 1 identifier must be located in the index area indicated. The Pin 1 identifier can be: a molded mark/identifier; an embedded metal marker; or a printed indicator.
2. Actual shape of this feature may vary.

Symbol	A	A1	A2	b	b1	D	D1	E	E1	e	R	
Dimension (inches)	MIN	.165	.090	.062	.013	.026	.685	.650	.685	.650	.050 BSC	.025
	NOM	.172	.105	-	-	-	.690	.653	.690	.653		.035
	MAX	.180	.120	.083	.021	.036 [†]	.695	.656	.695	.656		.045

JEDEC Registration MS-018, Variation AC, Issue A, June, 1993.

[†] This dimension differs from the JEDEC drawing.

Drawings not to scale.

HV66

NOTES:

APPENDIX A: REVISION HISTORY

Revision A (January 2020)

- Converted Supertex Doc # DSFP-HV66 to Microchip DS20005886A
- Removed “HVCMOS[®] Technology” from the Features section
- Changed the package marking format
- Updated the 44-lead PQFP PG M919 and 44-lead PLCC PJ M903 media types
- Made minor changes throughout the document

HV66

PRODUCT IDENTIFICATION SYSTEM

To order or obtain information, e.g., on pricing or delivery, contact your local Microchip representative or sales office.

<u>PART NO.</u>	<u>XX</u>	-	<u>X</u>	-	<u>X</u>
Device	Package Options		Environmental		Media Type
Device:	HV66	=	32-Channel LCD Driver with Separate Backplane Output		
Packages:	PG	=	44-lead PQFP		
	PJ	=	44-lead PLCC		
Environmental:	G	=	Lead (Pb)-free/RoHS-compliant Package		
Media Types:	(blank)	=	96/Tray for a PG Package		
	(blank)	=	27/Tube for a PJ Package		

Examples:

a) HV66PG-G: 32-Channel LCD Driver with Separate Backplane Output, 44-lead PQFP, 96/Tray

b) HV66PJ-G: 32-Channel LCD Driver with Separate Backplane Output, 44-lead PLCC, 27/Tube

Note the following details of the code protection feature on Microchip devices:

- Microchip products meet the specification contained in their particular Microchip Data Sheet.
- Microchip believes that its family of products is one of the most secure families of its kind on the market today, when used in the intended manner and under normal conditions.
- There are dishonest and possibly illegal methods used to breach the code protection feature. All of these methods, to our knowledge, require using the Microchip products in a manner outside the operating specifications contained in Microchip's Data Sheets. Most likely, the person doing so is engaged in theft of intellectual property.
- Microchip is willing to work with the customer who is concerned about the integrity of their code.
- Neither Microchip nor any other semiconductor manufacturer can guarantee the security of their code. Code protection does not mean that we are guaranteeing the product as “unbreakable.”

Code protection is constantly evolving. We at Microchip are committed to continuously improving the code protection features of our products. Attempts to break Microchip's code protection feature may be a violation of the Digital Millennium Copyright Act. If such acts allow unauthorized access to your software or other copyrighted work, you may have a right to sue for relief under that Act.

Information contained in this publication regarding device applications and the like is provided only for your convenience and may be superseded by updates. It is your responsibility to ensure that your application meets with your specifications. MICROCHIP MAKES NO REPRESENTATIONS OR WARRANTIES OF ANY KIND WHETHER EXPRESS OR IMPLIED, WRITTEN OR ORAL, STATUTORY OR OTHERWISE, RELATED TO THE INFORMATION, INCLUDING BUT NOT LIMITED TO ITS CONDITION, QUALITY, PERFORMANCE, MERCHANTABILITY OR FITNESS FOR PURPOSE. Microchip disclaims all liability arising from this information and its use. Use of Microchip devices in life support and/or safety applications is entirely at the buyer's risk, and the buyer agrees to defend, indemnify and hold harmless Microchip from any and all damages, claims, suits, or expenses resulting from such use. No licenses are conveyed, implicitly or otherwise, under any Microchip intellectual property rights unless otherwise stated.

Trademarks

The Microchip name and logo, the Microchip logo, Adaptec, AnyRate, AVR, AVR logo, AVR Freaks, BesTime, BitCloud, chipKIT, chipKIT logo, CryptoMemory, CryptoRF, dsPIC, FlashFlex, flexPWR, HELDO, IGLoo, JukeBlox, KeeLoq, Klear, LANCheck, LinkMD, maXStylus, maXTouch, MediaLB, megaAVR, Microsemi, Microsemi logo, MOST, MOST logo, MPLAB, OptoLyzer, PackeTime, PIC, picoPower, PICSTART, PIC32 logo, PolarFire, Prochip Designer, QTouch, SAM-BA, SenGenuity, SpyNIC, SST, SST Logo, SuperFlash, Symmetricom, SyncServer, Tachyon, TempTrackr, TimeSource, tinyAVR, UNI/O, Vectron, and XMEGA are registered trademarks of Microchip Technology Incorporated in the U.S.A. and other countries.

APT, ClockWorks, The Embedded Control Solutions Company, EtherSynch, FlashTec, Hyper Speed Control, HyperLight Load, IntelliMOS, Libero, motorBench, mTouch, Powermite 3, Precision Edge, ProASIC, ProASIC Plus, ProASIC Plus logo, Quiet-Wire, SmartFusion, SyncWorld, Temux, TimeCesium, TimeHub, TimePictra, TimeProvider, Vite, WinPath, and ZL are registered trademarks of Microchip Technology Incorporated in the U.S.A.

Adjacent Key Suppression, AKS, Analog-for-the-Digital Age, Any Capacitor, AnyIn, AnyOut, BlueSky, BodyCom, CodeGuard, CryptoAuthentication, CryptoAutomotive, CryptoCompanion, CryptoController, dsPICDEM, dsPICDEM.net, Dynamic Average Matching, DAM, ECAN, EtherGREEN, In-Circuit Serial Programming, ICSP, INICnet, Inter-Chip Connectivity, JitterBlocker, KlearNet, KlearNet logo, memBrain, Mindi, MiWi, MPASM, MPF, MPLAB Certified logo, MPLIB, MPLINK, MultiTRAK, NetDetach, Omniscient Code Generation, PICDEM, PICDEM.net, PICkit, PICtail, PowerSmart, PureSilicon, QMatrix, REAL ICE, Ripple Blocker, SAM-ICE, Serial Quad I/O, SMART-I.S., SQR, SuperSwitcher, SuperSwitcher II, Total Endurance, TSHARC, USBCheck, VariSense, ViewSpan, WiperLock, Wireless DNA, and ZENA are trademarks of Microchip Technology Incorporated in the U.S.A. and other countries.

SQTP is a service mark of Microchip Technology Incorporated in the U.S.A.

The Adaptec logo, Frequency on Demand, Silicon Storage Technology, and Symmcom are registered trademarks of Microchip Technology Inc. in other countries.

GestIC is a registered trademark of Microchip Technology Germany II GmbH & Co. KG, a subsidiary of Microchip Technology Inc., in other countries.

All other trademarks mentioned herein are property of their respective companies.

© 2020, Microchip Technology Incorporated, All Rights Reserved.

ISBN:978-1-5224-5507-3

For information regarding Microchip's Quality Management Systems, please visit www.microchip.com/quality.



MICROCHIP

Worldwide Sales and Service

AMERICAS

Corporate Office
2355 West Chandler Blvd.
Chandler, AZ 85224-6199
Tel: 480-792-7200
Fax: 480-792-7277
Technical Support:
<http://www.microchip.com/support>
Web Address:
www.microchip.com

Atlanta
Duluth, GA
Tel: 678-957-9614
Fax: 678-957-1455

Austin, TX
Tel: 512-257-3370

Boston
Westborough, MA
Tel: 774-760-0087
Fax: 774-760-0088

Chicago
Itasca, IL
Tel: 630-285-0071
Fax: 630-285-0075

Dallas
Addison, TX
Tel: 972-818-7423
Fax: 972-818-2924

Detroit
Novi, MI
Tel: 248-848-4000

Houston, TX
Tel: 281-894-5983

Indianapolis
Noblesville, IN
Tel: 317-773-8323
Fax: 317-773-5453
Tel: 317-536-2380

Los Angeles
Mission Viejo, CA
Tel: 949-462-9523
Fax: 949-462-9608
Tel: 951-273-7800

Raleigh, NC
Tel: 919-844-7510

New York, NY
Tel: 631-435-6000

San Jose, CA
Tel: 408-735-9110
Tel: 408-436-4270

Canada - Toronto
Tel: 905-695-1980
Fax: 905-695-2078

ASIA/PACIFIC

Australia - Sydney
Tel: 61-2-9868-6733

China - Beijing
Tel: 86-10-8569-7000

China - Chengdu
Tel: 86-28-8665-5511

China - Chongqing
Tel: 86-23-8980-9588

China - Dongguan
Tel: 86-769-8702-9880

China - Guangzhou
Tel: 86-20-8755-8029

China - Hangzhou
Tel: 86-571-8792-8115

China - Hong Kong SAR
Tel: 852-2943-5100

China - Nanjing
Tel: 86-25-8473-2460

China - Qingdao
Tel: 86-532-8502-7355

China - Shanghai
Tel: 86-21-3326-8000

China - Shenyang
Tel: 86-24-2334-2829

China - Shenzhen
Tel: 86-755-8864-2200

China - Suzhou
Tel: 86-186-6233-1526

China - Wuhan
Tel: 86-27-5980-5300

China - Xian
Tel: 86-29-8833-7252

China - Xiamen
Tel: 86-592-2388138

China - Zhuhai
Tel: 86-756-3210040

ASIA/PACIFIC

India - Bangalore
Tel: 91-80-3090-4444

India - New Delhi
Tel: 91-11-4160-8631

India - Pune
Tel: 91-20-4121-0141

Japan - Osaka
Tel: 81-6-6152-7160

Japan - Tokyo
Tel: 81-3-6880-3770

Korea - Daegu
Tel: 82-53-744-4301

Korea - Seoul
Tel: 82-2-554-7200

Malaysia - Kuala Lumpur
Tel: 60-3-7651-7906

Malaysia - Penang
Tel: 60-4-227-8870

Philippines - Manila
Tel: 63-2-634-9065

Singapore
Tel: 65-6334-8870

Taiwan - Hsin Chu
Tel: 886-3-577-8366

Taiwan - Kaohsiung
Tel: 886-7-213-7830

Taiwan - Taipei
Tel: 886-2-2508-8600

Thailand - Bangkok
Tel: 66-2-694-1351

Vietnam - Ho Chi Minh
Tel: 84-28-5448-2100

EUROPE

Austria - Wels
Tel: 43-7242-2244-39
Fax: 43-7242-2244-393

Denmark - Copenhagen
Tel: 45-4450-2828
Fax: 45-4485-2829

Finland - Espoo
Tel: 358-9-4520-820

France - Paris
Tel: 33-1-69-53-63-20
Fax: 33-1-69-30-90-79

Germany - Garching
Tel: 49-8931-9700

Germany - Haan
Tel: 49-2129-3766400

Germany - Heilbronn
Tel: 49-7131-72400

Germany - Karlsruhe
Tel: 49-721-625370

Germany - Munich
Tel: 49-89-627-144-0
Fax: 49-89-627-144-44

Germany - Rosenheim
Tel: 49-8031-354-560

Israel - Ra'anana
Tel: 972-9-744-7705

Italy - Milan
Tel: 39-0331-742611
Fax: 39-0331-466781

Italy - Padova
Tel: 39-049-7625286

Netherlands - Drunen
Tel: 31-416-690399
Fax: 31-416-690340

Norway - Trondheim
Tel: 47-7288-4388

Poland - Warsaw
Tel: 48-22-3325737

Romania - Bucharest
Tel: 40-21-407-87-50

Spain - Madrid
Tel: 34-91-708-08-90
Fax: 34-91-708-08-91

Sweden - Gothenberg
Tel: 46-31-704-60-40

Sweden - Stockholm
Tel: 46-8-5090-4654

UK - Wokingham
Tel: 44-118-921-5800
Fax: 44-118-921-5820