

To our customers,

---

## Old Company Name in Catalogs and Other Documents

---

On April 1<sup>st</sup>, 2010, NEC Electronics Corporation merged with Renesas Technology Corporation, and Renesas Electronics Corporation took over all the business of both companies. Therefore, although the old company name remains in this document, it is a valid Renesas Electronics document. We appreciate your understanding.

Renesas Electronics website: <http://www.renesas.com>

April 1<sup>st</sup>, 2010  
Renesas Electronics Corporation

Issued by: Renesas Electronics Corporation (<http://www.renesas.com>)

Send any inquiries to <http://www.renesas.com/inquiry>.

## Notice

1. All information included in this document is current as of the date this document is issued. Such information, however, is subject to change without any prior notice. Before purchasing or using any Renesas Electronics products listed herein, please confirm the latest product information with a Renesas Electronics sales office. Also, please pay regular and careful attention to additional and different information to be disclosed by Renesas Electronics such as that disclosed through our website.
2. Renesas Electronics does not assume any liability for infringement of patents, copyrights, or other intellectual property rights of third parties by or arising from the use of Renesas Electronics products or technical information described in this document. No license, express, implied or otherwise, is granted hereby under any patents, copyrights or other intellectual property rights of Renesas Electronics or others.
3. You should not alter, modify, copy, or otherwise misappropriate any Renesas Electronics product, whether in whole or in part.
4. Descriptions of circuits, software and other related information in this document are provided only to illustrate the operation of semiconductor products and application examples. You are fully responsible for the incorporation of these circuits, software, and information in the design of your equipment. Renesas Electronics assumes no responsibility for any losses incurred by you or third parties arising from the use of these circuits, software, or information.
5. When exporting the products or technology described in this document, you should comply with the applicable export control laws and regulations and follow the procedures required by such laws and regulations. You should not use Renesas Electronics products or the technology described in this document for any purpose relating to military applications or use by the military, including but not limited to the development of weapons of mass destruction. Renesas Electronics products and technology may not be used for or incorporated into any products or systems whose manufacture, use, or sale is prohibited under any applicable domestic or foreign laws or regulations.
6. Renesas Electronics has used reasonable care in preparing the information included in this document, but Renesas Electronics does not warrant that such information is error free. Renesas Electronics assumes no liability whatsoever for any damages incurred by you resulting from errors in or omissions from the information included herein.
7. Renesas Electronics products are classified according to the following three quality grades: “Standard”, “High Quality”, and “Specific”. The recommended applications for each Renesas Electronics product depends on the product’s quality grade, as indicated below. You must check the quality grade of each Renesas Electronics product before using it in a particular application. You may not use any Renesas Electronics product for any application categorized as “Specific” without the prior written consent of Renesas Electronics. Further, you may not use any Renesas Electronics product for any application for which it is not intended without the prior written consent of Renesas Electronics. Renesas Electronics shall not be in any way liable for any damages or losses incurred by you or third parties arising from the use of any Renesas Electronics product for an application categorized as “Specific” or for which the product is not intended where you have failed to obtain the prior written consent of Renesas Electronics. The quality grade of each Renesas Electronics product is “Standard” unless otherwise expressly specified in a Renesas Electronics data sheets or data books, etc.
  - “Standard”: Computers; office equipment; communications equipment; test and measurement equipment; audio and visual equipment; home electronic appliances; machine tools; personal electronic equipment; and industrial robots.
  - “High Quality”: Transportation equipment (automobiles, trains, ships, etc.); traffic control systems; anti-disaster systems; anti-crime systems; safety equipment; and medical equipment not specifically designed for life support.
  - “Specific”: Aircraft; aerospace equipment; submersible repeaters; nuclear reactor control systems; medical equipment or systems for life support (e.g. artificial life support devices or systems), surgical implantations, or healthcare intervention (e.g. excision, etc.), and any other applications or purposes that pose a direct threat to human life.
8. You should use the Renesas Electronics products described in this document within the range specified by Renesas Electronics, especially with respect to the maximum rating, operating supply voltage range, movement power voltage range, heat radiation characteristics, installation and other product characteristics. Renesas Electronics shall have no liability for malfunctions or damages arising out of the use of Renesas Electronics products beyond such specified ranges.
9. Although Renesas Electronics endeavors to improve the quality and reliability of its products, semiconductor products have specific characteristics such as the occurrence of failure at a certain rate and malfunctions under certain use conditions. Further, Renesas Electronics products are not subject to radiation resistance design. Please be sure to implement safety measures to guard them against the possibility of physical injury, and injury or damage caused by fire in the event of the failure of a Renesas Electronics product, such as safety design for hardware and software including but not limited to redundancy, fire control and malfunction prevention, appropriate treatment for aging degradation or any other appropriate measures. Because the evaluation of microcomputer software alone is very difficult, please evaluate the safety of the final products or system manufactured by you.
10. Please contact a Renesas Electronics sales office for details as to environmental matters such as the environmental compatibility of each Renesas Electronics product. Please use Renesas Electronics products in compliance with all applicable laws and regulations that regulate the inclusion or use of controlled substances, including without limitation, the EU RoHS Directive. Renesas Electronics assumes no liability for damages or losses occurring as a result of your noncompliance with applicable laws and regulations.
11. This document may not be reproduced or duplicated, in any form, in whole or in part, without prior written consent of Renesas Electronics.
12. Please contact a Renesas Electronics sales office if you have any questions regarding the information contained in this document or Renesas Electronics products, or if you have any other inquiries.

(Note 1) “Renesas Electronics” as used in this document means Renesas Electronics Corporation and also includes its majority-owned subsidiaries.

(Note 2) “Renesas Electronics product(s)” means any product developed or manufactured by or for Renesas Electronics.

# HD74HC Series Common Information



September 2000

Customer Service Division  
Semiconductor & Integrated Circuits  
Hitachi, Ltd.

## Cautions

1. Hitachi neither warrants nor grants licenses of any rights of Hitachi's or any third party's patent, copyright, trademark, or other intellectual property rights for information contained in this document. Hitachi bears no responsibility for problems that may arise with third party's rights, including intellectual property rights, in connection with use of the information contained in this document.
2. Products and product specifications may be subject to change without notice. Confirm that you have received the latest product standards or specifications before final design, purchase or use.
3. Hitachi makes every attempt to ensure that its products are of high quality and reliability. However, contact Hitachi's sales office before using the product in an application that demands especially high quality and reliability or where its failure or malfunction may directly threaten human life or cause risk of bodily injury, such as aerospace, aeronautics, nuclear power, combustion control, transportation, traffic, safety equipment or medical equipment for life support.
4. Design your application so that the product is used within the ranges guaranteed by Hitachi particularly for maximum rating, operating supply voltage range, heat radiation characteristics, installation conditions and other characteristics. Hitachi bears no responsibility for failure or damage when used beyond the guaranteed ranges. Even within the guaranteed ranges, consider normally foreseeable failure rates or failure modes in semiconductor devices and employ systemic measures such as fail-safes, so that the equipment incorporating Hitachi product does not cause bodily injury, fire or other consequential damage due to operation of the Hitachi product.
5. This product is not designed to be radiation resistant.
6. No one is permitted to reproduce or duplicate, in any form, the whole or part of this document without written approval from Hitachi.
7. Contact Hitachi's sales office for any questions regarding this document or Hitachi semiconductor products.

To all our customers

---

## **Regarding the change of names mentioned in the document, such as Hitachi Electric and Hitachi XX, to Renesas Technology Corp.**

---

The semiconductor operations of Mitsubishi Electric and Hitachi were transferred to Renesas Technology Corporation on April 1st 2003. These operations include microcomputer, logic, analog and discrete devices, and memory chips other than DRAMs (flash memory, SRAMs etc.) Accordingly, although Hitachi, Hitachi, Ltd., Hitachi Semiconductors, and other Hitachi brand names are mentioned in the document, these names have in fact all been changed to Renesas Technology Corp. Thank you for your understanding. Except for our corporate trademark, logo and corporate statement, no changes whatsoever have been made to the contents of the document, and these changes do not constitute any alteration to the contents of the document itself.

Renesas Technology Home Page: <http://www.renesas.com>

Renesas Technology Corp.  
Customer Support Dept.  
April 1, 2003

## Cautions

Keep safety first in your circuit designs!

1. Renesas Technology Corporation puts the maximum effort into making semiconductor products better and more reliable, but there is always the possibility that trouble may occur with them. Trouble with semiconductors may lead to personal injury, fire or property damage.

Remember to give due consideration to safety when making your circuit designs, with appropriate measures such as (i) placement of substitutive, auxiliary circuits, (ii) use of nonflammable material or (iii) prevention against any malfunction or mishap.

Notes regarding these materials

1. These materials are intended as a reference to assist our customers in the selection of the Renesas Technology Corporation product best suited to the customer's application; they do not convey any license under any intellectual property rights, or any other rights, belonging to Renesas Technology Corporation or a third party.
2. Renesas Technology Corporation assumes no responsibility for any damage, or infringement of any third-party's rights, originating in the use of any product data, diagrams, charts, programs, algorithms, or circuit application examples contained in these materials.
3. All information contained in these materials, including product data, diagrams, charts, programs and algorithms represents information on products at the time of publication of these materials, and are subject to change by Renesas Technology Corporation without notice due to product improvements or other reasons. It is therefore recommended that customers contact Renesas Technology Corporation or an authorized Renesas Technology Corporation product distributor for the latest product information before purchasing a product listed herein.  
The information described here may contain technical inaccuracies or typographical errors. Renesas Technology Corporation assumes no responsibility for any damage, liability, or other loss rising from these inaccuracies or errors.  
Please also pay attention to information published by Renesas Technology Corporation by various means, including the Renesas Technology Corporation Semiconductor home page (<http://www.renesas.com>).
4. When using any or all of the information contained in these materials, including product data, diagrams, charts, programs, and algorithms, please be sure to evaluate all information as a total system before making a final decision on the applicability of the information and products. Renesas Technology Corporation assumes no responsibility for any damage, liability or other loss resulting from the information contained herein.
5. Renesas Technology Corporation semiconductors are not designed or manufactured for use in a device or system that is used under circumstances in which human life is potentially at stake. Please contact Renesas Technology Corporation or an authorized Renesas Technology Corporation product distributor when considering the use of a product contained herein for any specific purposes, such as apparatus or systems for transportation, vehicular, medical, aerospace, nuclear, or undersea repeater use.
6. The prior written approval of Renesas Technology Corporation is necessary to reprint or reproduce in whole or in part these materials.
7. If these products or technologies are subject to the Japanese export control restrictions, they must be exported under a license from the Japanese government and cannot be imported into a country other than the approved destination.  
Any diversion or reexport contrary to the export control laws and regulations of Japan and/or the country of destination is prohibited.
8. Please contact Renesas Technology Corporation for further details on these materials or the products contained therein.

# Outline of Hitachi High-Speed CMOS Logic

## Features of High-Speed CMOS Logic

Hitachi's HS-CMOS logics—the HD74HC series—and the HCT series based on the EIA/JEDEC specification. Their specification are shown in the Maximum Ratings and the Electrical Characteristics Tables. The HS-CMOS has the characteristics of both standard CMOS logic series and LS-TTL series.

The features of this logic are:

- High-Speed equivalent to the LS-TTL's
- Capable of driving 10LS-TTL loads  
(Capable of driving 15LS-TTL loads in bus drivers)
- Maximum input current of  $\pm 1 \mu\text{A}$  at 6 V power supply
- Wide supply voltage range: HC series 2 to 6 V  
HCT series 4.5 to 5.5 V
- Wide noise margin
- $V_{CC}$  assurance of Electrical Characteristics at 2.0, 4.5 and 6.0 V
- Low Static Power Consumption 1/2 of EIA/JEDEC

## Type Name of High-Speed CMOS Logic

The JEDEC has divided the HS-CMOS's into two types: HC and HCT. The HC type has the CMOS logic level for inputs and outputs with buffers. The HCT type has the TTL logic level for inputs and the outputs have buffers.

The industry-standardized maximum ratings and recommended operating range are shown below. Limits for the static characteristics are shown below (right): Table 1 is in the industry-standard and Table 2 is the Hitachi specifications.

The Hitachi specifications is used throughout this data book. Additional specification are shown in the individual data sheets. Switching characteristics are specified under the following conditions:

- Input pulse voltage:  $+V_{CC}$
- Load capacitance: 50 pF
- Input pulse rise/fall time: 6 ns

Switching times measured from 50% point of input voltage to 50% point of output voltage

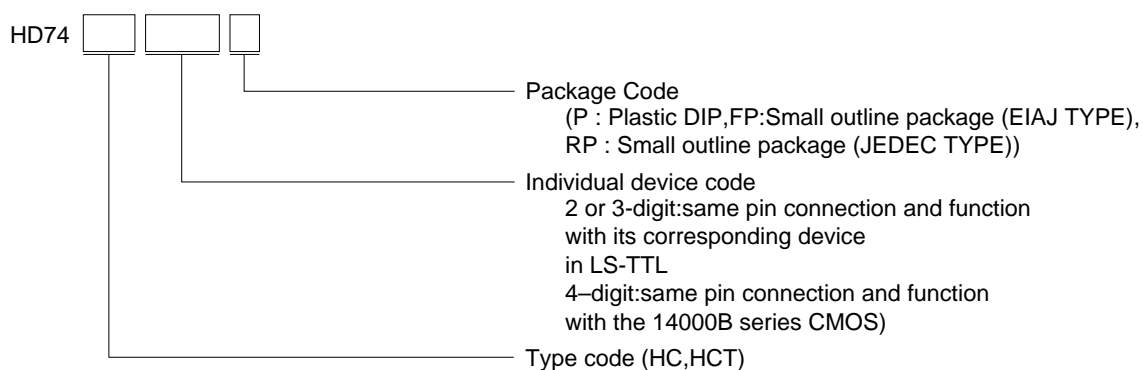
- Three different supply voltages: 2.0, 4.5 and 6.0 V

## Input Levels of Each Series Type ( $V_{CC} = 5 \text{ V}$ )

Type	Input level		Remarks
	$V_{IH}$	$V_{IL}$	
HC series	3.5 V	1.5 V	—
HCT series	2.0 V	0.8 V	TTL logic level for inputs

## Outline of Hitachi High-Speed CMOS Logic

### Type Name of HS-CMOS Logic



### Absolute Maximum Ratings (Voltages Referenced to GND)

Item	Symbol	Rating	Unit
Supply voltage	$V_{CC}$	-0.5 to +7	V
I/O voltage	$V_{IN}, V_{OUT}$	-0.5 to $V_{CC} + 0.5$	V
I/O diode current	$I_{IK}, I_{OK}$	$\pm 20$	mA
Output current	$I_O$	$\pm 25$	mA
$V_{CC}, GND$ current	$I_{CC}, I_{GND}$	$\pm 50$	mA
Power dissipation	$P_T$	500	mW
Storage temperature Range	Tstg	-65 to +150	$^{\circ}C$

Additional specification values are shown on the individual data sheets.

### Recommended Operating Range

#### HD74HC

Item	Symbol	Rating	Unit	Condition
Supply voltage	$V_{CC}$	2 to 6	V	
I/O voltage	$V_{IN}, V_{OUT}$	0 to $V_{CC}$	V	
Operating temperature	Ta	-40 to +85	$^{\circ}C$	
Input rise/fall time	$t_r, t_f$	0 to 1000	ns	$V_{CC} = 2.0 V$
		0 to 500		$V_{CC} = 4.5 V$
		0 to 400		$V_{CC} = 6.0 V$

## Outline of Hitachi High-Speed CMOS Logic

### HD74HCT

Item	Symbol	Rating	Unit	Condition
Supply voltage	$V_{CC}$	4.5 to 5.5	V	
I/O voltage	$V_{IN}$ , $V_{OUT}$	0 to $V_{CC}$	V	
Operating temperature	$T_a$	-40 to +85	°C	
Input rise/fall time	$t_r$ , $t_f$	0 to 1000	ns	$V_{CC} = 2.0$ V
		0 to 500		$V_{CC} = 4.5$ V
		0 to 400		$V_{CC} = 6.0$ V

### HD74HC14, HC132

Item	Symbol	Rating	Unit	Condition
Input rise/fall time	$t_r$ , $t_f$	0 to unlimited	ns	$V_{CC} = 2.0$ V
		0 to unlimited		$V_{CC} = 4.5$ V
		0 to unlimited		$V_{CC} = 6.0$ V

### HD74HC123A, HC221, HC423A

Item	Symbol	Rating	Unit	Condition
A, B Input rise/fall time	$t_r$ , $t_f$	0 to unlimited	ns	$V_{CC} = 2.0$ V
		0 to unlimited		$V_{CC} = 4.5$ V
		0 to unlimited		$V_{CC} = 6.0$ V
CLR Input rise/fall time	$t_r$ , $t_f$	0 to 1000	ns	$V_{CC} = 2.0$ V
		0 to 500		$V_{CC} = 4.5$ V
		0 to 400		$V_{CC} = 6.0$ V

### HD74HC4538

Item	Symbol	Rating	Unit	Condition
A, B Input rise/fall time	$t_r$ , $t_f$	0 to unlimited	ns	$V_{CC} = 2.0$ V
		0 to unlimited		$V_{CC} = 4.5$ V
		0 to unlimited		$V_{CC} = 6.0$ V
CD Input rise/fall time	$t_r$ , $t_f$	0 to 1000	ns	$V_{CC} = 2.0$ V
		0 to 500		$V_{CC} = 4.5$ V
		0 to 400		$V_{CC} = 6.0$ V



---

## Outline of Hitachi High-Speed CMOS Logic

---

### HD74HC540, HC541

Item	Symbol	Rating	Unit	Condition
A Input rise/fall time	tr, tf	0 to unlimited	ns	$V_{CC} = 2.0\text{ V}$
		0 to unlimited		$V_{CC} = 4.5\text{ V}$
		0 to unlimited		$V_{CC} = 6.0\text{ V}$
$\bar{G}$ Input rise/fall time	tr, tf	0 to 1000	ns	$V_{CC} = 2.0\text{ V}$
		0 to 500		$V_{CC} = 4.5\text{ V}$
		0 to 400		$V_{CC} = 6.0\text{ V}$

## Outline of Hitachi High-Speed CMOS Logic

**Table 1 EIA/JEDEC Format for High-Speed CMOS Specifications**

Parameters	Symbol	$V_{CC}(V)$	Limits				Unit	Test Conditions				
			+25°C		-40 to +85°C							
			min	max	min	max						
Input voltage	HC Series	$V_{IH}$	2.0	1.5	—	1.5	—	V				
			4.5	3.15	—	3.15	—					
			6.0	4.2	—	4.2	—					
	HCT Series	4.5 to 5.5	2.0	—	2.0	—						
			2.0	—	2.0	—						
			2.0	—	2.0	—						
Input voltage	HC Series	$V_{IL}$	2.0	—	0.3	—	0.3	V				
			4.5	—	0.9	—	0.9					
			6.0	—	1.2	—	1.2					
	HCT Series	4.5 to 5.5	—	0.8	—	0.8						
			—	0.8	—	0.8						
			—	0.8	—	0.8						
Output voltage	HC Series	Standard type	$V_{OH}$	2.0	1.9	—	1.9	—	V	$V_{in} = V_{IH} \text{ or } V_{IL}$	$I_{out} = -20 \mu A$	
				4.5	4.4	—	4.4	—				
				6.0	5.9	—	5.9	—				
				4.5	3.98	—	3.84	—				$I_{out} = -4.0 \text{ mA}$
				6.0	5.48	—	5.34	—				$I_{out} = -5.2 \text{ mA}$
				2.0	1.9	—	1.9	—				$V_{in} = V_{IH} \text{ or } V_{IL}$
	4.5	4.4	—	4.4	—							
	6.0	5.9	—	5.9	—							
	4.5	3.98	—	3.84	—	$I_{out} = -6.0 \text{ mA}$						
	6.0	5.48	—	5.34	—	$I_{out} = -7.8 \text{ mA}$						
	4.5	4.4	—	4.4	—	$V_{in} = V_{IH} \text{ or } V_{IL}$	$I_{out} = -20 \mu A$					
	4.5	3.98	—	3.84	—			$I_{out} = -4.0 \text{ mA}$				
	4.5	4.4	—	4.4	—			$I_{out} = -20 \mu A$				
	4.5	3.98	—	3.84	—			$I_{out} = -6.0 \text{ mA}$				
	4.5	4.4	—	4.4	—			$V_{in} = V_{IH} \text{ or } V_{IL}$	$I_{out} = 20 \mu A$			
	4.5	3.98	—	3.84	—					$I_{out} = -4.0 \text{ mA}$		
	4.5	4.4	—	4.4	—	$I_{out} = -20 \mu A$						
	4.5	3.98	—	3.84	—	$I_{out} = -6.0 \text{ mA}$						
2.0	—	0.1	—	0.1	V	$V_{in} = V_{IH} \text{ or } V_{IL}$	$I_{out} = 20 \mu A$					
4.5	—	0.1	—	0.1								
6.0	—	0.1	—	0.1								
4.5	—	0.26	—	0.33				$I_{out} = 4.0 \text{ mA}$				
6.0	—	0.26	—	0.33				$I_{out} = 5.2 \text{ mA}$				
2.0	—	0.1	—	0.1				$V_{in} = V_{IH} \text{ or } V_{IL}$	$I_{out} = 20 \mu A$			
4.5	—	0.1	—	0.1								
6.0	—	0.1	—	0.1								

## Outline of Hitachi High-Speed CMOS Logic

Parameters		Symbol	Limits				Unit	Test Conditions			
			$V_{CC}(V)$		-40 to +85°C						
			min	max	min	max					
Output voltage	HC	Bus driver	4.5	—	0.26	—	0.33	V	$V_{in} = V_{IH}$ or $V_{IL}$	$I_{out} = 6.0$ mA	
	Series	type	6.0	—	0.26	—	0.33			$I_{out} = 7.8$ mA	
	HCT	Standard	4.5	—	0.1	—	0.1		$V_{in} = V_{IH}$ or $V_{IL}$	$I_{out} = 20$ $\mu$ A	
	Series	type	4.5	—	0.26	—	0.33			$I_{out} = 4.0$ mA	
			Bus driver	4.5	—	0.1	—	0.1	$V_{in} = V_{IH}$ or $V_{IL}$	$I_{out} = 20$ $\mu$ A	
			type	4.5	—	0.26	—	0.33		$I_{out} = 6.0$ mA	
Input leakage current	HC Series	$I_i$	6.0	—	$\pm 0.1$	—	$\pm 1.0$	$\mu$ A	$V_{in} = V_{CC}$ or GND		
	HCT Series		5.5	—	$\pm 0.1$	—	$\pm 1.0$				
Analog switch off-state current	HC Series	$I_{S(off)}$	6.0	—	$\pm 0.1$	—	$\pm 1.0$	$\mu$ A	$V_{in} = V_{IH}$ or $V_{IL}$		
	HCT Series		5.5	—	$\pm 0.1$	—	$\pm 1.0$		$ V_S  = V_{CC}$ or $V_{CC} - V_{EE}$		
3-state output off-state current	HC Series	$I_{OZ}$	6.0	—	$\pm 0.5$	—	$\pm 5.0$	$\mu$ A	$V_{in} = V_{IH}$ or $V_{IL}$		
	HCT Series		5.5	—	$\pm 0.5$	—	$\pm 5.0$		$V_{out} = V_{CC}$ or GND		
Quiescent supply current	HC	SSI	$I_{CC}$	6.0	—	2.0	—	20	$\mu$ A	$V_{in} = V_{CC}$ or GND	
	Series	FF		6.0	—	4.0	—	40		$I_{out} = 0$ $\mu$ A	
		MSI		6.0	—	8.0	—	80			
	HCT	SSI		5.5	—	2.0	—	20			
	Series	FF		5.5	—	4.0	—	40			
		MSI		5.5	—	8.0	—	80			

## Outline of Hitachi High-Speed CMOS Logic

**Table 2 Hitachi High-Speed CMOS Series Specifications**

Parameters	Symbol	$V_{CC}(V)$	Limits				Unit	Test Conditions								
			+25°C		-40 to +85°C											
			min	max	min	max										
Input voltage	HC Series	$V_{IH}$	2.0	1.5 —	1.5	—	V									
			4.5	3.15 —	3.15	—										
			6.0	4.2 —	4.2	—										
	HCT Series	4.5 to 5.5	2.0	—	2.0	—										
			2.0	—	0.5	—			V							
			4.5	—	1.35	—										
HC Series	$V_{IL}$	2.0	—	0.5	—	V										
		4.5	—	1.35	—											
		6.0	—	1.8	—											
HCT Series	4.5 to 5.5	—	—	0.8	—	0.8										
		—	—	0.8	—											
		—	—	0.8	—											
Output voltage	HC Series	Standard type	$V_{OH}$	2.0	1.9 —	1.9	—	V	$V_{in} = V_{IH} \text{ or } V_{IL}$ $I_{OH} = -20 \mu A$							
				4.5	4.4 —	4.4	—									
				6.0	5.9 —	5.9	—									
				4.5	4.18 —	4.13	—			$I_{OH} = -4.0 \text{ mA}$						
				6.0	5.68 —	5.63	—									
				6.0	5.68 —	5.63	—				$I_{OH} = -5.2 \text{ mA}$					
	Bus driver type	2.0	1.9 —	1.9	—	V	$V_{in} = V_{IH} \text{ or } V_{IL}$ $I_{OH} = -20 \mu A$									
								4.5	4.4 —	4.4		—				
								6.0	5.9 —	5.9	—					
								4.5	4.18 —	4.13	—	$I_{OH} = -6.0 \text{ mA}$				
								6.0	5.68 —	5.63	—					
								6.0	5.68 —	5.63	—		$I_{OH} = -7.8 \text{ mA}$			
	HCT Series	Standard type	$V_{OH}$	4.5	4.4 —	4.4	—	V	$V_{in} = V_{IH} \text{ or } V_{IL}$ $I_{OH} = -20 \mu A$							
				4.5	4.18 —	4.13	—			$I_{OH} = -4.0 \text{ mA}$						
				4.5	4.4 —	4.4	—									
				4.5	4.18 —	4.13	—				$I_{OH} = -6.0 \text{ mA}$					
				Bus driver type	4.5	4.4 —	4.4			—		V	$V_{in} = V_{IH} \text{ or } V_{IL}$ $I_{OH} = -20 \mu A$			
														4.5	4.18 —	4.13
4.5	4.18 —	4.13	—													
4.5	4.18 —	4.13	—					$I_{OH} = -6.0 \text{ mA}$								
HC Series	Standard type	$V_{OL}$	2.0						—		0.1			—	V	$V_{in} = V_{IH} \text{ or } V_{IL}$ $I_{OL} = 20 \mu A$
			4.5						—		0.1			—		
			6.0	—	0.1	—										
			4.5	—	0.26	—	0.33	V	$V_{in} = V_{IH} \text{ or } V_{IL}$ $I_{OL} = 4.0 \text{ mA}$							
			6.0	—	0.26	—										
			6.0	—	0.26	—				0.33	V	$I_{OL} = 5.2 \text{ mA}$				
Bus driver type	2.0	—	0.1	—	V	$V_{in} = V_{IH} \text{ or } V_{IL}$ $I_{OL} = 20 \mu A$										
							4.5	—	0.1				—			
							6.0	—	0.1	—						
							4.5	—	0.1	—	0.1	V	$I_{OL} = 20 \mu A$			
							6.0	—	0.1	—						
							6.0	—	0.1	—						

## Outline of Hitachi High-Speed CMOS Logic

Parameters			Symbol	Limits				Unit	Test Conditions	
				V <sub>CC</sub> (V)		-40 to +85°C				
				min	max	min	max			
Output voltage	HC	Bus driver	V <sub>OL</sub>	4.5	—	0.26	—	0.33	V	V <sub>in</sub> = V <sub>IH</sub> or V <sub>IL</sub> I <sub>OL</sub> = 6.0 mA
	Series	type		6.0	—	0.26	—	0.33		I <sub>OL</sub> = 7.8 mA
	HCT	Standard		4.5	—	0.1	—	0.1		V <sub>in</sub> = V <sub>IH</sub> or V <sub>IL</sub> I <sub>OL</sub> = 20 μA
	Series	type		4.5	—	0.26	—	0.33		I <sub>OL</sub> = 4.0 mA
		Bus driver	type		4.5	—	0.1	—	0.1	
				4.5	—	0.26	—	0.33		I <sub>OL</sub> = 6.0 mA
Input leakage current	HC Series		I <sub>I</sub>	6.0	—	±0.1	—	±1.0	μA	V <sub>in</sub> = V <sub>CC</sub> or GND
	HCT Series			5.5	—	±0.1	—	±1.0		
Analog Switch	HC Series		I <sub>S(off)</sub>	6.0	—	±0.1	—	±1.0	μA	V <sub>in</sub> = V <sub>IH</sub> or V <sub>IL</sub>
Off-state Current	HCT Series			5.5	—	±0.1	—	±1.0		V <sub>S</sub>   = V <sub>CC</sub> or V <sub>CC</sub> - V <sub>EE</sub>
3-state output Off-state Current	HC Series		I <sub>OZ</sub>	6.0	—	±0.5	—	±5.0	μA	V <sub>in</sub> = V <sub>IH</sub> or V <sub>IL</sub>
	HCT Series			5.5	—	±0.5	—	±5.0		V <sub>out</sub> = V <sub>CC</sub> or GND
Quiescent Supply Current	HC	SSI	I <sub>CC</sub>	6.0	—	1.0	—	10	μA	V <sub>in</sub> = V <sub>CC</sub> or GND
	Series	FF		6.0	—	2.0	—	20		I <sub>out</sub> = 0 μA
		MSI		6.0	—	4.0	—	40		
	HCT	SSI		5.5	—	1.0	—	10		
	Series	FF		5.5	—	2.0	—	20		
		MSI		5.5	—	4.0	—	40		

# Outline of Hitachi High-Speed CMOS Logic

## Symbols and Terms Defined for HD74HC Series

### 1. Explanation of Symbols Used in Electrical Characteristics and Recommended Operating Conditions

#### 1.1 DC characteristics

Symbol	Term	Description
$V_{IH}$	"H" level input voltage	"H" level input voltage to ensure that a logic element operates under some constraint.
$V_{IL}$	"L" level input voltage	"L" level input voltage to ensure that a logic element operates under some constraint.
$V_{OL}$	"L" level output voltage	Output voltage in effect when, under the input condition for bringing the output Low, the rated output current is allowed to flow to the output terminal.
$V_{OH}$	"H" level output voltage	Output voltage in effect when, under the input condition for bringing the output High, the rated output current is allowed to flow to the output terminal.
$V_T^+$	Forward input threshold voltage	Input voltage in effect when the operation of a logic element varies as the input is allowed to go up from a voltage level lower than the forward input threshold voltage $V_T^+$ .
$V_T^-$	Reverse input threshold voltage	Input voltage in effect when the operation of a logic element varies as the input is allowed to go up from a voltage level lower than the reverse input threshold voltage $V_T^-$ .
$V_H$	Hysteresis voltage	Difference between forward input threshold voltage $V_T^+$ and reverse threshold voltage $V_T^-$ .
$I_{OH}$	"H" level output current	Output current that flows out when, under the condition for bringing the output High, the rated output voltage $V_{OUT}$ is applied to the output terminal.
$I_{OL}$	"L" level output current	Output current that flows out when, under the condition for bringing the output High, the rated output voltage $V_{OUT}$ is applied to the output terminal.
$I_{IN}$	Input leakage current	Input current that flows in when the rated maximum input voltage is applied to the input terminal.
$I_{IH}$	"H" level input current	Input current that flows in when the rated "H" level voltage is applied to the input.
$I_{IL}$	"L" level input current	Input current that flows out when the rated "L" level voltage is applied to the input.
$I_{OZ}$	Off-state output current (high impedance)	Current that flows to the 3-state output of an element under the input condition for bringing the output to High impedance.
$I_{s(off)}$	Analog switch off-state current	Current that flows to the analog switch of an element under the input condition for bringing the switch to off-state.
$I_{CC}$	Quiescent supply current	Current that flows to the supply terminal ( $V_{CC}$ ) under the rated input condition.

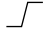

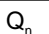



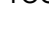
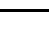
## Outline of Hitachi High-Speed CMOS Logic

### 1.2 AC characteristics

Symbol	Term	Description
$f_{\max}$	Maximum clock frequency	Maximum clock frequency that maintains the stable changes in output logic level in the rated sequence under the I/O condition allowing clock pulses to change the output state.
$t_{TLH}$	Rise (transient) time	Rated time from "L" level to "H" level of a waveform during the defined transient period changing from "L" level to "H" level.
$t_{THL}$	Fall (transient) time	Rated time from "H" level to "L" level of a waveform during the defined transient period changing from "H" level to "L" level.
$t_{PLH}$	Output rise propagation delay time	Delay time between the rated voltage levels of an I/O voltage waveform under a defined load condition, with the output changing from "L" level to "H" level.
$t_{PHL}$	Output fall propagation delay time	Delay time between the rated voltage levels of an I/O voltage waveform under a defined load condition, with the output changing from "H" level to "L" level.
$t_{HZ}$	3-state output disable time ("H" level)	Delay time between the rated voltage levels of an I/O voltage waveform under a defined load condition, with the 3-state output changing from "H" level to the high impedance state.
$t_{LZ}$	3-state output disable time ("L" level)	Delay time between the rated voltage levels of an I/O voltage waveform under a defined load condition, with the 3-state output changing from "L" level to the high impedance state.
$t_{ZH}$	3-state output enable time ("H" level)	Delay time between the rated voltage levels of an I/O voltage waveform under a defined load condition, with the 3-state output changing from the high impedance state to "H" level.
$t_{ZL}$	3-state output enable time ("L" level)	Delay time between the rated voltage levels of an I/O voltage waveform under a defined load condition, with the 3-state output changing from the high impedance state to "L" level.
$t_w$	Pulse width	Duration of time between the rated levels from a leading edge to a trailing edge of a pulse waveform.
$t_h$	Hold time	Time in which to hold data at the specified input terminal after a change at another related input terminal (e.g., clock input).
$t_{su}$	Setup time	Time in which to set up and keep data at the specified input terminal before a change at another related input terminal (e.g., clock input).
$t_{rm}$	Removal time	Time period between the time when data at the specified input terminal is released and the time when another related input terminal (e.g., clock input) can be changed.
$C_{in}$	Input capacitance	Capacitance between GND terminal and an input terminal to which 0 V is applied.

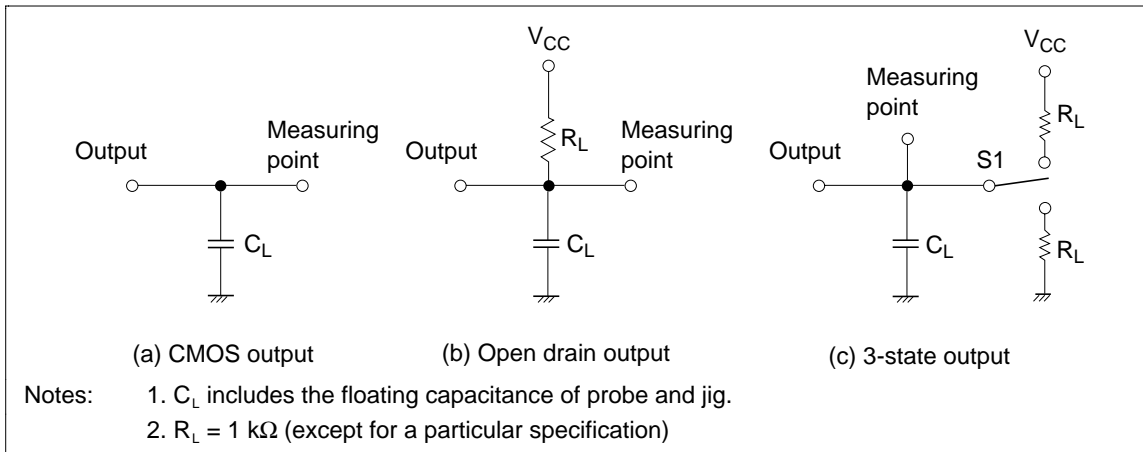
## Outline of Hitachi High-Speed CMOS Logic

### 2. Explanation of Symbols Used in Function Table

Symbol	Description
H	High level (in steady state; noted "H" or "H" level in sentences)
L	Low level (in steady state; noted "L" or "L" level in sentences)
	Transition from L level to H level
	Transition from H level to L level
X	Either H or L
Z	3-state output off (high impedance)
a.....h	Input level of steady state for each of inputs A-H
$Q_0$	Q level immediately before the indicated input condition is established
$\bar{Q}_0$	Complement of Q
$Q_n$	Q level immediately before the latest active change (  or  ) occurs
	Single H level pulse
	Single L level pulse
TOGGLE	Each output is changed to the complement of the preceding state by an active input change (  or  )

### Measuring Method of AC Characteristics

#### Loading Circuit





---

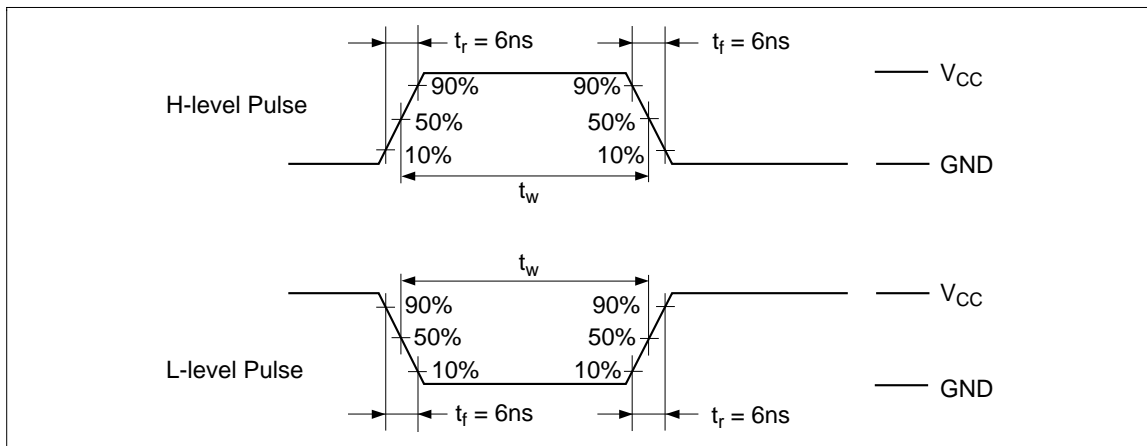
## Outline of Hitachi High-Speed CMOS Logic

---

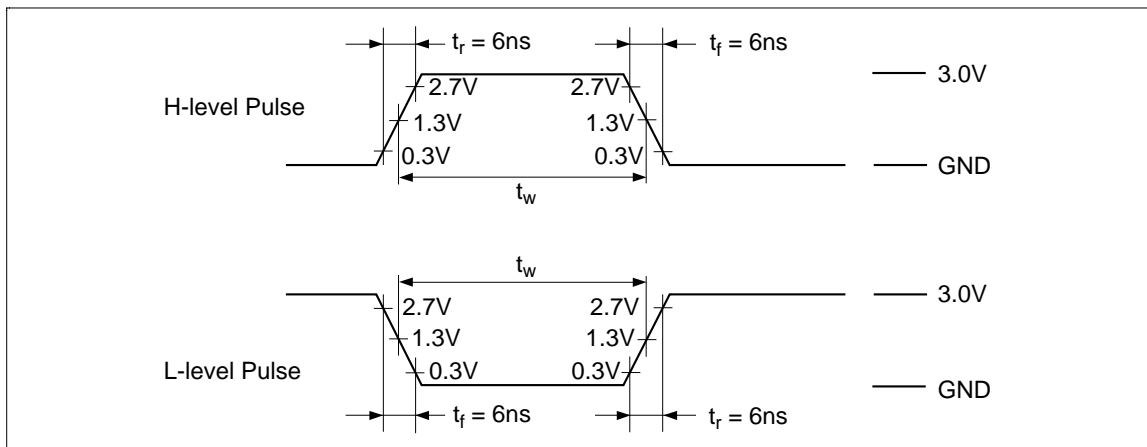
### Waveforms (Mutual relationship of waveforms)

#### Pulse Width ( $T_w$ )

74HC Series



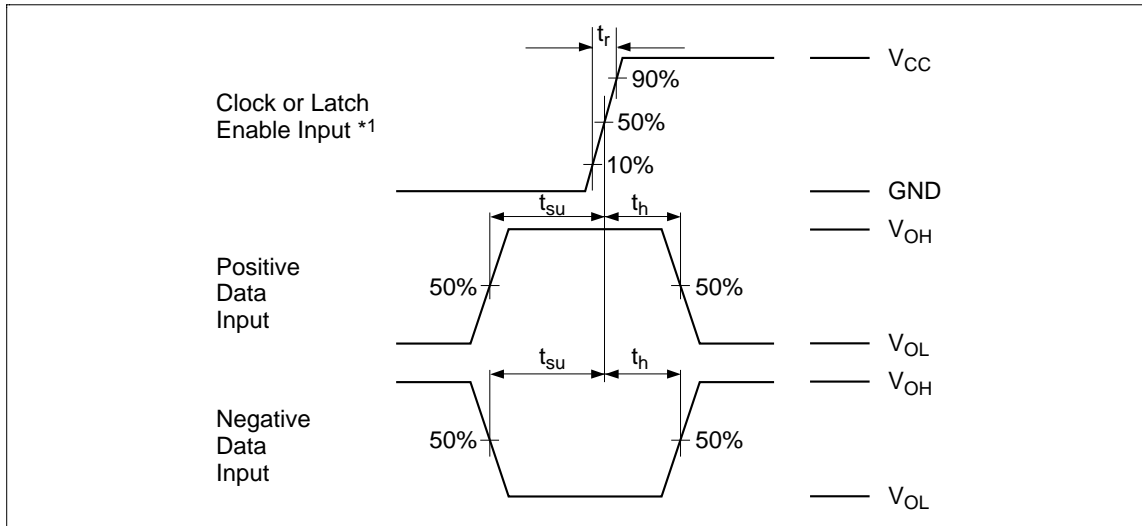
74HCT Series



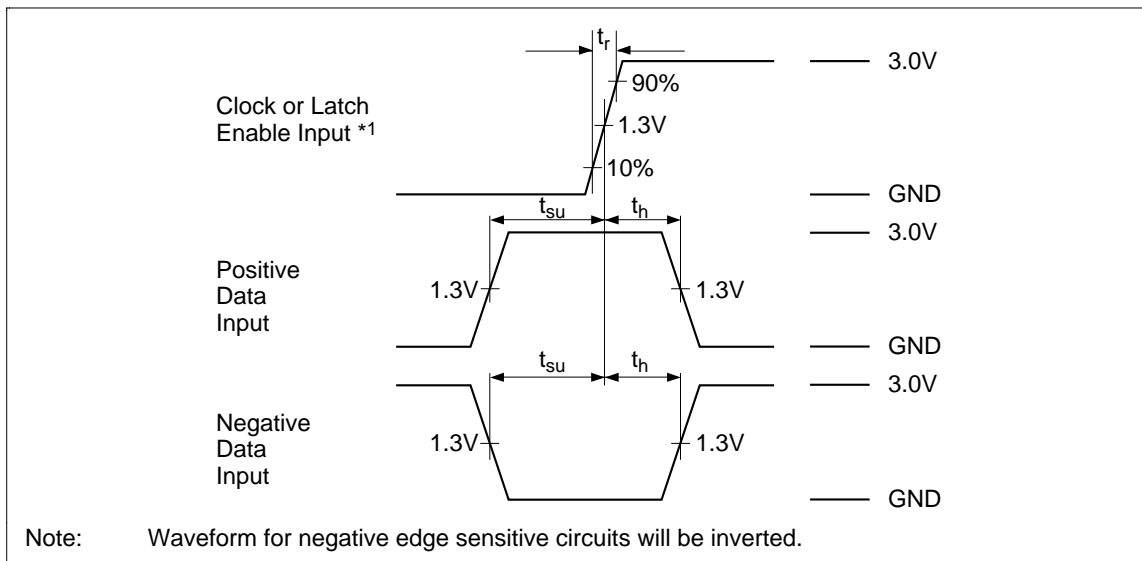
# Outline of Hitachi High-Speed CMOS Logic

## Setup Time and Hold Time

74HC Series



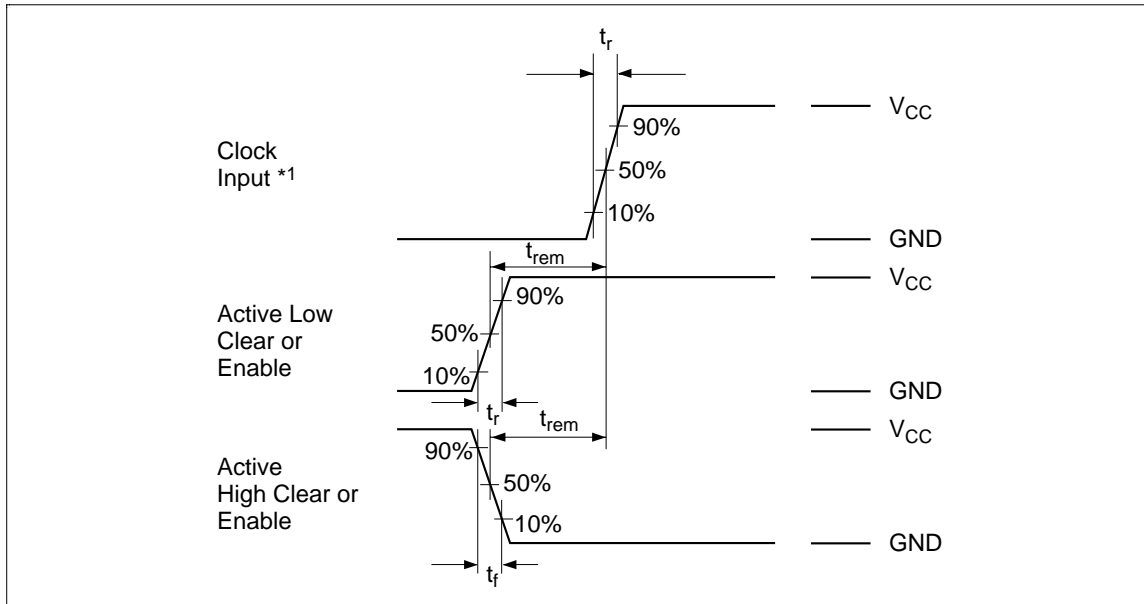
74HCT Series



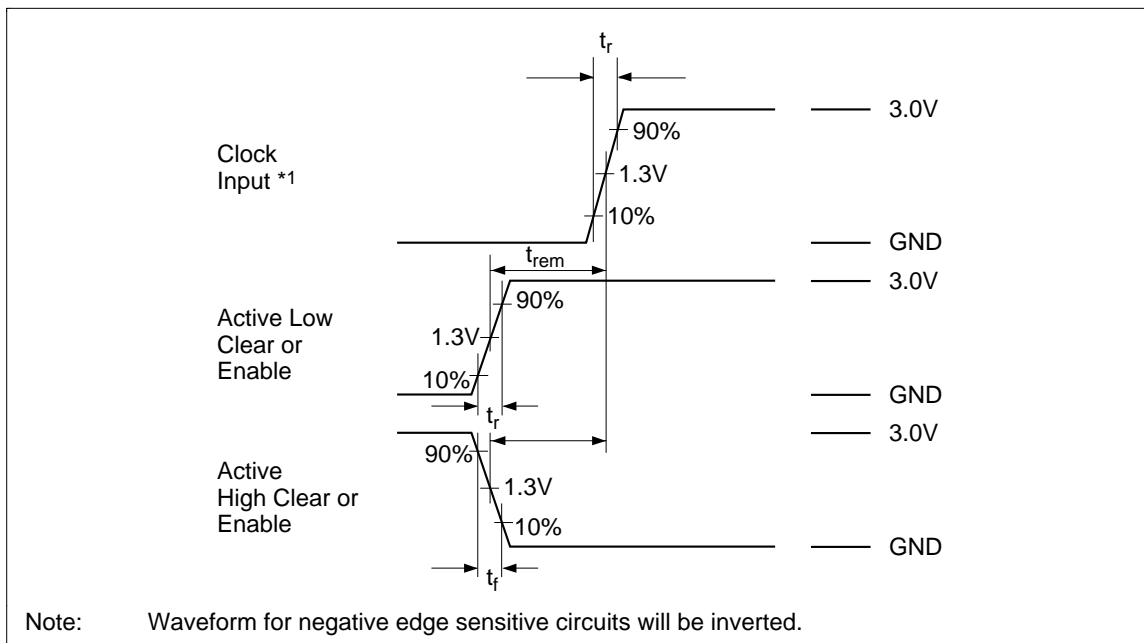
# Outline of Hitachi High-Speed CMOS Logic

## Removal Time

74HC Series



74HCT Series

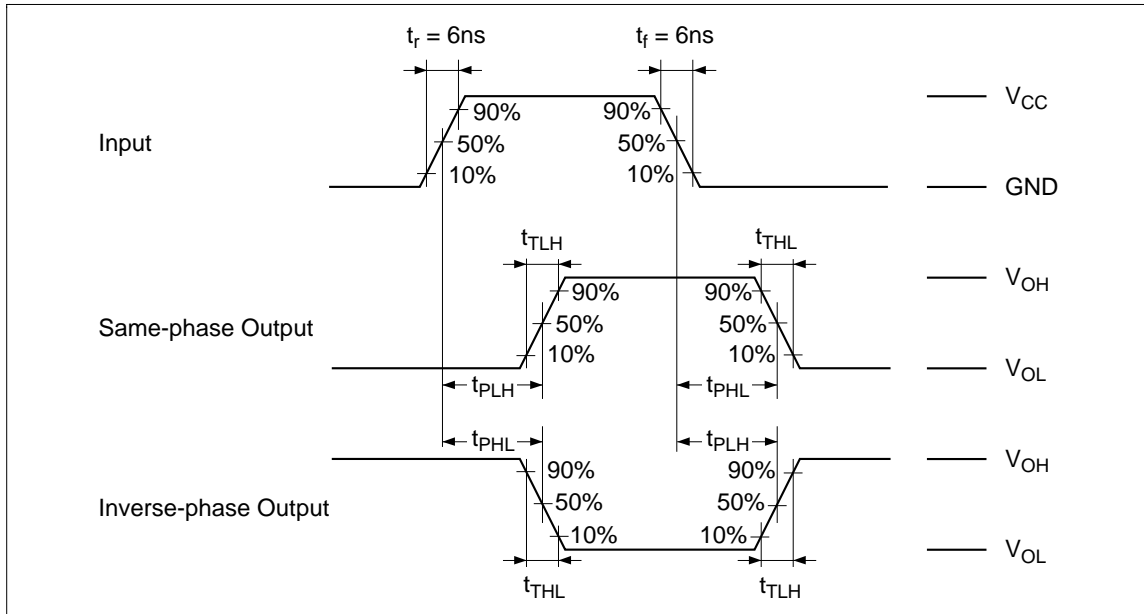


# Outline of Hitachi High-Speed CMOS Logic

## Waveforms (Mutual relationship of waveforms)

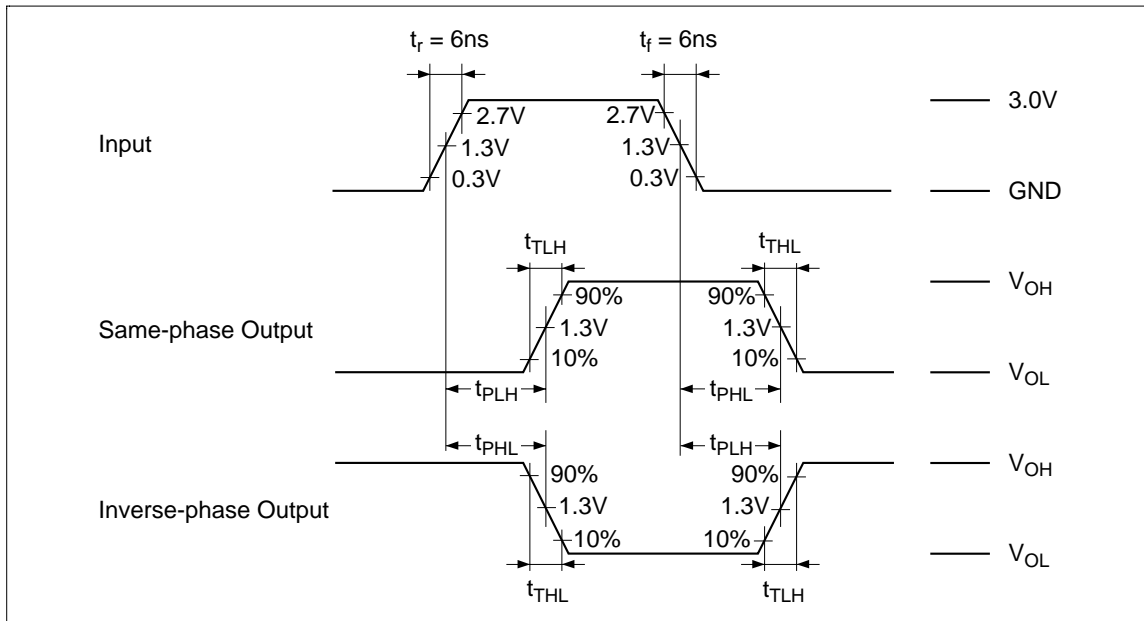
### Propagation Delay Time, Output Rise Time and Output Fall time

74HC Series



# Outline of Hitachi High-Speed CMOS Logic

74 HCT Series

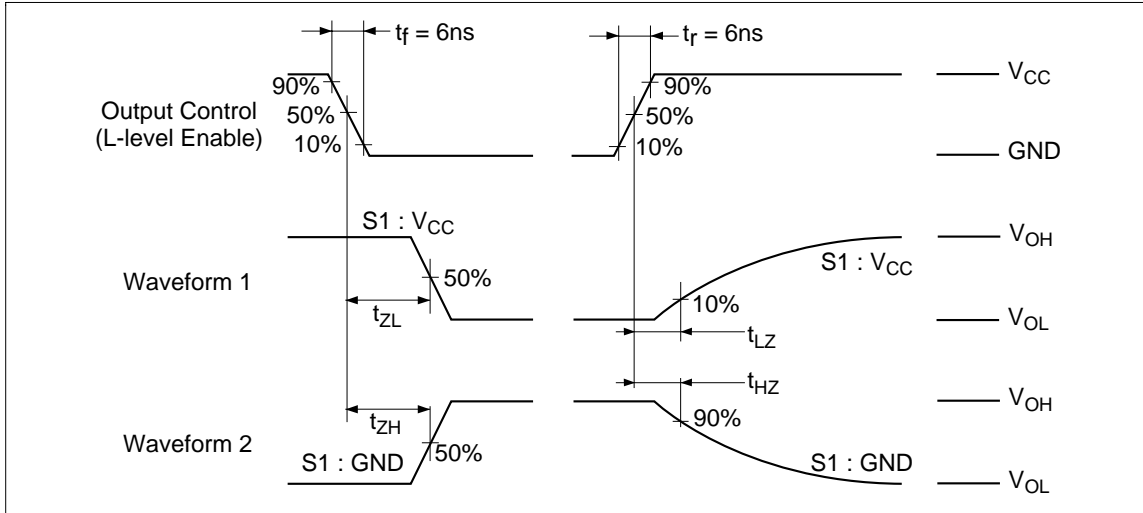


# Outline of Hitachi High-Speed CMOS Logic

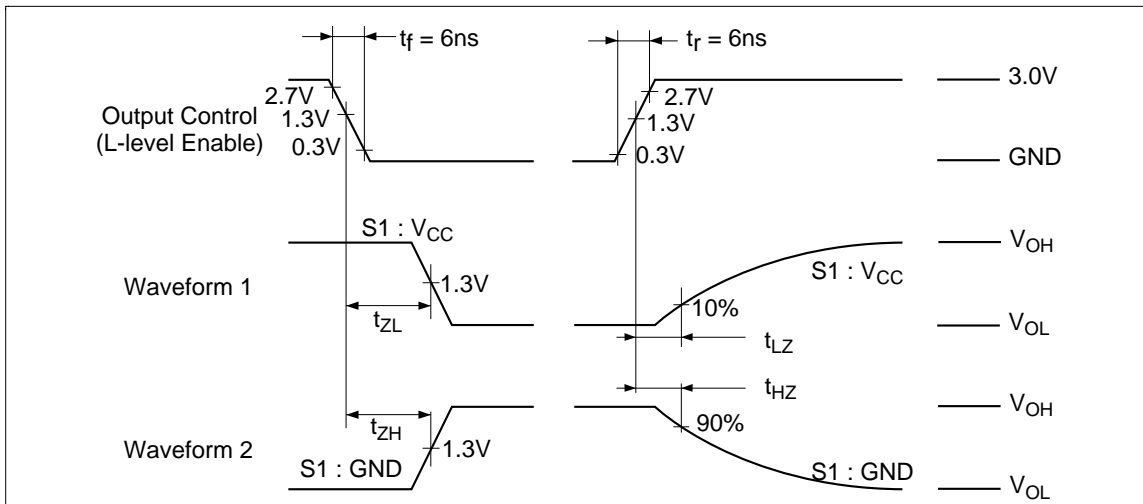
## Waveforms (Mutual relationship of waveforms)

### Three-state Output, Enable Time and Disable Time

74HC Series



74HCT Series



- Notes:
1. Waveform 1 is an output under the internal condition like "L" except for the output disabled by the output control.
  2. Waveform 2 is an output under the internal condition like "H" except for the output disabled by the output control.

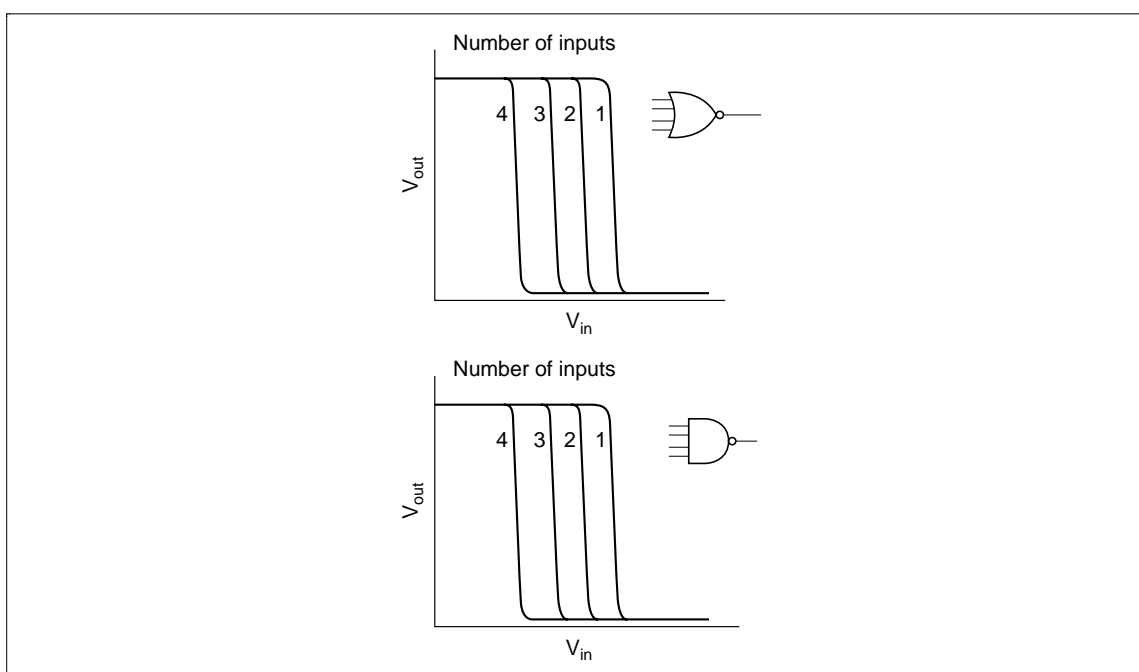


# Precautions in System Design

In the system design, the problems to be considered are described in the following items:

## 1. Transfer Characteristics

Since the transfer characteristics of gate circuit varies with the number of working inputs, care must be taken to the noise margin. In the multiple input NOR gate, the P channel MOS is connected to  $V_{CC}$  in series and the N channel MOS is connected to GND in parallel. In the NAND gate, the connection is reverse. The output voltage  $V_{OUT}$  in the transition area becomes a value obtained by distributing the supply voltage at a split ratio according to the ON resistance of P channel MOS and N channel MOS. In the multiple input NOR and NAND gates, the fall of transfer characteristic, that is,  $V_{IN}$ (voltage noise margin) that enters in the transition area changes according to the number of inputs as shown in Figure 1.



**Figure 1**

As seen from the above, it becomes clear that:

- In the NOR gate, “0” level noise margin  $V_{NL}$  decreases, and “1” level noise margin  $V_{NH}$  increases according to the number of working inputs.
- In the NAND gate, the noise margins are fully reversed.



---

## Precautions in System Design

---

### 2. Output Impedance

The output impedance of CMOS logic gate is influenced by the circuit configuration, the number of working inputs, logical state and supply voltage. There are two regions of output impedance depending on the operation:

- Constant impedance area in which P and N channel MOS' operate in the nonsaturated state.
- Constant current area in which P and N channel MOS' operate in the pinch-off state.

In designing a system including an interface circuit, the above must be considered.

### 3. Output Short-Circuit

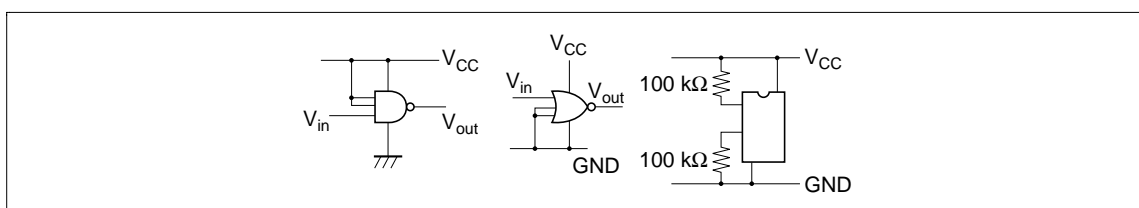
Because no protective circuitry is provided to limit the output current, an output inadvertently shorted to  $V_{CC}$  or GND on the HS-CMOS logic IC is limited to the current value determined by the pinch-off effect of the P-channel MOS and N-channel MOS for the output. Notice that such output short-circuit current, if allowed to flow for a long time, could result in increased power dissipation or in a melted wire due to excessive current density through metalization or other performance failures. For operating stability and reliability, the maximum output current should remain within the maximum rating.

### 4. Unused Inputs

As shown in Figure 2, unused inputs must be:

- (1) Directly connected to  $V_{CC}$  for NAND gate circuits.
- (2) Directly connected to GND for NOR gate circuits.
- (3) Connected to  $V_{CC}$  or GND through a proper resistor (10 k $\Omega$  or 100 k $\Omega$ ).

This is required because the extremely high input impedance of CMOS logic makes it subject to noise. This noise causes the output logic level to be unstable. Furthermore, in some cases, if a gate is not used or a flip-flop is not used, both p-channel MOS and n-channel MOS may conduct, causing  $I_{CC}$  to flow.



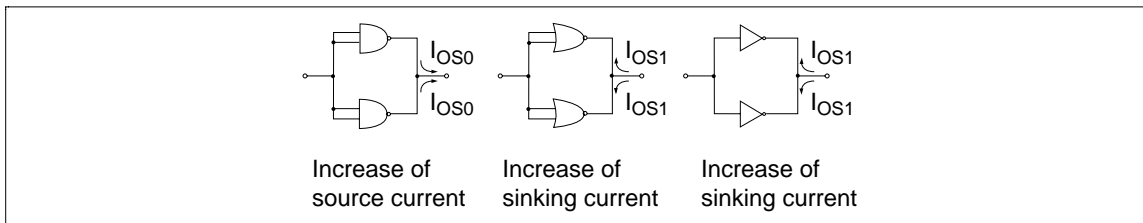
**Figure 2 Examples of Handling Unused Inputs**

### 5. Input Impedance

Since all the input protective diodes are biased reversely in the ordinary operations, the input impedance of CMOS logic IC is extremely high. When converted into a leak current, it is about several tens (pA) at a temperature of 25°C or about one (nA) even at 100°C. Thus, the matching for operating the CMOS logic IC has only to be considered at a voltage level. In the actual interface to other IC's, however, remember that fan-out is limited according to a capacitance value because inputs measured in capacity.

### 6. Parallel Connection of Gate Circuits

If it is necessary to increase source or sinking current, the same type gate circuits can be connected in parallel as shown in Figure 3.

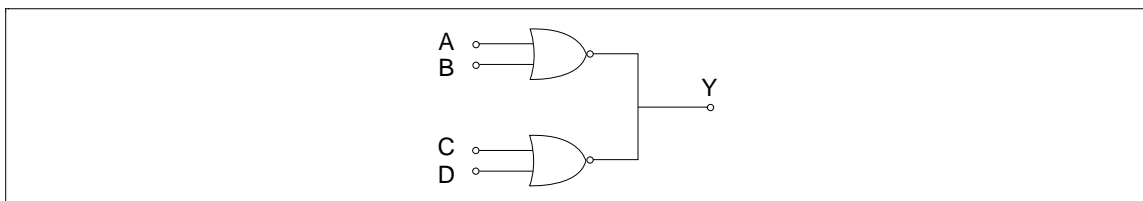


**Figure 3 Examples of Parallel Connection**

The switching speed improved at the same time. The source and sinking current capacities also increase in proportion to the number of inputs.

### 7. Wired OR Connection

The wired OR connection is uncommendable and shall not be used in CMOS logic IC's. The reason is that if the two gate outputs are connected with  $A = B = 0$  and  $C = D = 1$  as shown in Figure 4, the output voltage is a value with which the supply voltage is divided by each of the resistance values of active P and N channel MOS', on an about half level ( $V_{CC} - GND$ ).



**Figure 4 Wired OR Connection**

---

## Precautions in System Design

---

### 8. Input Capacitance

In the CMOS logic IC, there is capacitance between the input and the GND. In addition to the major capacitance between the gate and the substrate, the capacitance of package, leads and input protection circuit are also included. The change input capacitance depending on the input voltage results mainly from the capacitance between the gate and the substrate. This input capacitance has an advantage of temporarily storing data in it by opening/closing the transmission gate. On the other hand, however, remember that the input capacitance may slow down switching speed of mutually connected gate and also may increase the power dissipation. The input capacitance is usually about 5 (pF) as specified in the standard.

### 9. Output Capacitance

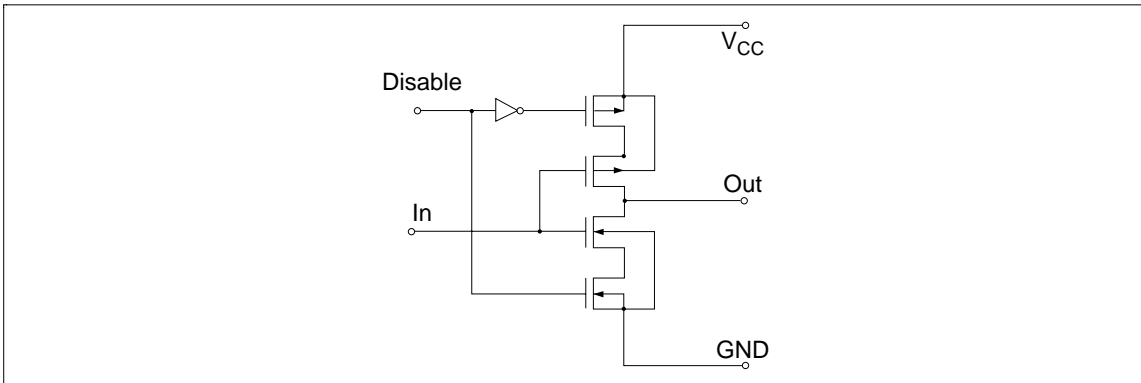
The whole output capacitance of CMOS logic IC is the sum of the drain capacitance of output MOS and the external load capacitance. It may be considered that the former is about 10 (pF) per output. The propagation delay time increases lineally in proportion to the increase of external load capacitance as described previously. The power dissipation also increases according to it. Especially, be careful in attaching a large capacity of around 1 ( $\mu$ F) outside.

The peak current at the gate transition, as described previously, is limited by the output characteristics of P and N channel MOS'. In the buffer circuit, the peak current may increase (to 100 mA or more).

Pay sufficient attention to the fact that the rise of temperature in the chip may cause metal migration on the metal wiring layer. If the peak current for gate circuit is set to about 50 mA and the one for buffer circuit is set to about 100 mA, no consideration is required.

### 10. Features of 3-state Output Circuit

In a system that requires bus configuration, the 3-state output element is brought from the necessity to place unnecessary circuits in the high output impedance state through control input to operate necessary circuit selectively when two or more circuit is connected to one bus line. Figure 5 shows the typical 3-state circuit. When the Disable input of control terminal is at “1” level, the output is at low impedance by the switch operation. When at “0” level, the output is at extremely high impedance of  $10^4$  ( $M\Omega$ ) at a room temperature. Remember that the number of 3-state elements connectable to one bus line is limited by the switching speed and supply voltage.



**Figure 5 3-state Output Circuit**

---

## Precautions in System Design

---

### 11. Static Power Dissipation

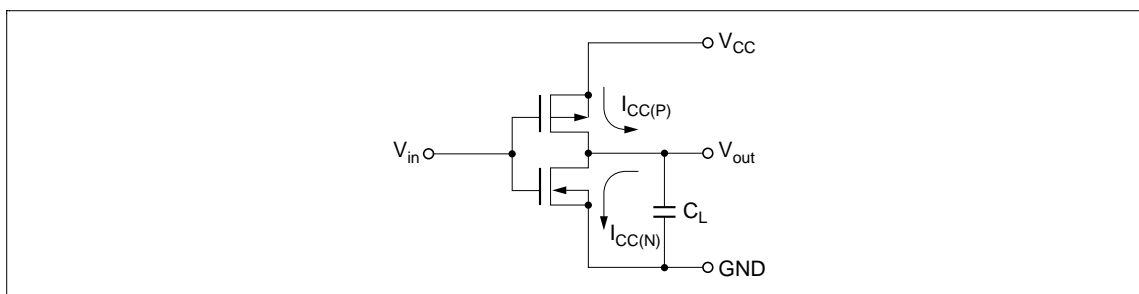
In the CMOS logic IC, the P channel MOS and N channel MOS are mutually connected each other. Therefore, either P channel or N channel is cut off in the input potential level static state. There is no path in which the current from the power supply flows. Actually, the reverse bias leak current in all the P-N junction in the chip including parasitic P-N junction flows only. The supply current in this state is referred to as static current consumption, and the power dissipation as static power dissipation. The static current consumption is a total of leak currents, and its values are extremely small as listed in Table 1. Thus, the static current consumption is almost proportional to the supply voltage and increases exponentially in proportion to temperature.

**Table 1**

Type	$V_{CC}$	Static Current Consumption $I_{CC(max)}$		
		+25°C	-40 to +85°C	
HC series	SSI	6.0 V	1.0 $\mu$ A	10 $\mu$ A
	FF		2.0 $\mu$ A	20 $\mu$ A
	MSI		4.0 $\mu$ A	40 $\mu$ A
HCT series	SSI	5.5 V	1.0 $\mu$ A	10 $\mu$ A
	FF		2.0 $\mu$ A	20 $\mu$ A
	MSI		4.0 $\mu$ A	40 $\mu$ A

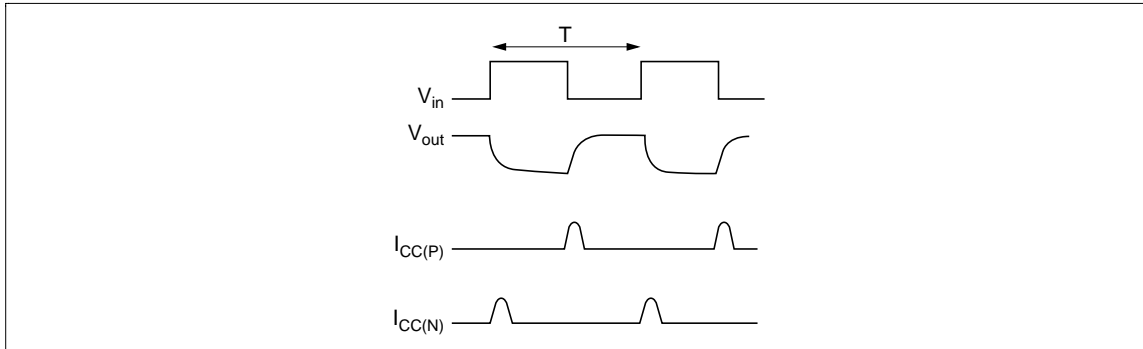
### 12. Dynamic Power Dissipation

Assuming that the square pulse waves ( $t_r = t_f = 0$ ) as shown in Figure 7 are applied to the input of the inverter shown in Figure 6, the output steps from “0” level to “1” level in response to the input fall from “1” level to “0” level.



**Figure 6 Inverter circuit**

## Precautions in System Design



**Figure 7 Operating Voltage and current of inverter circuit**

Actually,  $V_{OUT}$  is not converted into square waveforms. The reason is that the sum total  $C_L$  of the outputs such as external load capacitance and drain capacitance are inverted by charging them from 0 to  $V_{CC}$ . For charging, supply current  $I_{CC(P)}$  flows through the active P channel MOS from  $V_{CC}$ . Contrary to this, when the input goes from “0” level to “1” level,  $C_L$  discharges and  $I_{CC(N)}$  flows into GND through the N channel MOS. The supply current caused by the charge/discharge is dynamic current dissipation, and the power dissipation is dynamic power dissipation. If the average power dissipation is taken as  $P_T$ , it is obtained theoretically as follows:

The power dissipation when  $I_{CC(P)}$  flows into the P channel MOS in Figure 6 is  $I_{CC(P)} (V_{CC} - V_{OUT})$ . If an average is taken by the one cycle of input pulse, the average power dissipation  $P_{TP}$  of P channel MOS is:

$$P_{TP} = 1/T \int_0^T I_{CC(P)} \cdot (V_{CC} - V_{OUT}) dt$$

$$I_{CC(P)} = C_L \cdot d(V_{CC} - V_{OUT})/dt$$

In the same manner, the average power dissipation of N channel MOS is:

$$P_{TN} = 1/T \int_0^T I_{CC(N)} \cdot (V_{OUT} - GND) dt$$

$$I_{CC(N)} = C_L \cdot d(V_{OUT} - GND)/dt$$

Thus, the average dynamic power dissipation  $P_T$  is:

$$\begin{aligned} P_T &= P_{TP} + P_{TN} \\ &= 1/T \cdot C_L \cdot V_{CC}^2 \\ &= f \cdot C_L \cdot V_{CC}^2 \end{aligned}$$

$f$  : Input pulse frequency

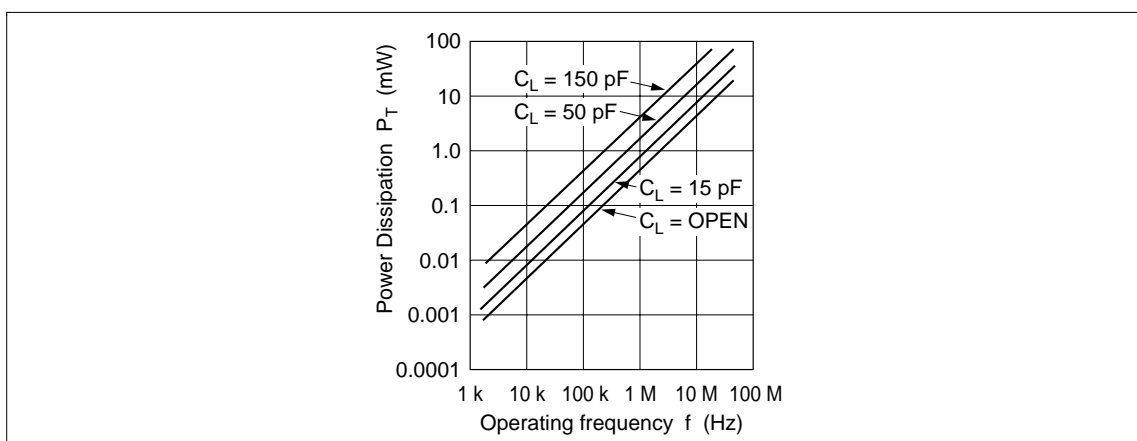
It is clear that the dynamic power dissipation varies with the frequency, load capacitance and supply voltage.

Figure 8 shows the aspect.

---

## Precautions in System Design

---



**Figure 8 Power Dissipation VS. Operating Frequency**

This relation shows a case where the square wave input with  $t_r = t_f = 0$  is assumed. In an actual case, the input pulse is considered a trapezoidal waveform. Thus, remember that the transition state in which both P channel MOS and N channel MOS are simultaneously activate and DC current flows from  $V_{CC}$  into GND during this time. If input is used at an intermediate level, such as crystal oscillator circuit and a linear amplifier, and if the circuits such as a differentiation circuit, an integration circuit and an oscillation circuit process gentle waveforms, pay attention to the increase of power dissipation.

### 13. Caution of Supply Voltage

To decouple noises, the capacitance of 0.01 to 0.1 ( $\mu\text{F}$ ) should be attached externally between  $V_{CC}$  and GND.

### 14. Caution of Fan-out

The number of fan-outs of CMOS logic IC is virtually unlimited in terms of DC. The reason is that the input current is the P-N junction leak current of input protection circuit at most and its value is actually approximate to 0 because the input is connected to the gate electrodes and insulated from the substrate.

Therefore, the number of fan-outs is not a problem in terms of DC. In AC, there is a slightly different circumstance. Since the input has a capacity of about 5 (pF), the output capacitance increases if the input is connected to the output. If the input capacitance is taken as 5 (pF), for example, the whole load capacitance  $C_L$  (pF) at the time the number of fan-outs is  $n$  and load capacitance is  $C_O$  (pF) is:

$$C_L = 5 \cdot n + C_O \text{ (pF)}$$

On the other hand, the propagation delay time increases in proportion to the output load capacitance  $C_L$ . The operating speed decreases according to the number of inputs (fan-outs) connected to the output. Therefore, remember that the number of fan-outs is fairly limited if a high-speed operation is required.

### 15. Cautions on Actual Operation

- (1) The rise time and fall time of input waveforms should be 500 ns or less. Since the voltage gain is very high near the threshold, the slightest ripples on the input voltage may cause the output to produce a corresponding waveform, making the output operation unstable.

---

## Precautions in System Design

---

- (2) The power line should be sufficiently filtered for the device. The input threshold voltage of the IC varies with the supply voltage. A ripple on the power line may change the input threshold, causing the same malfunction as noted in (1) above.
- (3) Beware of a ringing (waveform distortion). Because the switching from “1” level to “0” level on vice versa is very fast, the load capacitance plus the wiring inductance may cause a ringing. Care should be taken to arrange the circuit configuration, PCB layout and wiring appropriately.





# Application Note

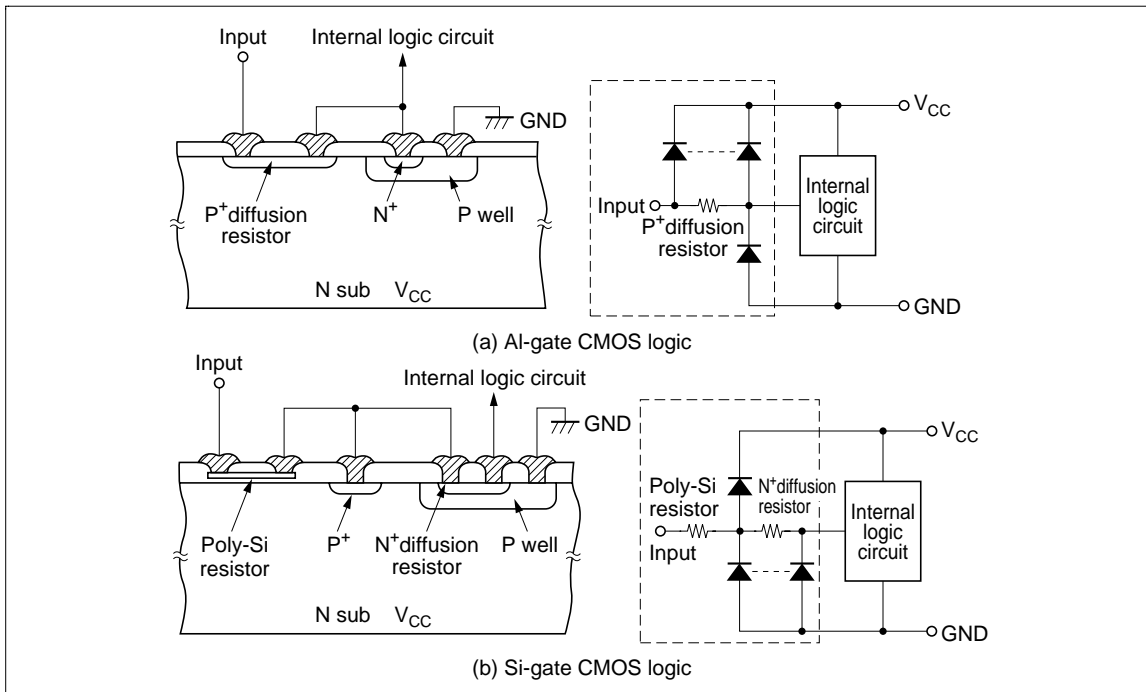
## 1. Input Protection Circuit

An Si-gate process is applied to Hitachi's high-speed CMOS logic ICs. They have a thinner gate oxide compared to conventional Al-gate CMOS logic ICs and are composed into finer patterns.

Therefore, an input protection circuit is necessary for the gate to be protected from surges at the input pins.

Since Al-gate CMOS logic ICs use a diffusion resistor as the input protection resistor (as shown in Figure 1a), input over-current flows directly to the power supply and the destruction of the protection diode may occur.

On the other hand, using polysilicone as its input protection resistor (shown in Figure 1b), high-speed CMOS logic ICs take the role of a current limiter to counter input over voltage.



**Figure 1 Input Protection Device and Equivalent Circuit**

## Application Note

### 2. Electric Static Discharge Immunity (ESD Immunity)

ESD immunity is evaluated by the capacitor discharge method shown in the test circuit of Figure 2. The capacitor is 200 pF, accounting for the electrostatic capacitance of human bodies. Figure 3 shows an example of ESD immunity of integrated circuits for each products series.

The ESD for high-speed CMOS logic is over  $\pm 200$  V, which is the same level or better than LS-TTL.

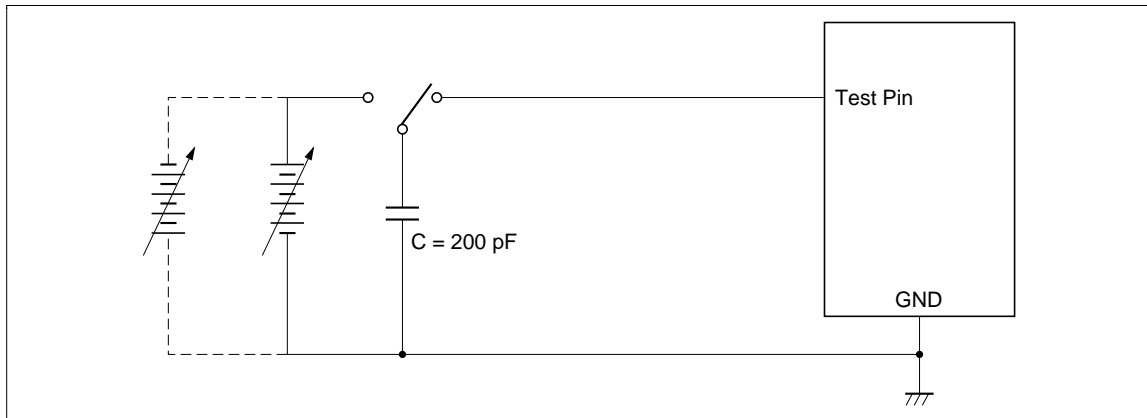


Figure 2 ESD Immunity Test Circuit

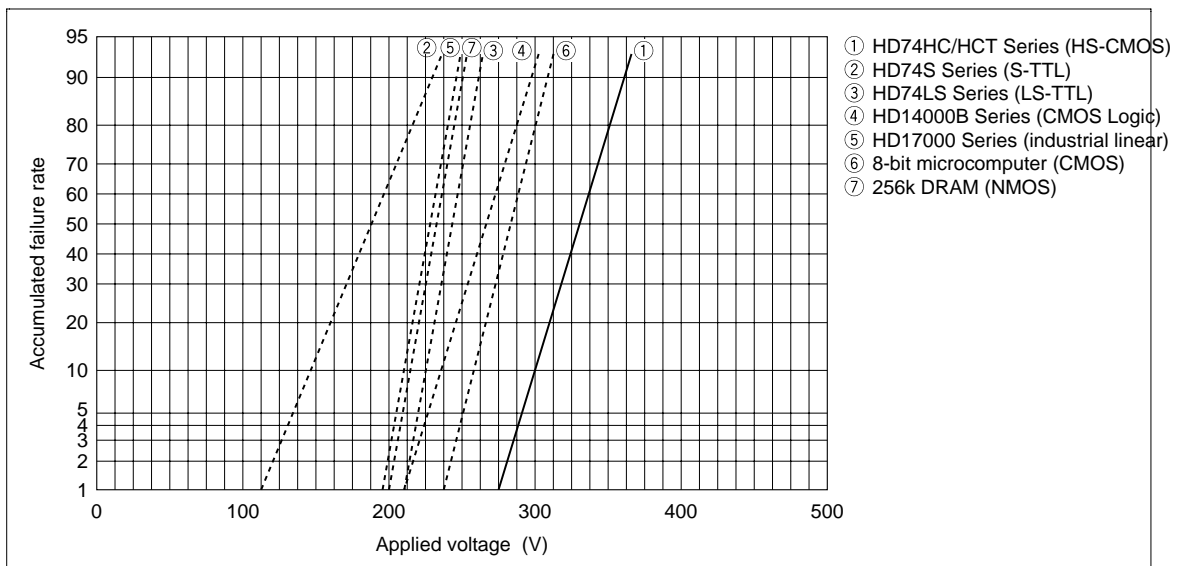


Figure 3 ESD Immunity for Each Series

### 3. Latch-Up

#### 3.1 Latch-up

Latch-up is an inevitable phenomenon occurring from the basic structure of CMOS logic ICs.

Since CMOS has PMOS and NMOS on one chip, NPN and PNP transistors are made. These two types of transistors are combined into a PNPN structure, in which a parasitic thyristor is formed (see Figure 4).

If excessive noise is applied to the input or output pins when the IC is operating, the parasitic thyristor will turn on and the abnormal current will flow through the power supply pin to ground.

If the power supply is turned off, the IC will be restored to its normal state, however, the internal AI wiring of the IC may melt thus causing the IC to be destroyed.

There are countermeasures to prevent latch-up as listed below

- (1) Separate PMOS from NMOS.
  - (2) Shut down electrical paths between PNP and NPN transistors which form parasitic thyristors by its layout pattern.
  - (3) Isolate each MOS transistor with an insulator to prevent the formation of parasitic thyristors.
- Hitachi's high-speed CMOS logic utilizes method (2)

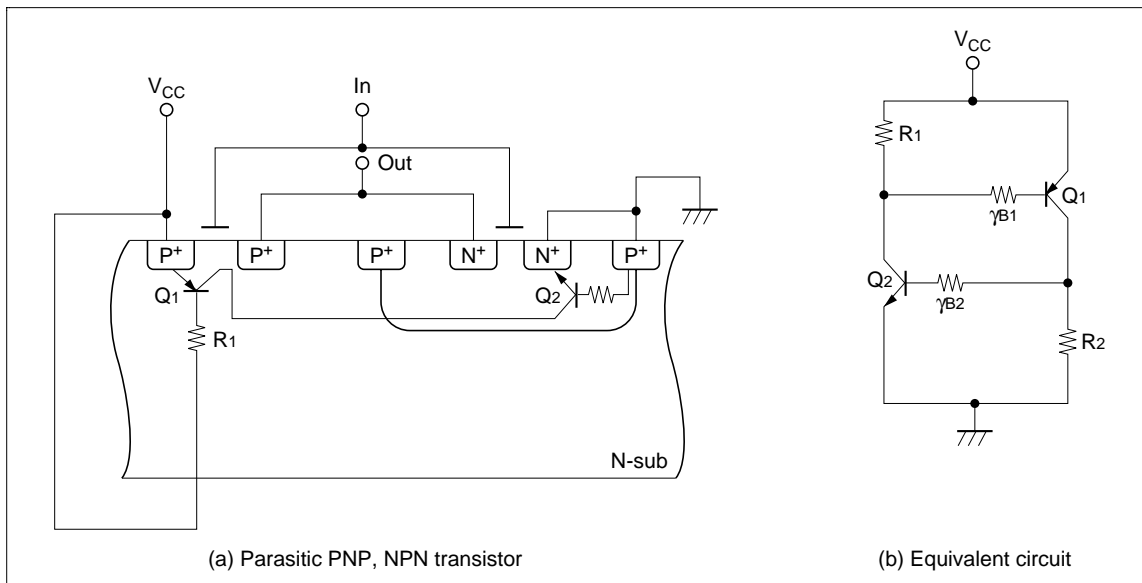


Figure 4 Parasitic Thyristor

---

## Application Note

---

### 3.2 Latch-Up immunity

Latch-up immunity is evaluated by the test circuit shown in Figure 5.

Table 1 lists the test results of latch-up immunity of Hitachi's high-speed CMOS logic.

The starting voltage of high-speed CMOS logic is over  $\pm 300$  V which causes almost no problems for practical use.

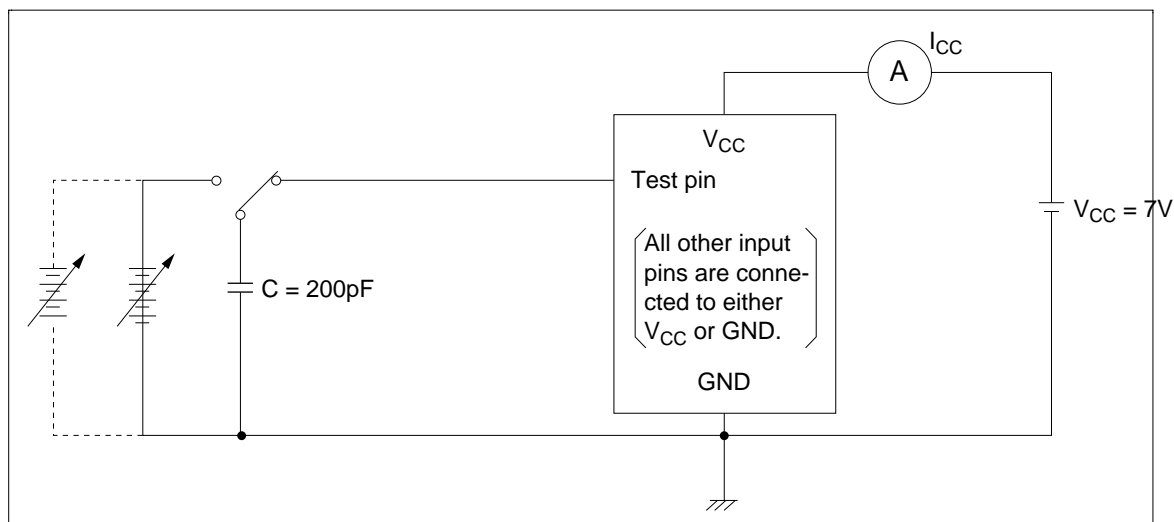


Figure 5 Latch-Up Immunity Test Circuit

Table 1 Latch-Up Starting Voltage Test Results

Latch-up starting voltage	
Positive	Over 300 V
Negative	Over 300 V

Measured samples

HD74HC00

HD74HC02

HD74HC04

HD74HC08

HD74HC14

HD74HC32

HD74HC74

HD74HC138

HD74HC139

HD74HC157

HD74HC158

HD74HC175

HD74HC273

HD74HC373

HD74HC533

5 pieces per type

## 4. Electrical Characteristics

### 4.1 DC characteristics

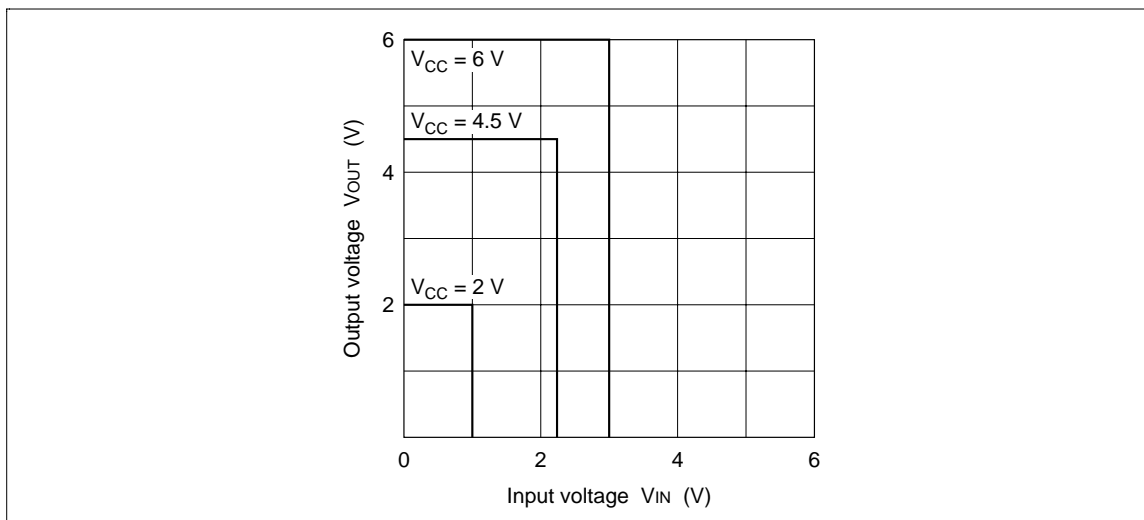
#### (1) Logic threshold voltage ( $V_{TH}$ )

The Logic threshold voltage ( $V_{TH}$ ) of Hitachi's high-speed CMOS logic ICs (HD74HC Series) is at half the level of  $V_{CC}$  in order to set up the widest noise margin possible.

#### (2) Output current characteristics

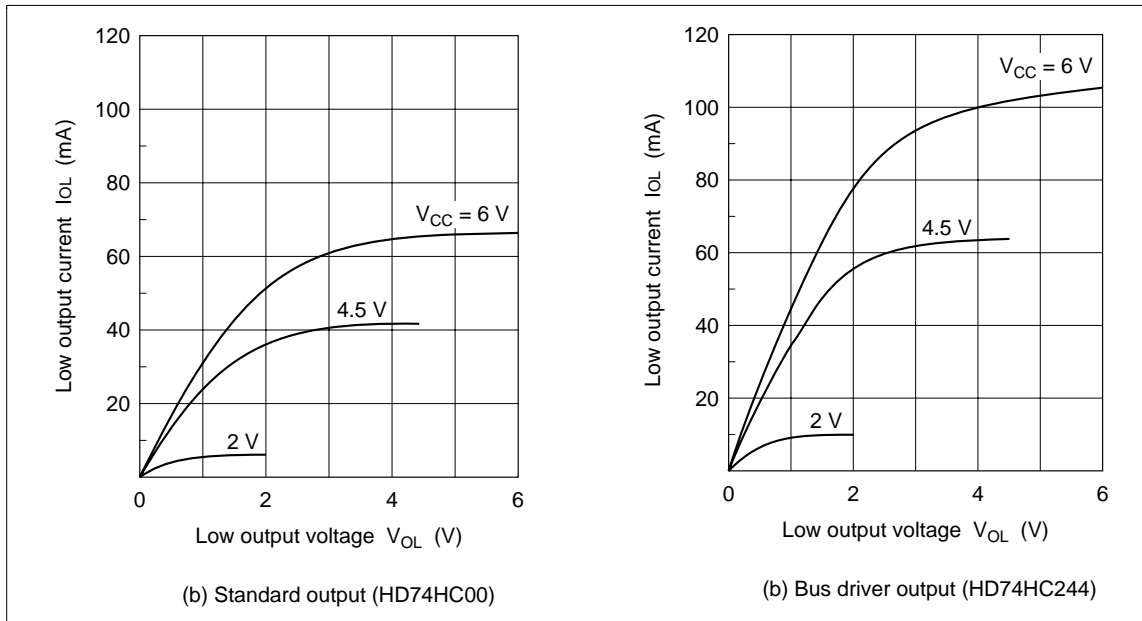
Hitachi's high-speed CMOS logic ICs have symmetrical characteristics between  $I_{OH}$  and  $I_{OL}$ . Thus, the balance between  $t_{PLH}$  and  $t_{PHL}$  is mostly kept even when connecting with a comparatively large load capacitance.

Figures 7 and 8 show the output current characteristics.

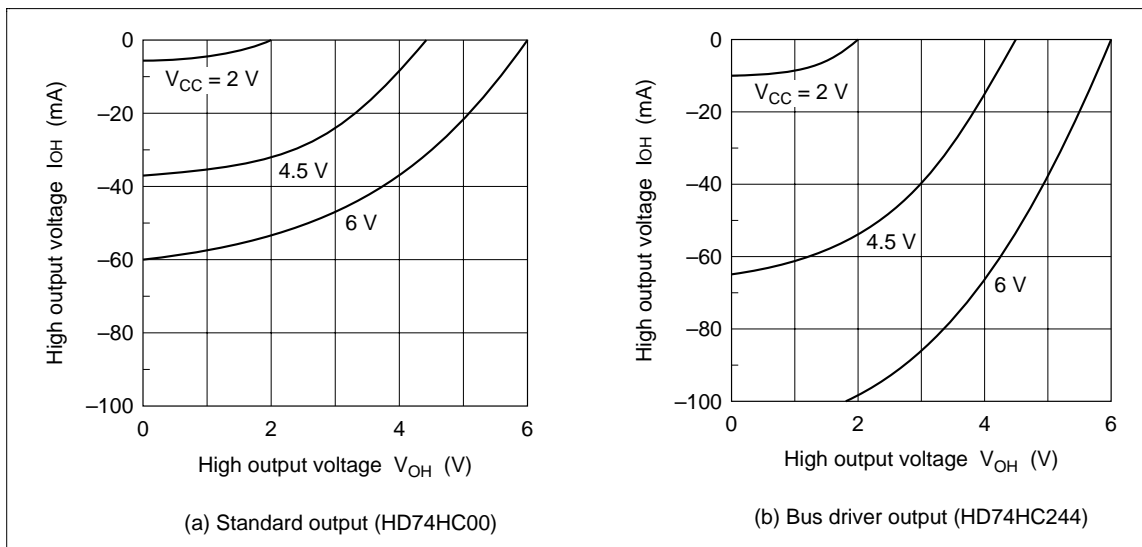


**Figure 6 Output Voltage vs Input Voltage**

## Application Note



**Figure 7 Output Current vs Voltage (Low Level)**

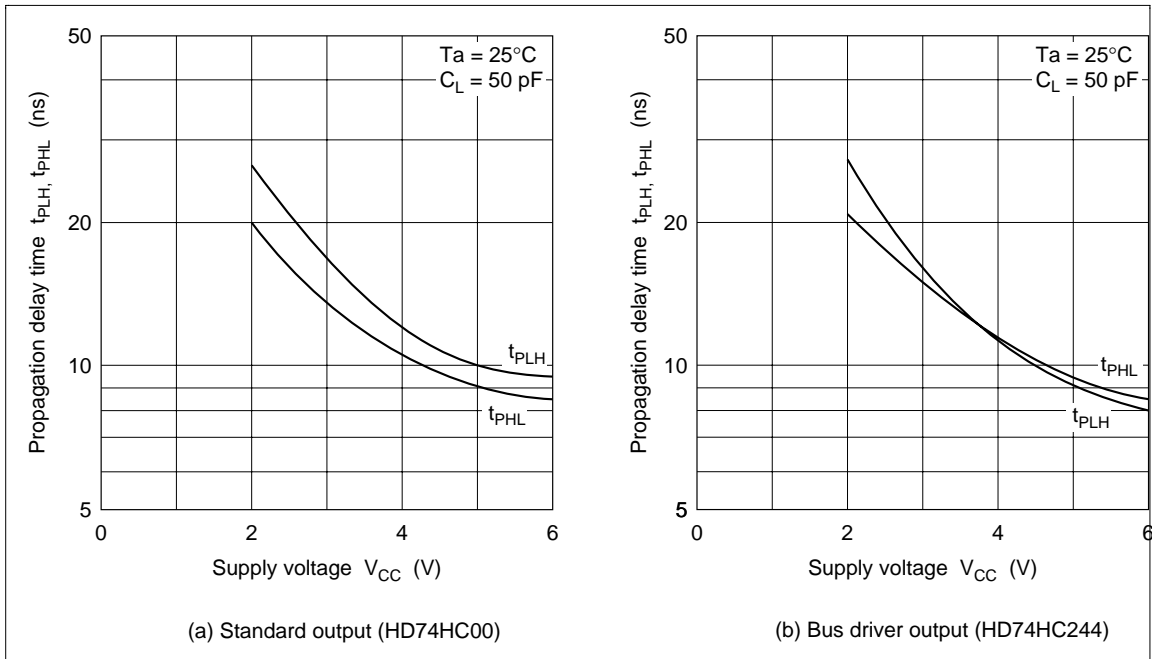


**Figure 8 Output Current vs Voltage (High Level)**

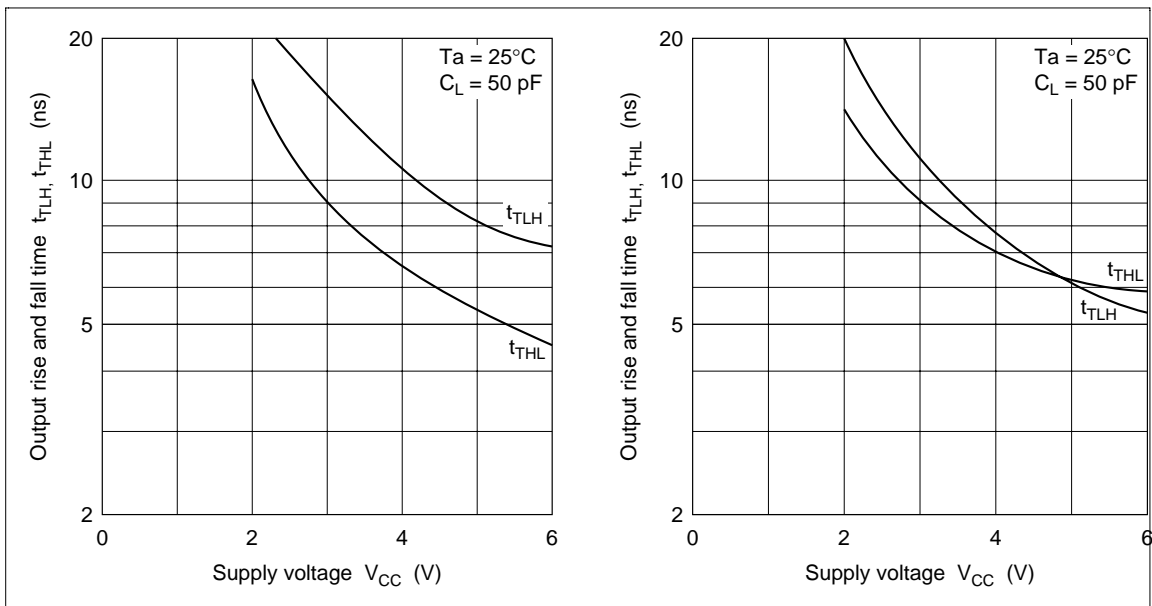
### 4.2 AC characteristics

$t_{PLH}$  and  $t_{PHL}$  of Hitachi's high-speed CMOS logic ICs are set up to be about the same to simplify system timing design.

(1) Propagation delay time, output rise and fall time vs supply voltage characteristics.



**Figure 9 Propagation Delay Time vs Supply Voltage**

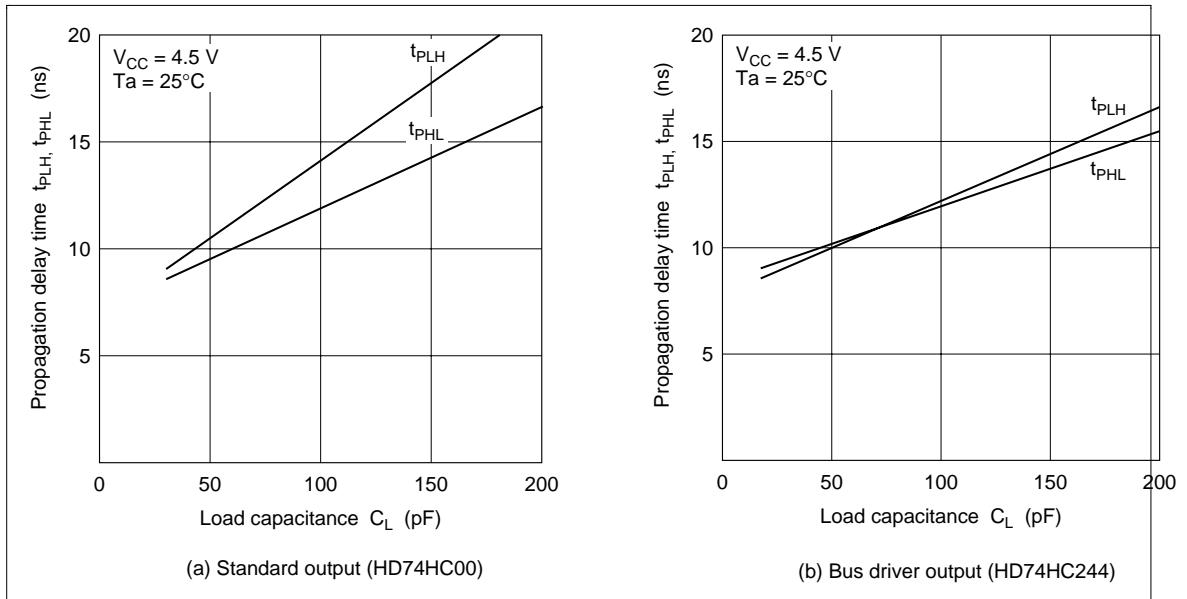


**Figure 10 Output Rise and Fall Time vs Supply Voltage**

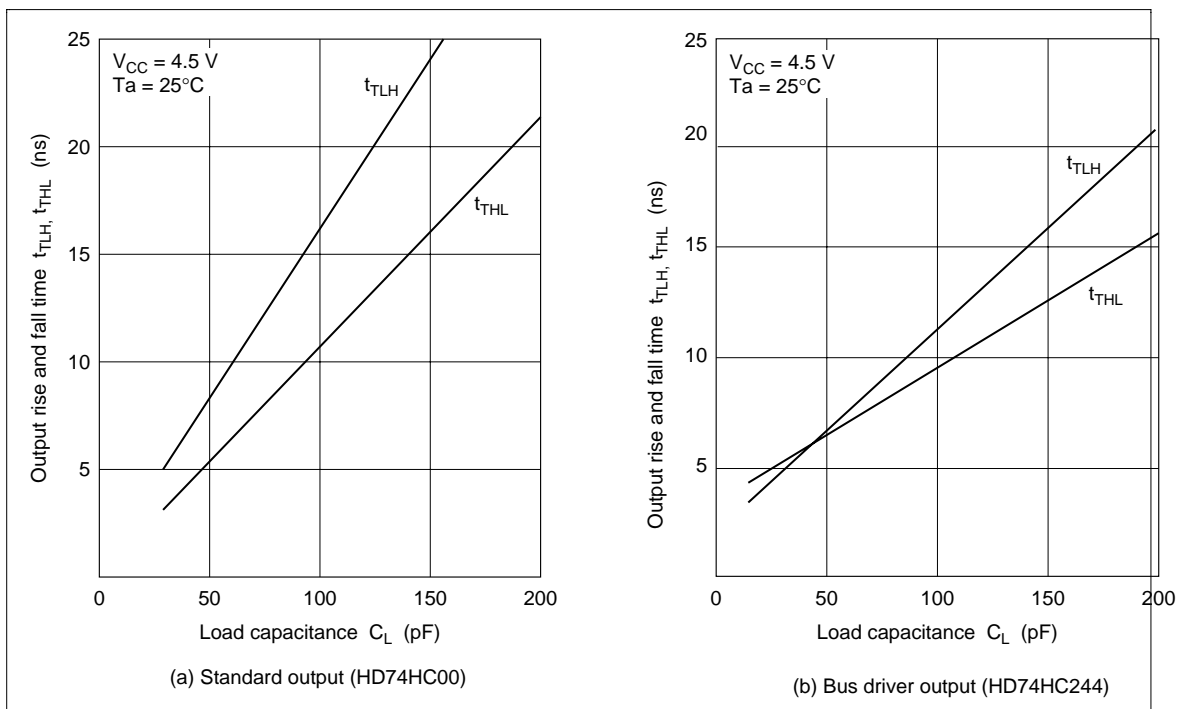
(2) Propagation delay time, output rise and fall time vs load capacitance characteristics.



# Application Note



**Figure 11 Propagation Delay Time vs Load Capacitance**



**Figure 12 Output Rise and Fall Time vs Load Capacitance**

## 5. Power Dissipation

### 5.1 Calculating the power dissipation

The power dissipation  $P_T$  of high-speed CMOS logic can be calculated by (1). From this equation, the power dissipation depends on the load capacitance, frequency and supply voltage.

$$P_T = (C_L + C_{PD}) \cdot f \cdot V_{CC}^2 \quad (1)$$

Figure 13 shows examples of the operating frequency with the power supply current.

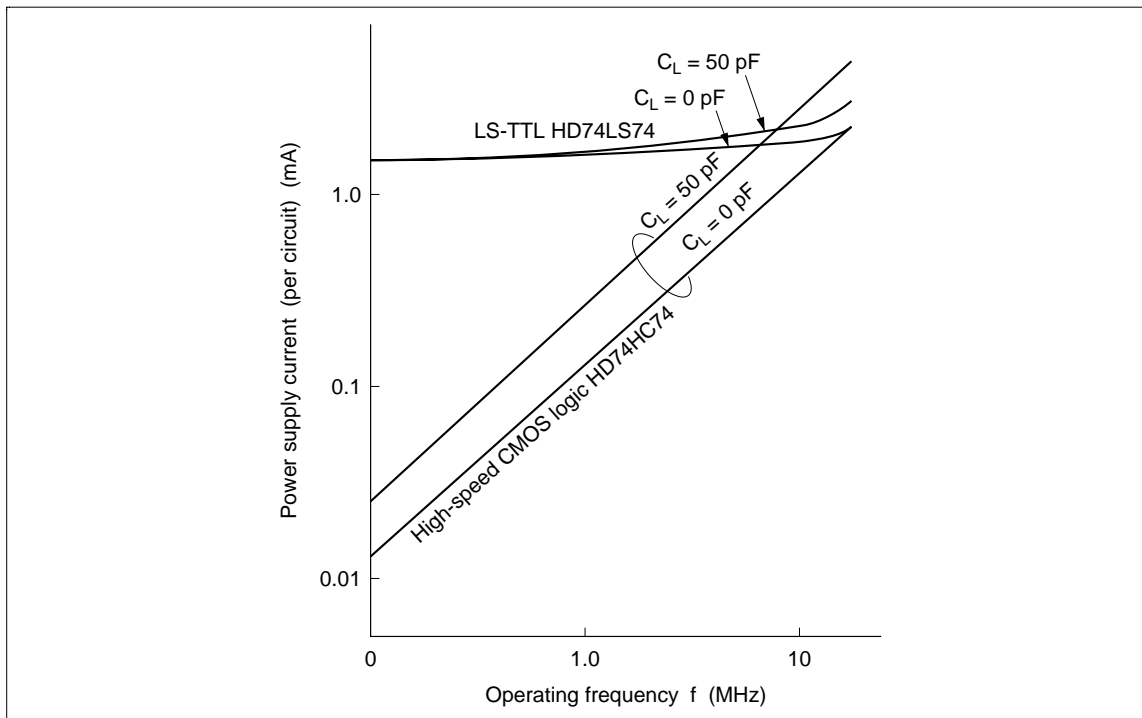


Figure 13 Operating Frequency vs Power Supply Current

---

## Application Note

---

### 5.2 Power dissipation capacitance

Power dissipation capacitance ( $C_{pd}$ ) can be calculated by the following equations,

$$P_{T1} = C_{PD} \cdot V_{CC}^2 \cdot f_1 = I_{CC1} \cdot V_{CC} \quad (2)$$

$$P_{T2} = C_{PD} \cdot V_{CC}^2 \cdot f_2 = I_{CC2} \cdot V_{CC} \quad (3)$$

therefore,

$$\begin{aligned} C_{PD} &= \frac{P_{T2} - P_{T1}}{V_{CC}^2 \cdot (f_2 - f_1)} \\ &= \frac{I_{CC2} - I_{CC1}}{V_{CC} \cdot (f_2 - f_1)} \end{aligned} \quad (4)$$

then,

- $I_{CC1}$  : Supply current at frequency  $f_1$
- $I_{CC2}$  : Supply current at frequency  $f_2$

Table 2 lists the power dissipation capacitance of Hitachi's high-speed CMOS logic.

Furthermore, the power dissipation capacitance differs according to the input conditions.

Table 3 shows typical examples.

**Table 2 Power Dissipation Capacitance of High-Speed CMOS**

Function		Product part no.	Note 1	Power dissipation capacitance typ. (pF)
Gate		HD74HC00	*	27
		HD74HC04	*	24
Flip-Flop	D-type	HD74HC74	*	41
	J-K-type	HD74HC76	*	49
COMPARATOR		HD74HC85	P	48
DECORDER		HD74HC138	P	90
COUNTER		HD74HC161	P	57
BUFFER		HD74HC240	*	42
MULTIPLEXER		HD74HC258	P	78
LATCH		HD74HC373	P	57

Notes: 1. \*:Per circuit; P:Per package.

2. Measurement circuit is shown in figure 14.

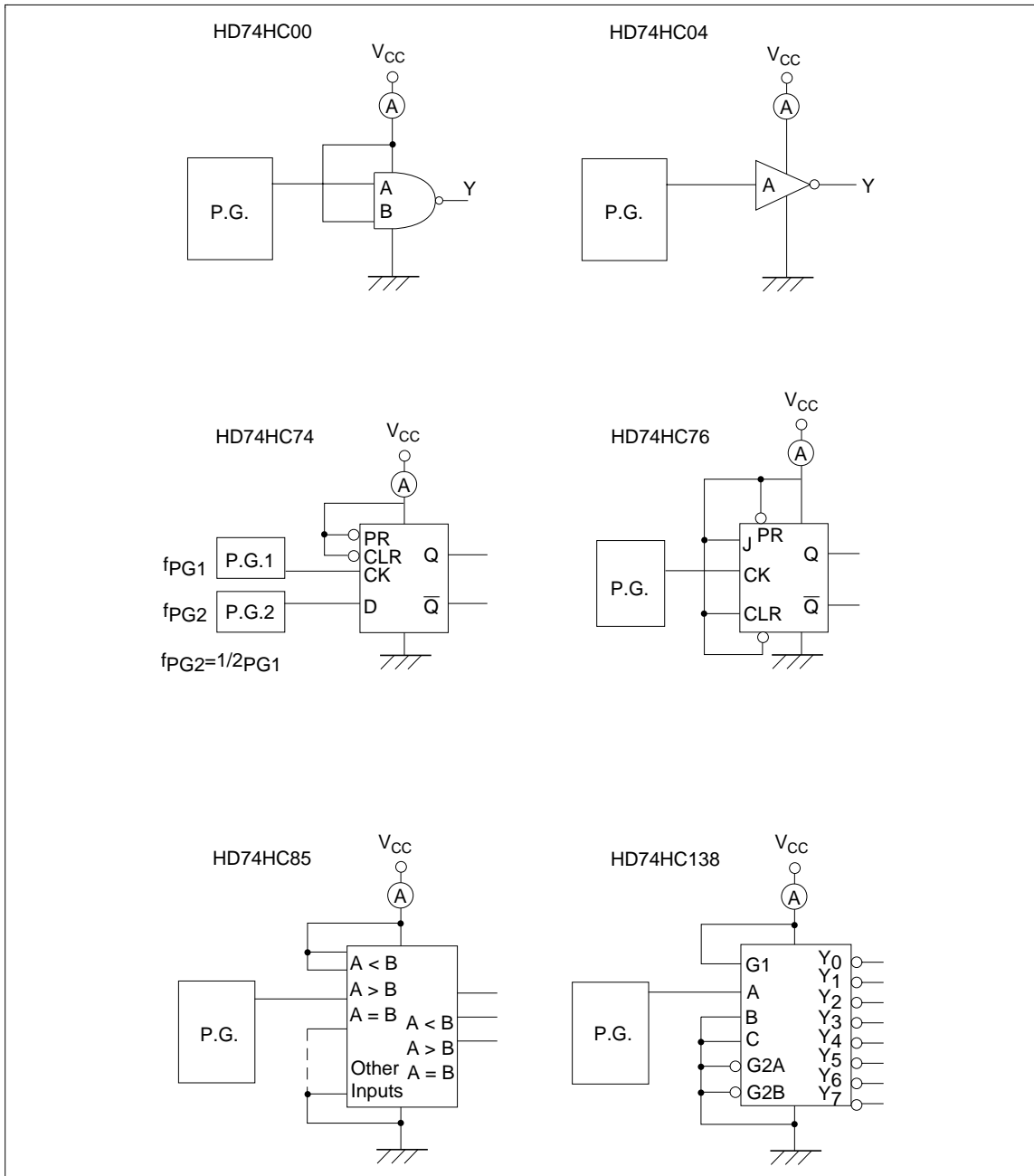


Figure 14 Measurement Circuits for Dynamic Power Supply Current

# Application Note

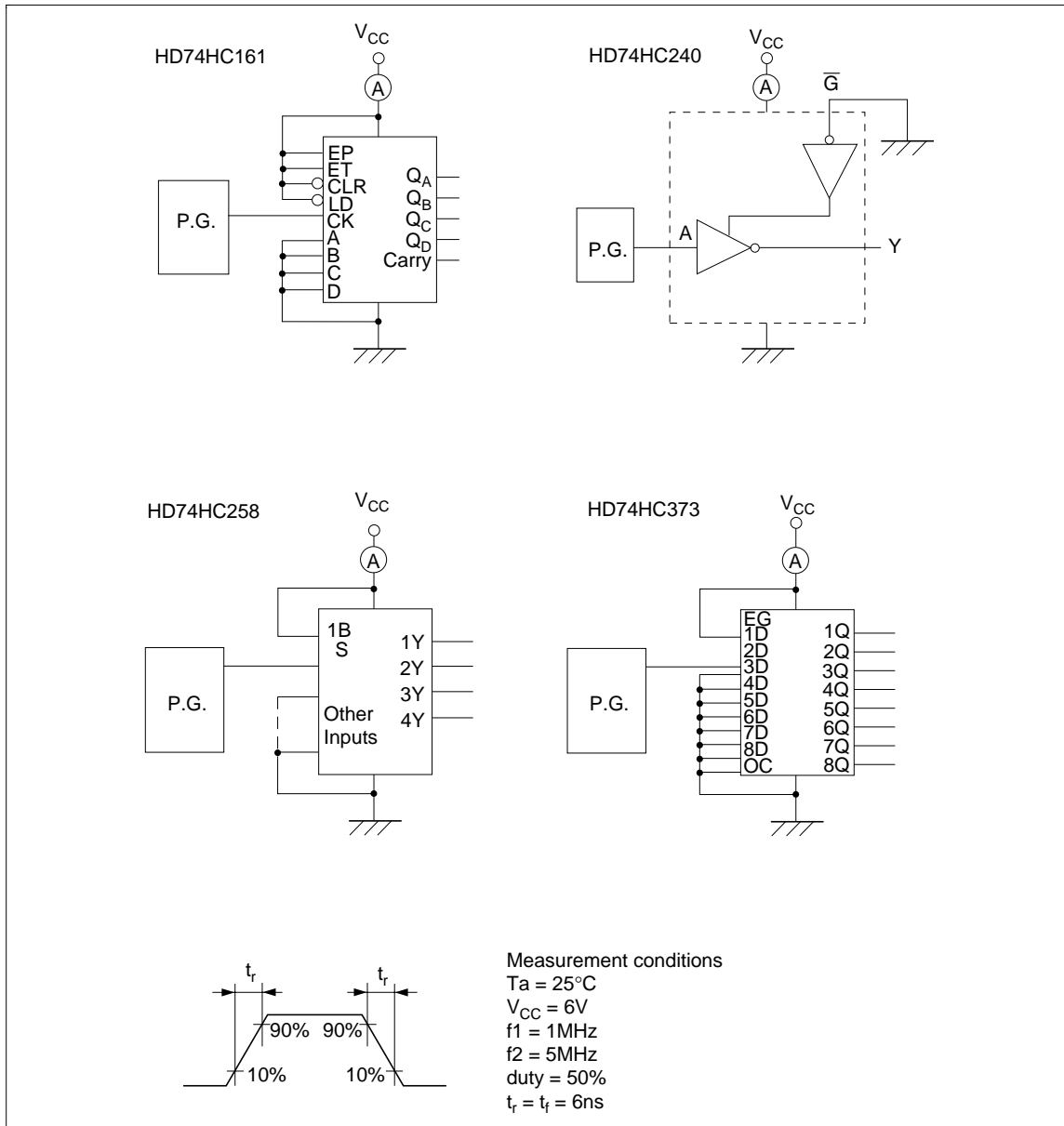
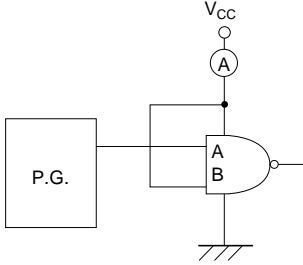
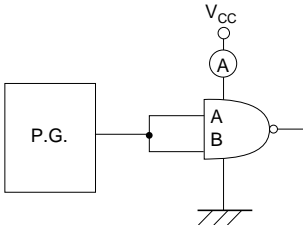
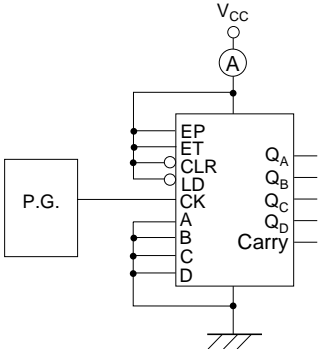
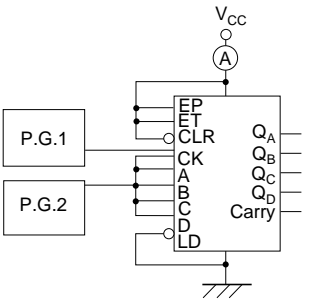


Figure 14 Measurement Circuits for Dynamic Power Supply Current (cont)

## Application Note

**Table 3 Power Dissipation Capacitance by Input Conditions**

Product part no.	Input conditions	Power dissipation capacitance (pF)
HD74HC00	Single input	27
		
	Double input	27
		
HD74HC161	Counting operation	57
		
	Preset operation	113
		

## 6. Decoupling

CMOS logic ICs have current spikes when switching. These spikes are produced by the repeated charging and discharging of the output capacitance when charging the output level from low to high or high to low.

## Application Note

Because of the current spikes the potentials of  $V_{CC}$  and GND change, and large current spikes flow when switching. Therefore ringing is produced at the output. (See Figure 15 a.)

To prevent this, decoupling capacitors must be provided externally between  $V_{CC}$  and GND.

This is proven to be useful in instantly absorbing the current and ringing at the output as shown in Figure 15 b.

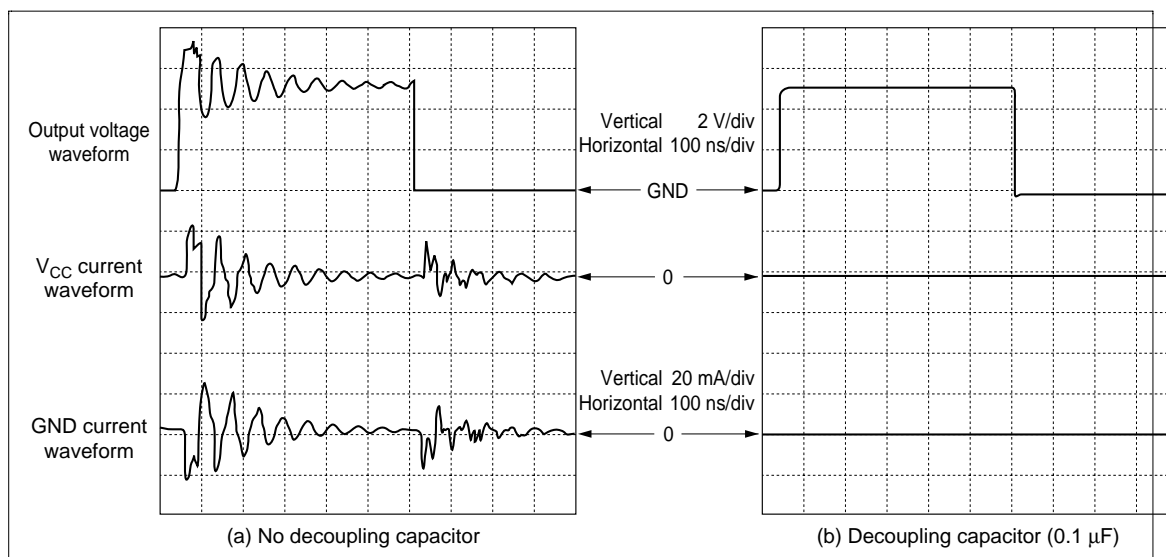


Figure 15 HD74HC00 Spike Current Waveform

## 7. Precautions on Board Design

High-speed CMOS logic has different electrical characteristics, such as switching speed and output current drivability, from the conventional standard logics (AI-gate CMOS, LS-TTL). The system design requires an application technique for high-speed CMOS logic.

Here an interfacing technique between high-speed CMOS logic and LS-TTL will be explained.

### 7.1 Transmission line reflection

(1) Analysis of transmission signals by the Bergeron diagram The Bergeron diagram is commonly used for the analysis of transmission signals in high-speed digital systems.

Figure 17 is the analysis result of an actual transmission model which is shown in Figure 16.

As for the analysis conditions,  $Z_0 = 125 \Omega$  considering the standard system board, and the wiring length ( $l$ ) is 1.5 m.

The output impedance of the HD74HC04, which operates as a driver becomes the  $I_{OH} - V_{OH}$  characteristic curve when the output is high, and the input impedance of the HD74LS04 which operates as a receiver becomes the  $I_{IH} - V_{IH}$  characteristic curve.

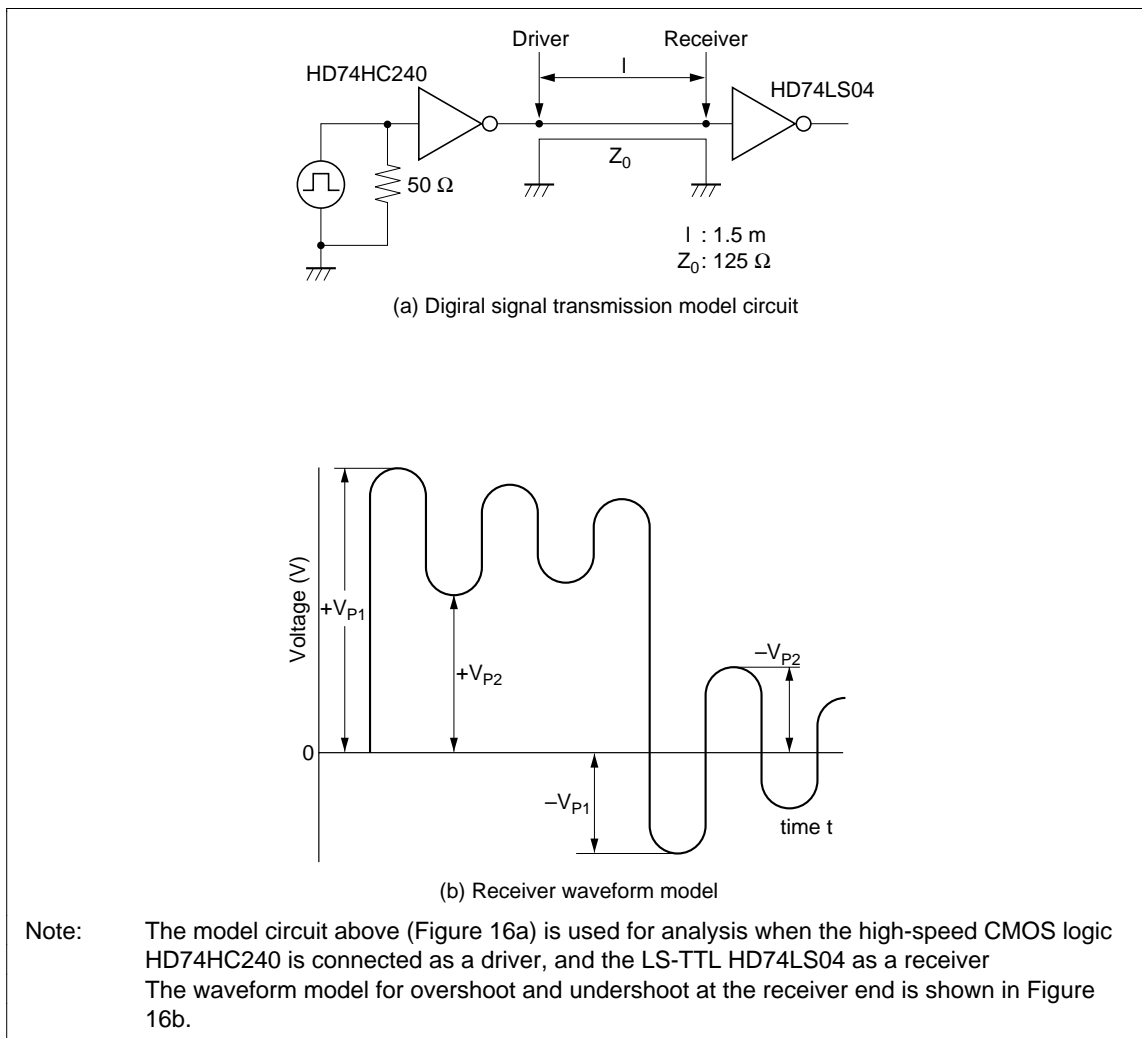
On the other hand, when the output level of the HD74HC04 is low, the output impedance becomes the  $I_{OL} - V_{OL}$  characteristic curve and the input impedance becomes the  $I_F - V_F$  characteristic curve.

## Application Note

The drawing of load line  $Z_0$  as these input/output impedance curves enables the reflection of the transmission signal to be analyzed.

The intersection coordinates in Figure 17 shows the voltage and current values at the drive end of  $2T$  ( $T$  being the propagation delay from the driver end to the receiver end) intervals when the coordinates are even numbers ( $2T$ ,  $4T$ ) or zero, or the voltage and current values at the receiver end when the coordinates are odd numbers ( $T$ ,  $3T$ ,  $5T$ ).

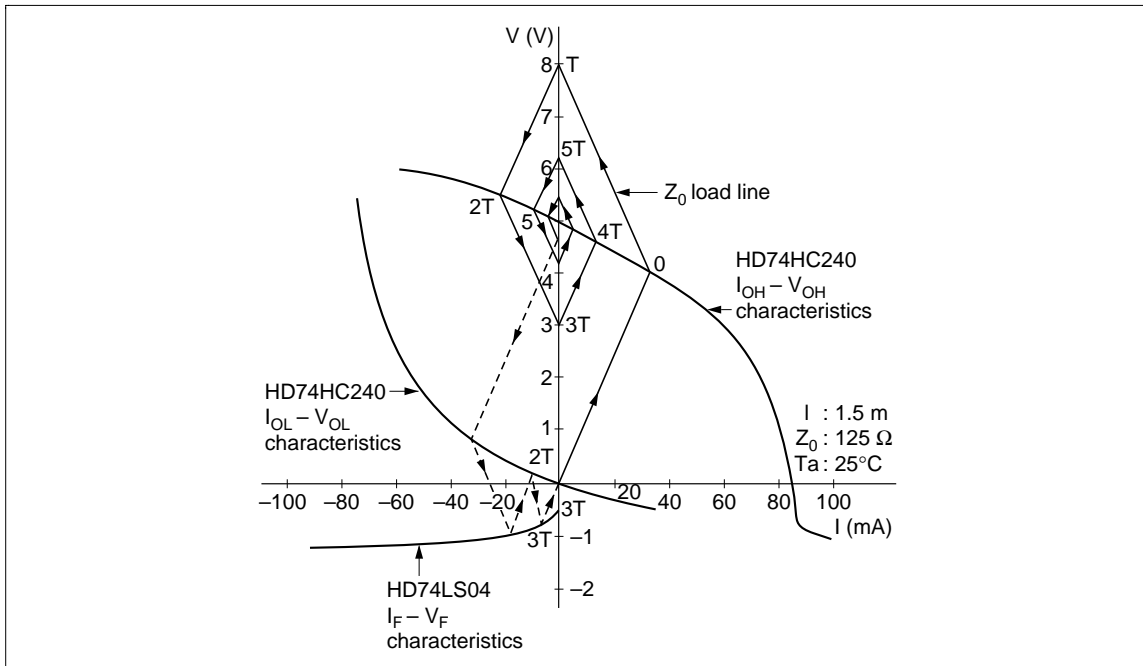
Figure 18 shows the analysis result of the voltage waveform at the receiver end.



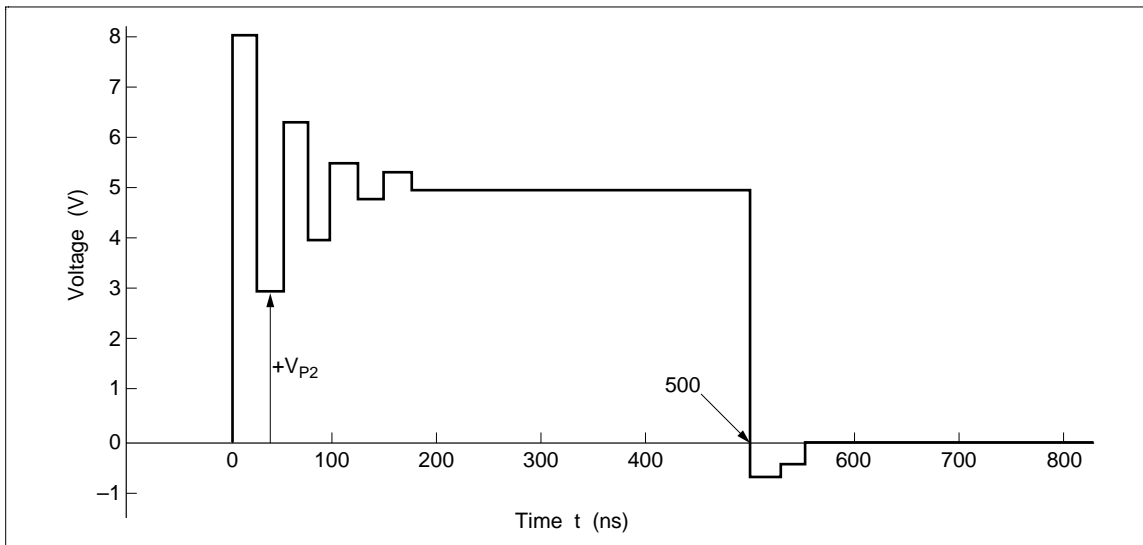
**Figure 16 Digital Signal Transmission**



## Application Note



**Figure 17 Bergeron Diagram Analysis of the Transmission Model**



**Figure 18 Analysis Results of the Waveform at the Receiver End**

(2) An example for measuring the reflection on the transmission line Figure 19 shows the measured results of the reflection of the transmission line using three types of transmission line media such as 1) coaxial cable ( $Z_0 = 50 \Omega$ ), 2) twisted pair cable ( $Z_0 = 120 \Omega$ ), and 3) single lead wire ( $Z_0 = 150$  to  $200 \Omega$ ).

Figure 19 shows that the drivers and receivers operate normally with a wiring length of up to 2 m.

However, careful precautions should be taken when considering impedance in practical system designing.

# Application Note

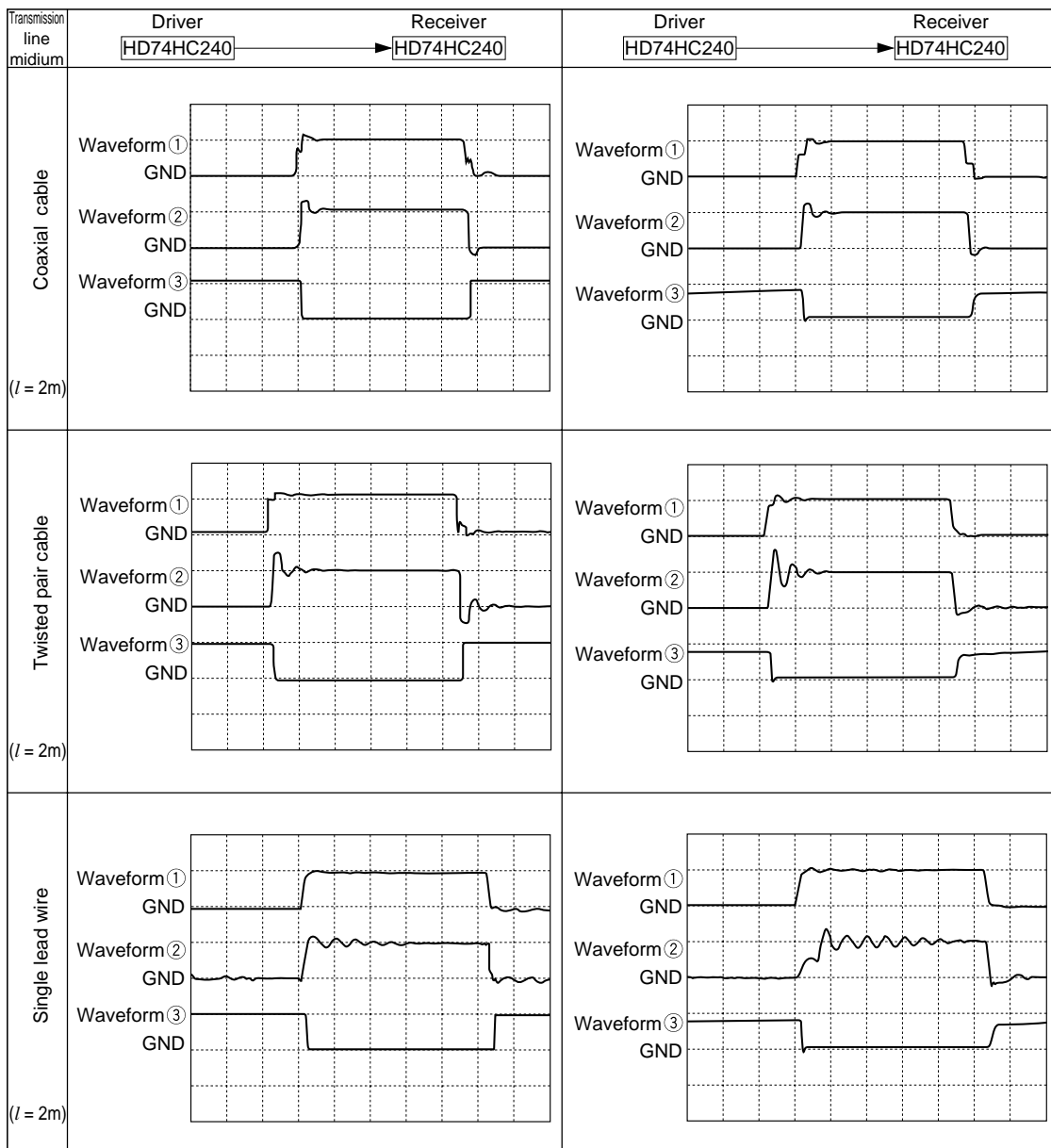
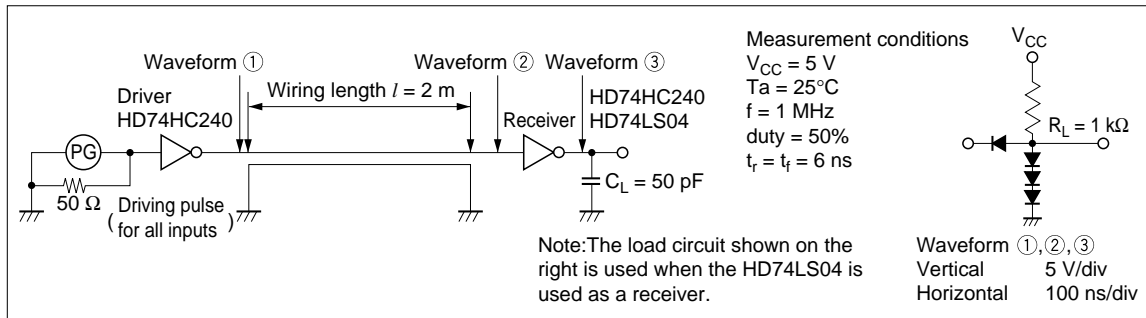


Figure 19 Reflection Ringing Waveforms (Driver: HD74HC240)

---

## Application Note

---

### 7.2 Crosstalk

Crosstalk is the capacitive coupling of signals from one line to another.

Figure 20 shows an example of crosstalk noise levels using a twisted pair cable.

Figure 20 also shows that the wiring length beyond 1 m causes malfunction.

Careful precautions should be taken especially when the spacing between circuits is narrow.

# Application Note

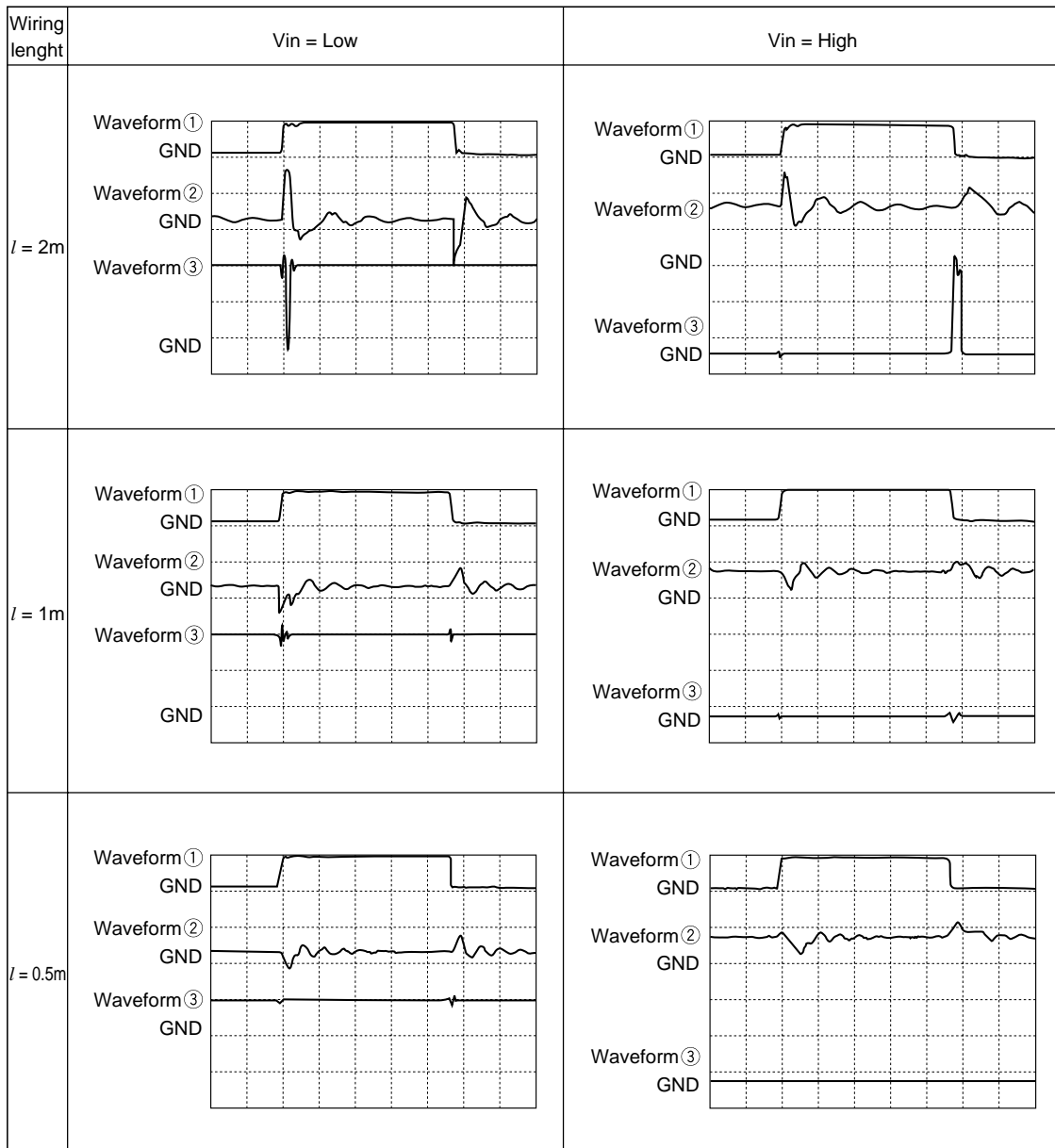
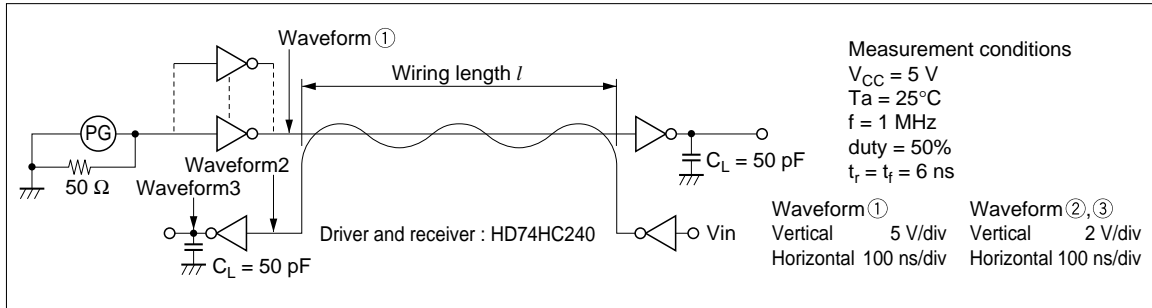


Figure 20 Crosstalk Noise Waveform (Driver: HD74HC240)

## Application Note

### 8. Multivibrator

The output pulse width ( $t_{wq}$ ) of a multivibrator is determined by the external capacitance ( $C_{ext}$ ) and external resistor ( $R_{ext}$ ), and calculated by the equation  $t_{wq} = K \cdot R_{ext} \cdot C_{ext}$ .

The value of constant K determines the part number according to the JEDEC committee as listed in Table 4.

Hitachi has 4 types of high-speed CMOS logic, HD74HC123A, 221, 423A, 4538.

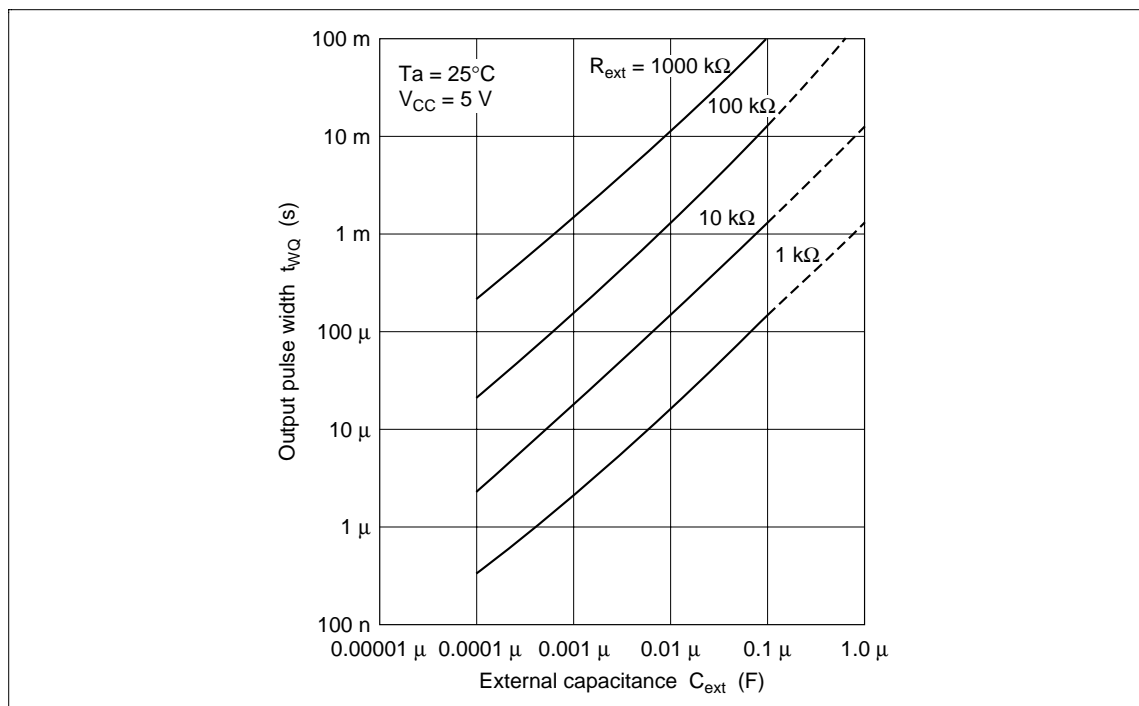
Constant K changes from the values of Table 4 when  $C_{ext}$  is less than 0.01  $\mu$ F.

Figure 21 and 22 graph the output pulse width vs external capacitance, constant K vs power supply voltage characteristics of the HD74HC123A.

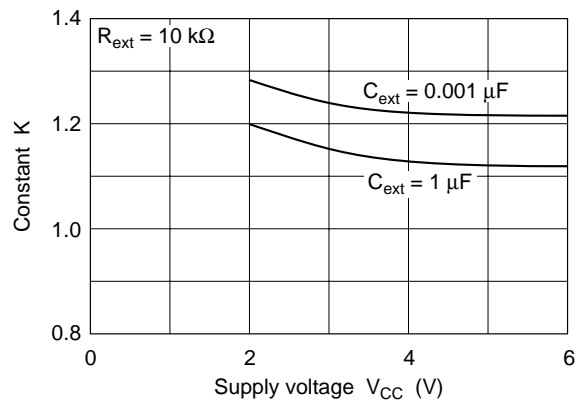
**Table 4 JEDEC SP of Multivibrators**

Product part no.	Output pulse width
74HC123	$t_{wq} = 0.45 \cdot (R_{ext}) \cdot (C_{ext})$
123A*	$t_{wq} = 1.0 \cdot (R_{ext}) \cdot (C_{ext})$
74HC221*	$t_{wq} = 0.7 \cdot (R_{ext}) \cdot (C_{ext})$
221A	$t_{wq} = 1.0 \cdot (R_{ext}) \cdot (C_{ext})$
74HC423	$t_{wq} = 0.45 \cdot (R_{ext}) \cdot (C_{ext})$
423A*	$t_{wq} = 1.0 \cdot (R_{ext}) \cdot (C_{ext})$
74HC4538*	$t_{wq} = 0.7 \cdot (R_{ext}) \cdot (C_{ext})$

Note: \*Presently under mass production at Hitachi.



**Figure 21 Output Pulse Width vs External Capacitance and Resistance**



Note: In order to prevent any malfunctions due to noise, connect a high-frequency performance capacitor between  $V_{CC}$  and GND, and keep the wiring between the external components and Cext, Rext/Cext pins as short as possible.

**Figure 22 Constant K vs Supply Voltage**

---

## Application Note

---

### 9. Interfacing

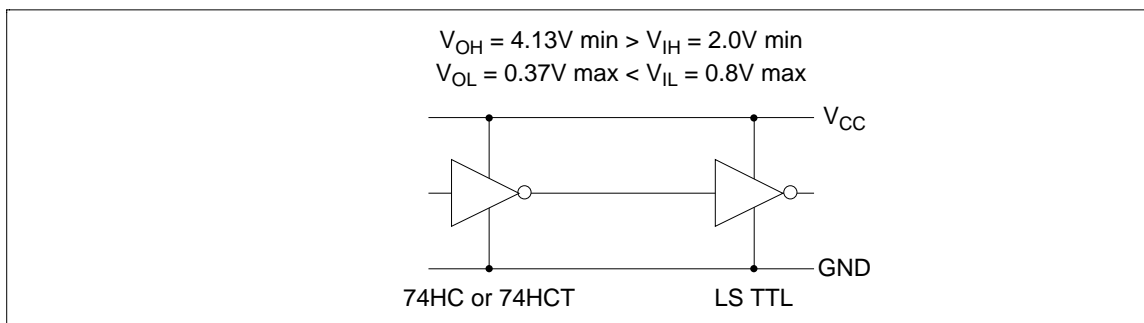
Hitachi's high-speed CMOS logic has two types of input voltage levels, 74HC and 74HCT.

The 74HC has a CMOS-type input level and the 74HCT has a TTL-type input level.

Interfacing from high-speed CMOS logic to LS-TTL

Since the output level of high-speed CMOS logic is of CMOS, the use of an interfacing circuit is not necessary.

This is the same case for a microcomputer and memory IC with TTL input levels.

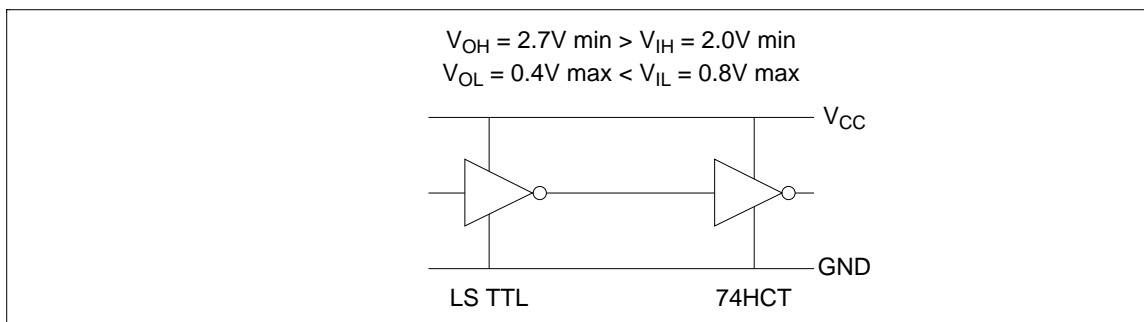


**Figure 23 Interfacing HS-CMOS to LS-TTL**

Interfacing from LS-TTL to high-speed CMOS logic (74HCT type)

An interfacing circuit is not necessary.

This is the same case for a microcomputer and memory IC with TTL output levels.



**Figure 24 Interfacing LS-TTL to 74HCT**

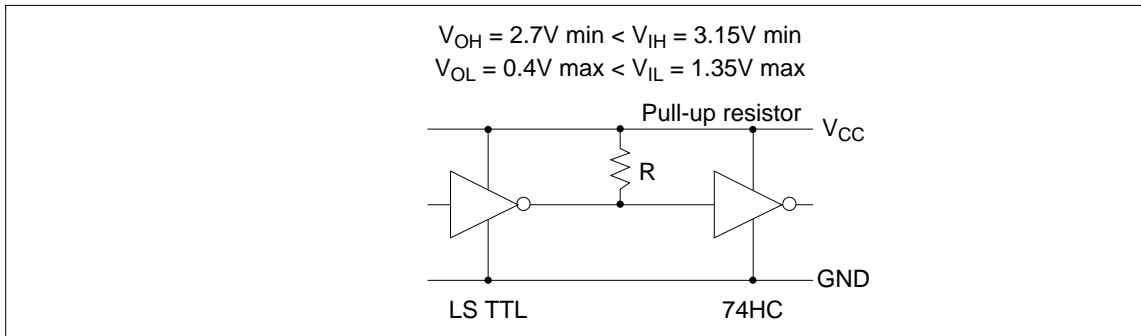
Interfacing from LS-TTL to high-speed CMOS logic (74HC type)

A pull-up resistor should be added as shown in Figure 25.

The output voltage of LS-TTL ( $V_{OH}$ ) is 2.7 V (min), where as the input voltage of 74HC ( $V_{IH}$ ) is 3.15 V (min.).

This implies that LS-TTL cannot drive 74HC types directly.

This is the same case for a microcomputer and memory ICs with TTL output levels.



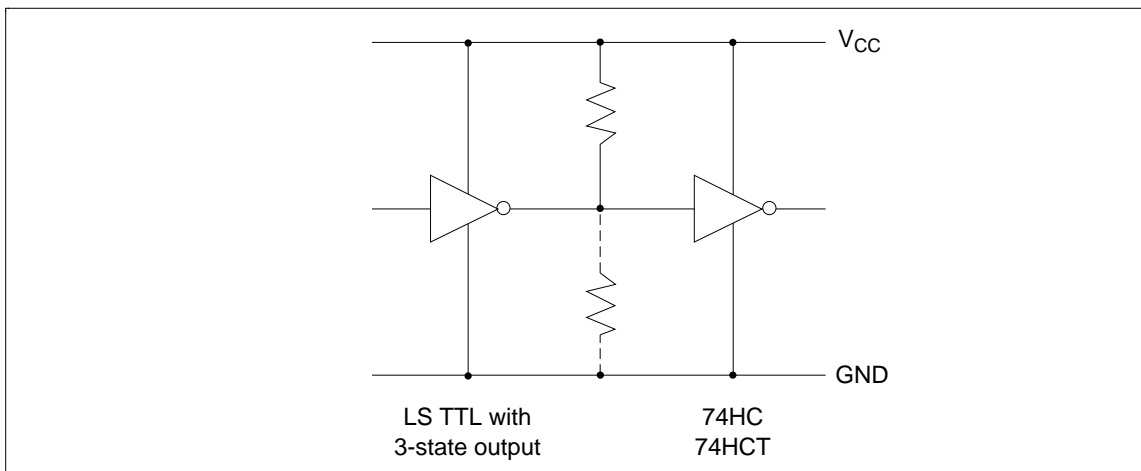
**Figure 25 Interfacing LS-TTL to 74HC**

Interfacing from LS-TTL with 3-state output to high-speed CMOS logic.

A pull-up or pull-down resistor should be added as shown in Figure 26.

When the output of a LS-TTL is in the high-impedance state, the input of the high-speed CMOS becomes unstable.

This is the same case for all devices with a tri-state output structure.



**Figure 26 Interfacing LS-TTL with 3-state Output to 74HC or 74HCT**

## 10. Surface Mount Package

### 10.1 Mounting small outline packages (SOP, TSSOP)

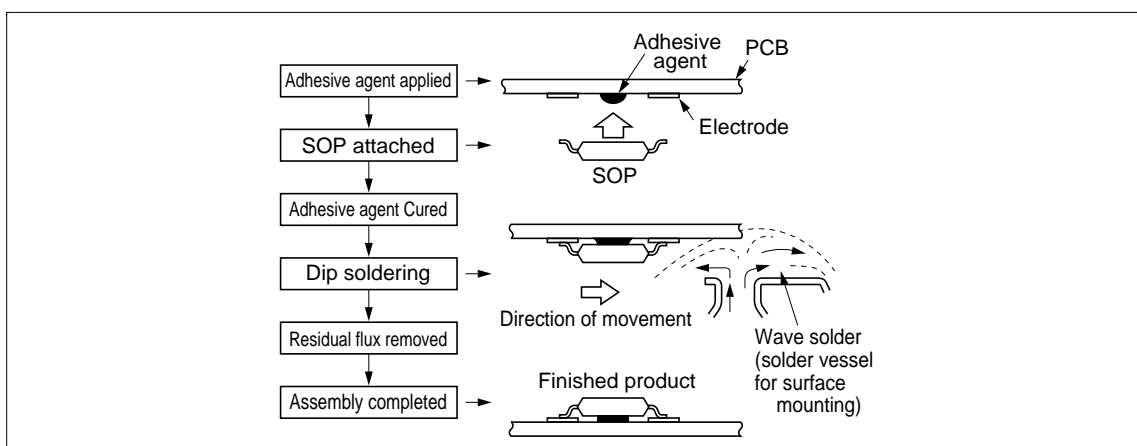
The explanation on the mounting of SOPs describes the characteristics and reliabilities of the small IC package.

#### (1) Dip Soldering

Initially, the package is temporarily fixed on to the board by an adhesive.



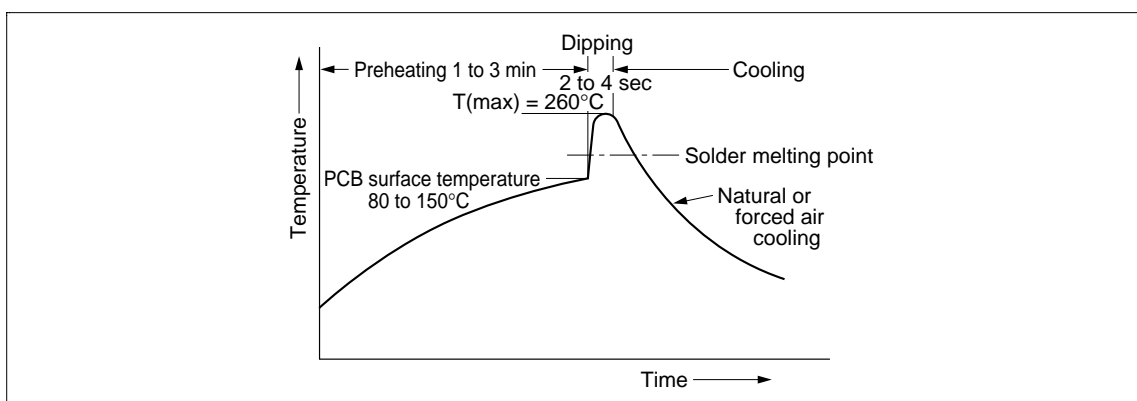
## Application Note



**Figure 27 Process Flow for Dip Soldering SOP**

With the component side of the board downward, the package is then passed through molten solder. Figure 27 depicts the process flow for dip soldering SOP. As compared with reflow methods, this method exerts an extremely high thermal stress on the semiconductor chips. The adverse effects from this thermal should be avoided by providing a preheating zone to lessen the thermal shock and by minimizing the soldering time. Figure 28 shows a typical temperature profile for dip soldering.

The dip soldering temperature is 260°C maximum at a period of 10 seconds maximum (2 to 4 seconds is recommended).



**Figure 28 Temperature Profile of Dip Soldering**

### (2) Reflow Soldering

Reflow soldering is the basic method of mounting the SOP on to a board.

The solder composition to be used is Sn63/Pb37 or Sn62/Pb36/Ag2 with a melting point of 183°C to 193°C.

A recommended pasty flux is solder cream SP210-2 by Tamura Kaken. A pasty flux and organic solvent are also used during the process.

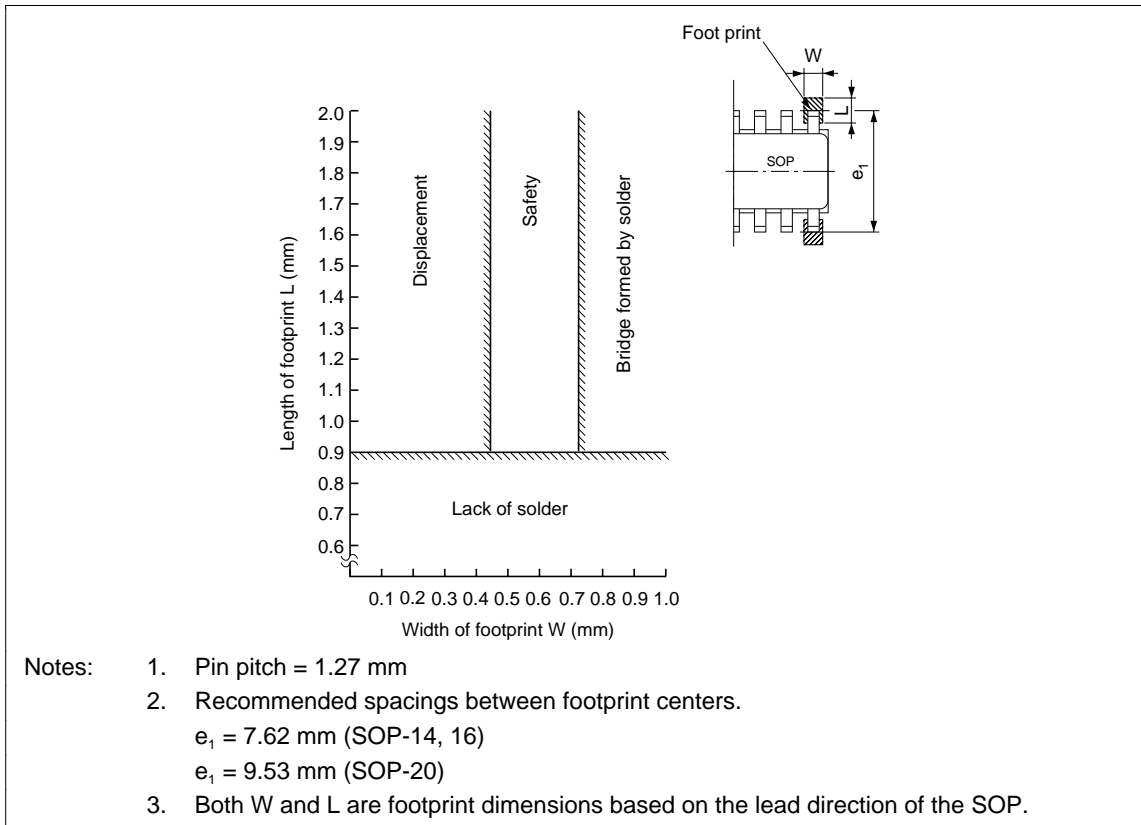
Be careful to reflow solder at a low temperature for short periods of time. The recommended conditions are shown below. The allowable board temperature is 230°C maximum and the maximum heating time is 15 sec.

### (3) Footprint dimension vs solderability

The failure rate of soldering is affected by footprint dimensions. Figure 29 shows the soldering failure with the footprint dimension.

The recommended dimensions are within the safety zone of this figure.

When reflow soldering SOPs, the recommended thickness of a footprint is 0.2 mm min.

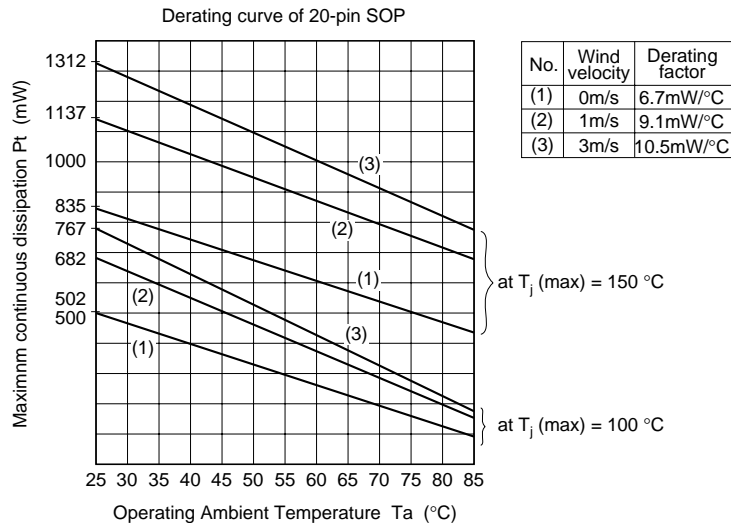
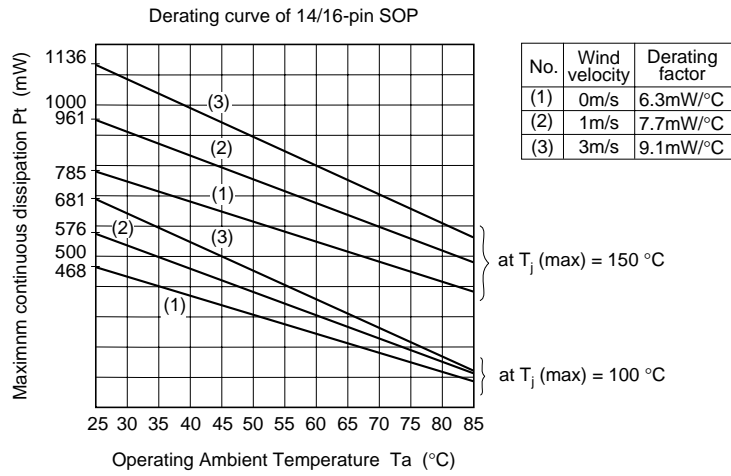


**Figure 29 Recommended Dimension of Footprint**

### (4) Thermal Resistance of SOP

Figure 30 shows the derating curves for SOPs of high-speed CMOS logic, and Table 6 lists the thermal resistance ( $\theta_{j-a}$ ) for SOPs.

# Application Note



**Note:** When  $T_a$  is below 25°C,  $P_T$  becomes the same value as at  $T_a = 25^\circ\text{C}$  being independent of  $T_a$ .

The data above was measured by using the  $\Delta V_{BE}$  method on a glass-epoxy board (40×40×1.0 mm) with wiring density of 10%.

Careful considerations are required for input and load conditions,  $T_a$ , cooling, etc., during actual use.

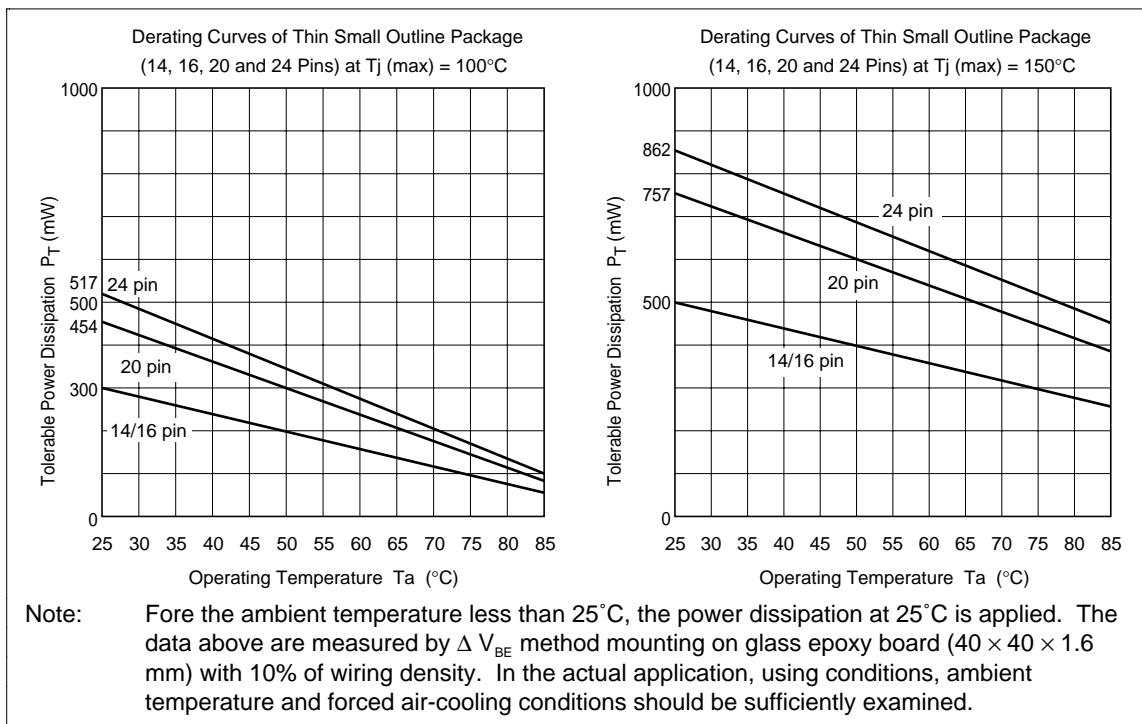
**Figure 30 Derating Curves of SOP**

**Table 6 Thermal Resistance of SOPs**

Number of pins	Wind velocity	Derating factor	Thermal resistance	Maximum continuous dissipation Ta = 25°C	
				T <sub>j</sub> (max) = 150°C	T <sub>j</sub> (max) = 100°C
14	0 m/s	6.3 mW/°C	160 °C/W	785 mW	468 mW
16	1 m/s	7.7 mW/°C	130 °C/W	961 mW	576 mW
	3 m/s	9.1 mW/°C	110 °C/W	1136 mW	681 mW
20	0 m/s	6.7 mW/°C	150 °C/W	835 mW	502 mW
	1 m/s	9.1 mW/°C	110 °C/W	1137 mW	682 mW
	3 m/s	10.5 mW/°C	95 °C/W	1312 mW	787 mW

(5) Thermal Resistance of TSSOP

Figure 31 shows the derating curve of TSSOP with HD74BC/AC/HC devices, table 7 shows the thermal resistance ( $\theta_{j-a}$ ) and figure 32 shows the mounting method.



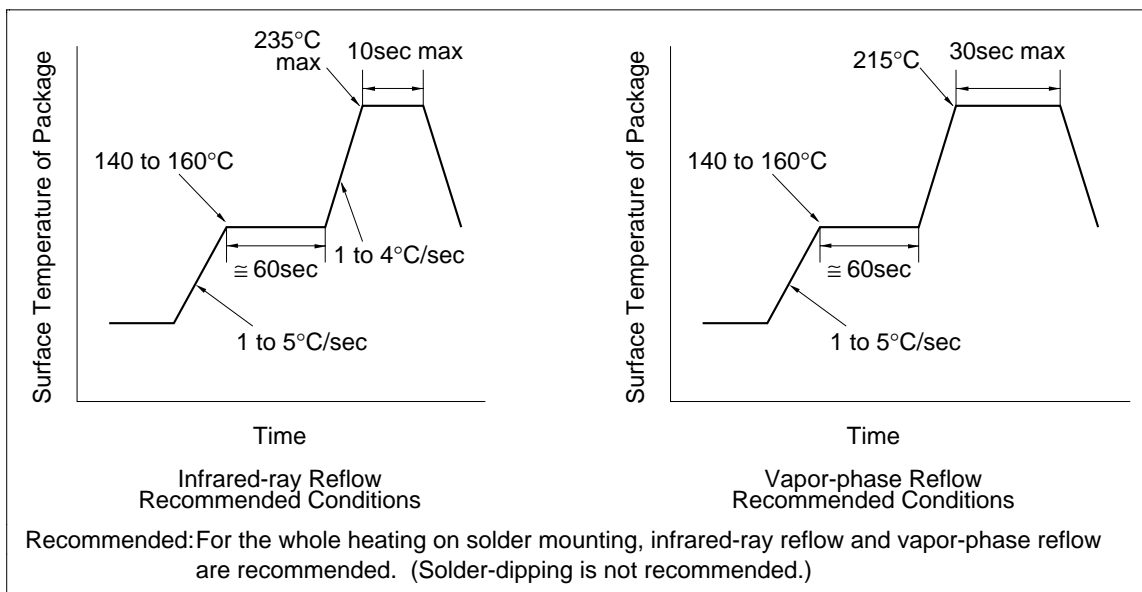
**Figure 31 Derating Curve of TSSOP**

## Application Note

**Table 7 Thermal Resistance of TSSOP Package**

Number of pins	Wind velocity	Derating factor	Thermal resistance	Tolerable power dissipation	
				at $T_j(\text{max}) = 150^\circ\text{C}$	at $T_j(\text{max}) = 100^\circ\text{C}$
14	0 m/s	4.0 mW/°C	250°C/W	500 mW	300 mW
16					
20	0 m/s	6.1 mW/°C	165°C/W	757 mW	454 mW
24	0 m/s	6.9 mW/°C	145°C/W	862 mW	517 mW

### (6) TSSOP Solder Mounting

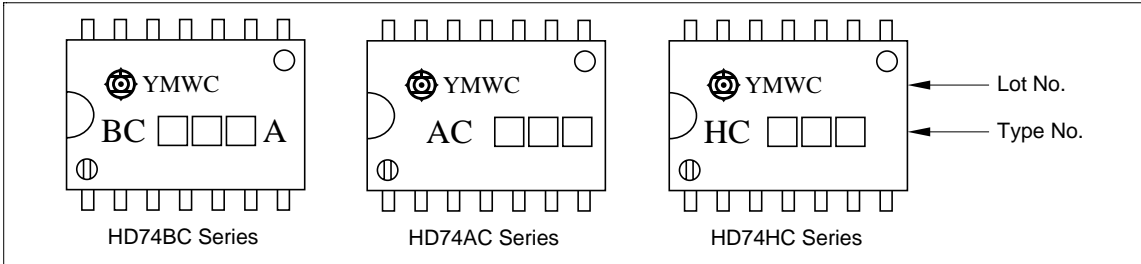


**Figure 32 Mounting Method of TSSOP**

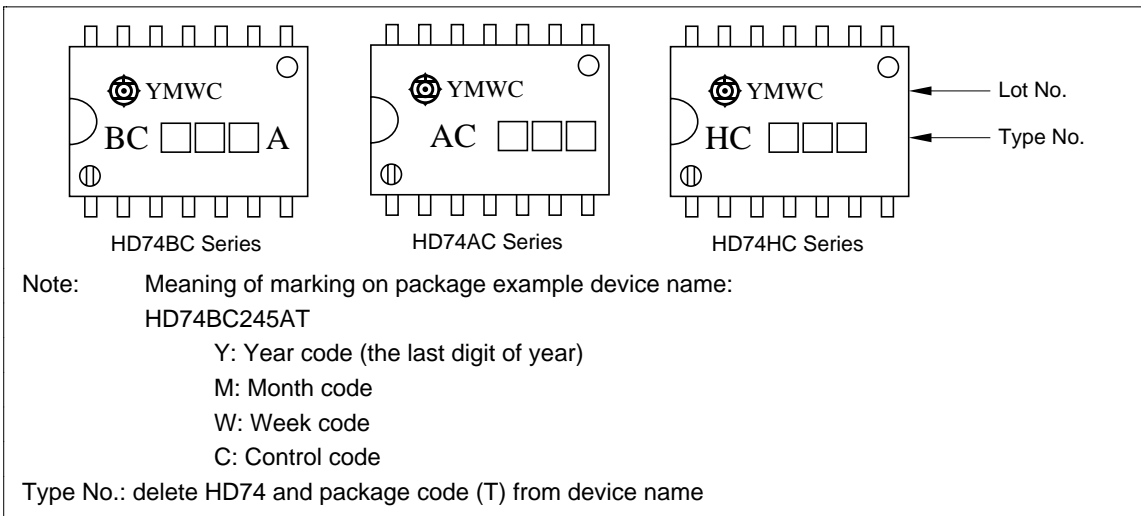
## Application Note

### (7) Marking on Package

#### (a) Small outline Package (EIAJ) 14, 16, 20 pins



#### (b) Small outline Package (JEDEC) 14, 16, 20 pins



#### (c) Thin Shrink Small outline Package 14, 16, 20 pins

