

# Low Duty LCD Segment Driver for Automotive Application

**BU91796BMUF-M    MAX 80 Segments (SEG20×COM4)**

## General Description

BU91796BMUF-M is a 1/4 duty general-purpose LCD driver that can be used for automotive applications and can drive up to 80 LCD Segments.

It can support operating temperature of up to +105 °C and qualified for AEC-Q100 Grade2, as required for automotive applications.

Wettable flank QFN package is suitable for small footprint applications and provides significant advantages in inspectability and solder joint reliability.

## Features

- AEC-Q100 Qualified<sup>(Note 1)</sup>
- Integrated RAM for Display Data (DDRAM):  
20 x 4 bit (Max 80 Segment)
- LCD Drive Output:  
4 Common Output, Max 20 Segment Output
- Integrated Buffer AMP for LCD Driving
- Integrated Oscillator Circuit
- No External Components
- Low Power Consumption Design

(Note 1) Grade 2

## Applications

- Instrument Clusters
  - Climate Controls
  - Car Audios / Radios
  - Metering
  - White Goods
  - Healthcare Products
  - Battery Operated Applications
- etc.

## Key Specifications

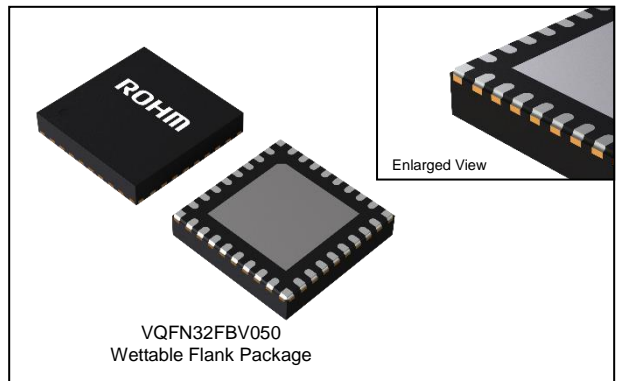
- Supply Voltage Range: +2.5 V to +6.0 V
- Operating Temperature Range: -40 °C to +105 °C
- Max Segments: 80 Segments
- Display Duty: 1/4
- Bias: 1/3
- Interface: 2 Wire Serial Interface

## Special Characteristics

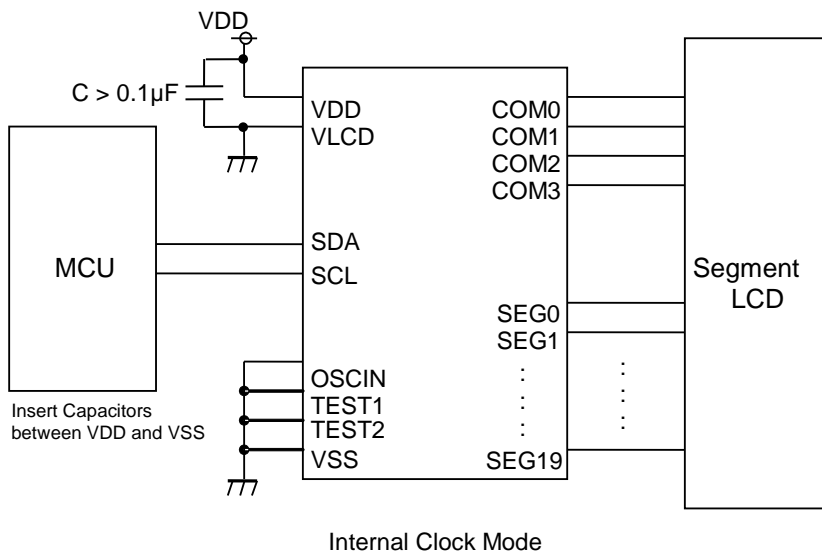
- ESD (HBM): ±2000 V
- Latch-up Current: ±100 mA

## Package

VQFN32FBV050    W (Typ) x D (Typ) x H (Max)  
5.0 mm x 5.0 mm x 1.0 mm



## Typical Application Circuit



○Product structure : Silicon integrated circuit    ○This product has no designed protection against radioactive rays.

Block Diagram / Pin Configuration / Pin Description

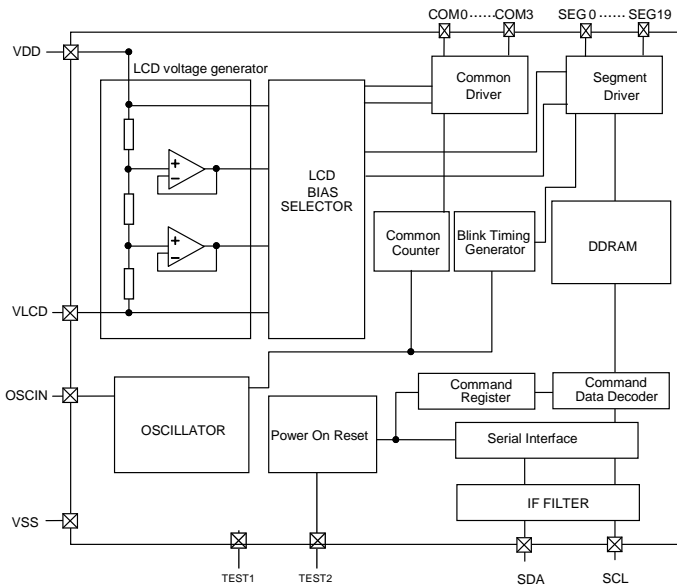


Figure 1. Block Diagram

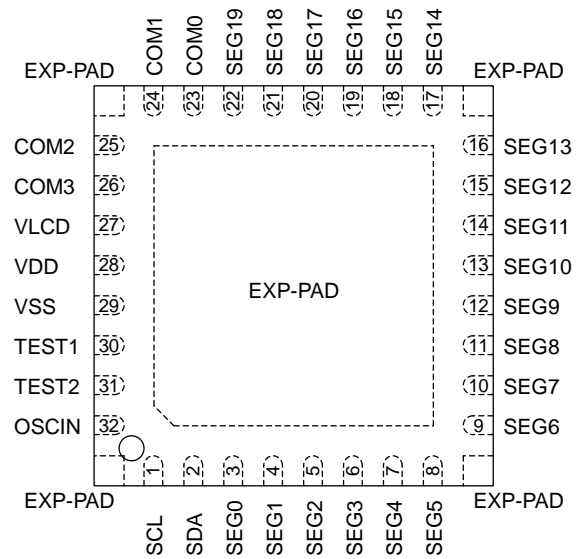


Figure 2. Pin Configuration (TOP VIEW)

Table 1. Pin Description

Pin Name	Pin No.	I/O	Function	Handling when unused
SCL	1	I	Serial clock pin	-
SDA	2	I/O	Serial data input-output pin	-
SEG0 to SEG19	3 to 22	O	SEGMENT output for LCD driving	OPEN
COM0 to COM3	23 to 26	O	COMMON output for LCD driving	OPEN
VLCD	27	-	Power supply for LCD driving	-
VDD	28	-	Power supply	-
VSS	29	-	Ground	-
TEST1	30	I	Test input (ROHM use only) Must be connected to VSS	VSS
TEST2	31	I	POR enable setting VDD: POR disable <sup>(Note 1)</sup> VSS: POR enable	VSS
OSCIN	32	I	External clock input External clock and Internal oscillator can be selected by command Must be connected to VSS when using internal clock mode.	VSS
EXP-PAD	-	-	Connect to GND or leave OPEN the central EXP-PAD. The central EXP-PAD and the corner EXP-PAD are shorted inside the package.	OPEN/VSS

(Note 1) This function is guaranteed by design, not tested in production process. Software Reset is necessary to initialize IC in case of TEST2 = VDD.

## Absolute Maximum Ratings (Ta = 25 °C, VSS = 0 V)

Parameter	Symbol	Ratings	Unit	Remarks
Power Supply Voltage1	VDD	-0.5 to +7.0	V	Power Supply
Power Supply Voltage2	VLCD	-0.5 to VDD	V	LCD Drive Voltage
Power Dissipation	Pd	0.70 <sup>(Note 1)</sup>	W	
Input Voltage Range	V <sub>IN</sub>	-0.5 to VDD + 0.5	V	
Maximum Junction Temperature	T <sub>jmax</sub>	125	°C	
Storage Temperature Range	T <sub>stg</sub>	-55 to +125	°C	

**Caution 1:** Operating the IC over the absolute maximum ratings may damage the IC. The damage can either be a short circuit between pins or an open circuit between pins and the internal circuitry. Therefore, it is important to consider circuit protection measures, such as adding a fuse, in case the IC is operated over the absolute maximum ratings.

**Caution 2:** Should by any chance the maximum junction temperature rating be exceeded the rise in temperature of the chip may result in deterioration of the properties of the chip. In case of exceeding this absolute maximum rating, design a PCB with power dissipation taken into consideration by increasing board size and copper area so as not to exceed the maximum junction temperature rating.

(Note 1) Delete by 7.0mW/°C when operating above Ta = 25°C (when mounted in ROHM's standard board).

## Recommended Operating Conditions (VSS = 0 V)

Parameter	Symbol	Ratings			Unit	Remarks
		Min	Typ	Max		
Operational Temperature	Topr	-40	-	+105	°C	
Power Supply Voltage1	VDD	2.5	-	6.0	V	Power Supply
Power Supply Voltage2	VLCD	0	-	VDD - 2.4	V	LCD Drive Voltage, VDD - VLCD ≥ 2.4 V

## Electrical Characteristics

DC Characteristics (VDD = 2.5 V to 6.0 V, VLCD = 0 V, VSS = 0 V, Ta = -40 °C to +105 °C, unless otherwise specified)

Parameter	Symbol	Limits			Unit	Conditions
		Min	Typ	Max		
"H" Level Input Voltage	V <sub>IH</sub>	0.7VDD	-	VDD	V	SDA,SCL,OSCIN
"L" Level Input Voltage	V <sub>IL</sub>	VSS	-	0.3VDD	V	SDA,SCL,OSCIN
"H" Level Input Current	I <sub>IH</sub>	-	-	1	μA	SDA,SCL,OSCIN <sup>(Note 2)</sup> , TEST2
"L" Level Input Current	I <sub>IL</sub>	-1	-	-	μA	SDA,SCL,OSCIN,TEST2
SDA "L" Level Output Voltage	V <sub>OL_SDA</sub>	0	-	0.4	V	I <sub>LOAD</sub> = 3 mA
LCD Driver On Resistance	SEG	R <sub>ON</sub>	-	3	-	kΩ
	COM	R <sub>ON</sub>	-	3	-	kΩ
VLCD Supply Voltage	VLCD	0	-	VDD - 2.4	V	VDD - VLCD ≥ 2.4 V
Standby Current	I <sub>DD1</sub>	-	-	5	μA	Display off, Oscillation off
Power Consumption	I <sub>DD2</sub>	-	12.5	30	μA	VDD = 3.3 V, VLCD = 0 V, Ta = 25 °C Power save mode1, FR <sup>(Note 3)</sup> = 71 Hz 1/3 bias, Frame inverse

(Note 2) For external clock mode only.

(Note 3) Frame Rate

Electrical Characteristics – continued

Oscillation Characteristics (VDD = 2.5 V to 6.0 V, VLCD = 0 V, VSS = 0 V, Ta = -40 °C to +105 °C, unless otherwise specified)

Parameter	Symbol	Limits			Unit	Conditions
		Min	Typ	Max		
Frame Frequency1	f <sub>CLK1</sub>	56	80	112	Hz	FR = 80 Hz setting, VDD = 2.5 V to 6.0 V, Ta = -40 °C to +105 °C
Frame Frequency2	f <sub>CLK2</sub>	70	80	90	Hz	FR = 80 Hz setting, VDD = 3.3 V, Ta = 25 °C
Frame Frequency3	f <sub>CLK3</sub>	77.5	87.5	97.5	Hz	FR = 80 Hz setting, VDD = 5.0 V, Ta = 25 °C
Frame Frequency4	f <sub>CLK4</sub>	67.5	87.5	108	Hz	FR = 80 Hz setting, VDD = 5.0 V, Ta = -40 °C to +105 °C
External Clock Rise Time	t <sub>R</sub>	-	-	0.3	μs	External clock mode (OSCIN) <sup>(Note 1)</sup>
External Clock Fall Time	t <sub>F</sub>	-	-	0.3	μs	
External Frequency	f <sub>EXCLK</sub>	15	-	300	kHz	
External Clock Duty	t <sub>DTY</sub>	30	50	70	%	

(Note 1) <Frame frequency calculation at external clock mode>

DISCTL 80 Hz setting: Frame frequency [Hz] = external clock [Hz] / 512

DISCTL 71 Hz setting: Frame frequency [Hz] = external clock [Hz] / 576

DISCTL 64 Hz setting: Frame frequency [Hz] = external clock [Hz] / 648

DISCTL 53 Hz setting: Frame frequency [Hz] = external clock [Hz] / 768

[Reference Data]

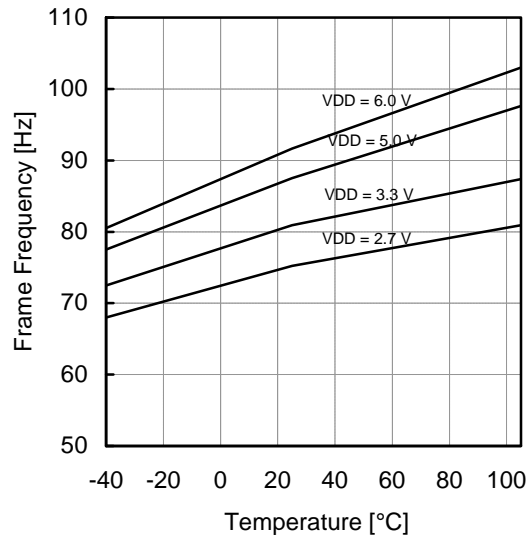


Figure 3. Frame Frequency Typical Temperature Characteristics

Electrical Characteristics - continued

MPU Interface Characteristics (VDD = 2.5 V to 6.0 V, VLCD = 0 V, VSS = 0 V, Ta = -40 °C to +105 °C, unless otherwise specified)

Parameter	Symbol	Limits			Unit	Conditions
		Min	Typ	Max		
Input Rise Time	$t_R$	-	-	0.3	$\mu\text{s}$	
Input Fall Time	$t_F$	-	-	0.3	$\mu\text{s}$	
SCL Cycle Time	$t_{SCYC}$	2.5	-	-	$\mu\text{s}$	
"H" SCL Pulse Width	$t_{SHW}$	0.6	-	-	$\mu\text{s}$	
"L" SCL Pulse Width	$t_{SLW}$	1.3	-	-	$\mu\text{s}$	
SDA Setup Time	$t_{SDS}$	100	-	-	ns	
SDA Hold Time	$t_{SDH}$	100	-	-	ns	
Buss Free Time	$t_{BUF}$	1.3	-	-	$\mu\text{s}$	
START Condition Hold Time	$t_{HD:STA}$	0.6	-	-	$\mu\text{s}$	
START Condition Setup Time	$t_{SU:STA}$	0.6	-	-	$\mu\text{s}$	
STOP Condition Setup Time	$t_{SU:STO}$	0.6	-	-	$\mu\text{s}$	

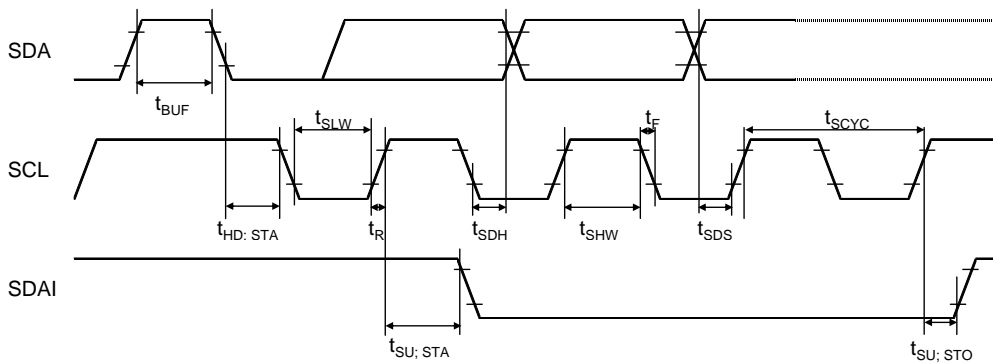
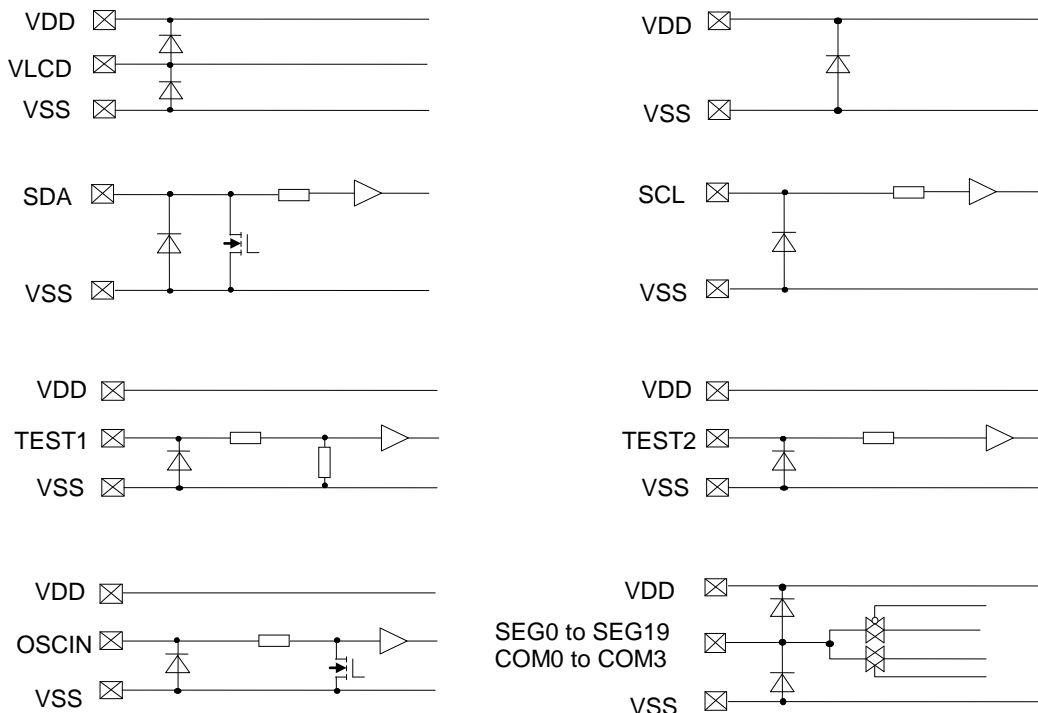
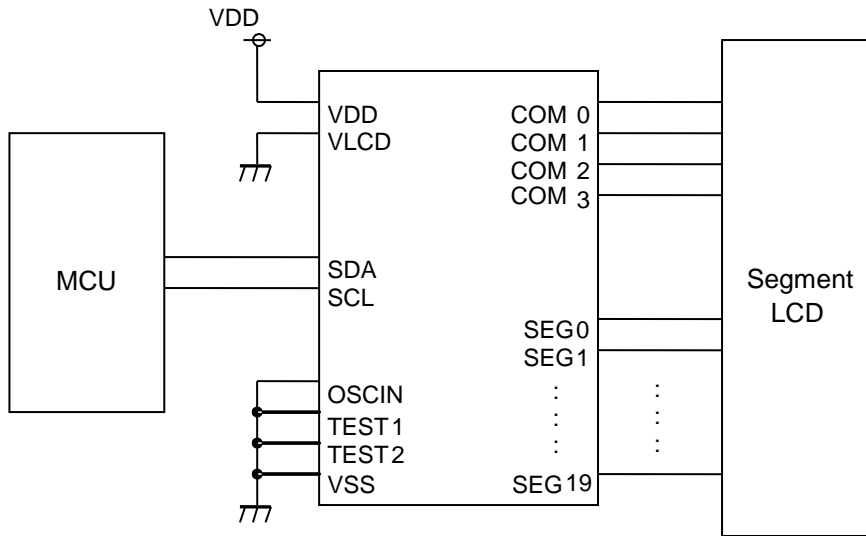


Figure 4. Interface Timing

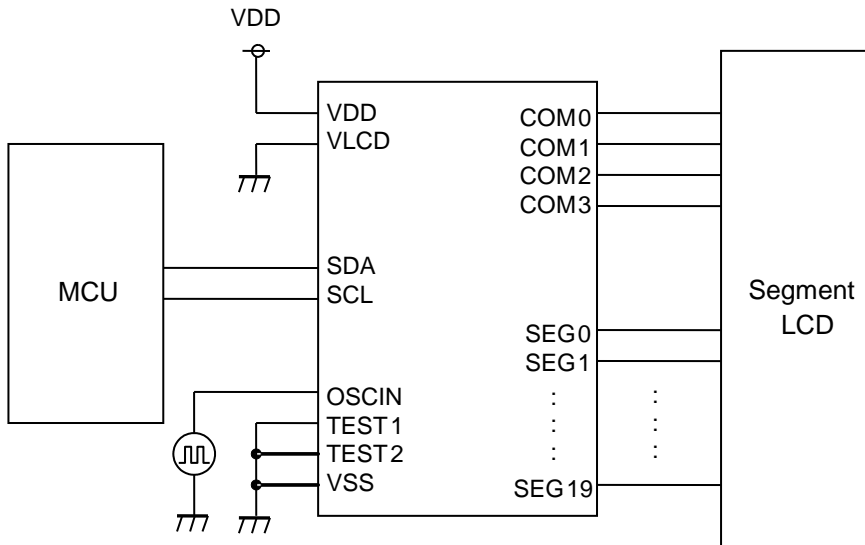
I/O Equivalence Circuit



Application Example



Internal Clock Mode



External Clock Mode

Functional Descriptions

Command / Data Transfer Method

BU91796BMUF-M is controlled by 2 wire serial interface signal (SDA, SCL).

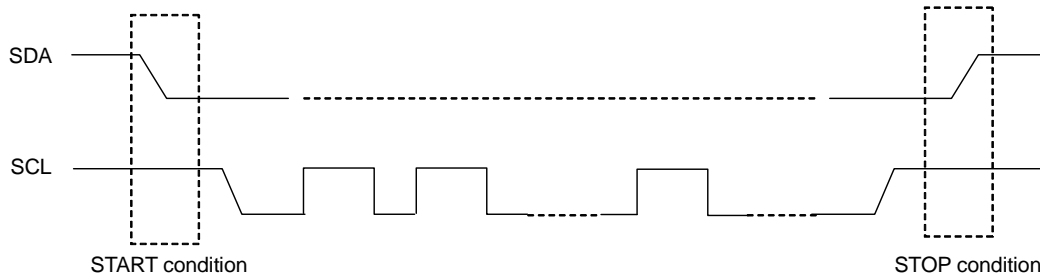


Figure 5. 2 wire serial interface Command/Data Transfer Format

It is necessary to generate START and STOP condition when sending Command or Display Data through this 2 wire serial interface.

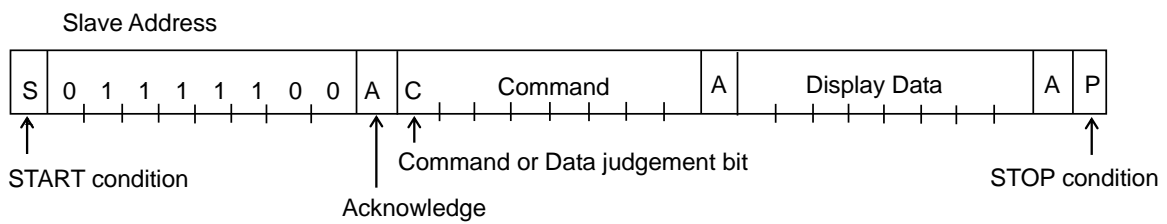


Figure 6. Interface Protocol

Slave Address = "0111100": Write Mode

The following procedure shows how to transfer Command and Display Data.

- (1) Generate "START condition".
- (2) Issue Slave Address.
- (3) Transfer Command and Display Data.
- (4) Generate "STOP condition"

Acknowledge (ACK)

Data format is comprised of 8 bits, acknowledge bit is returned after sending 8-bit data.

After the transfer of 8-bit data (Slave Address, Command, Display Data), release the SDA line at the falling edge of the 8th clock. The SDA line is then pulled "Low" until the falling edge of the 9th clock SCL.

(Output cannot be pulled "High" because of open drain NMOS).

If acknowledge function is not required, keep SDA line at "Low" level from 8th falling edge to 9th falling edge of SCL.

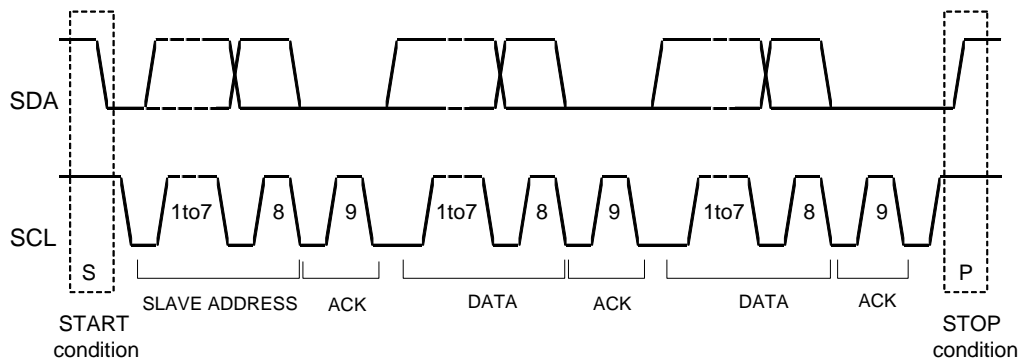
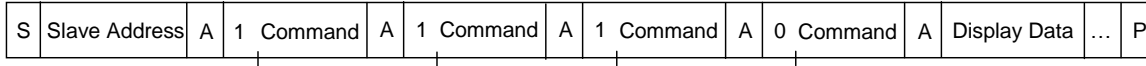


Figure 7. Acknowledge Timing

Functional Descriptions - continued

Command Transfer Method

Issue Slave Address ("01111100") after generating "START condition".  
 The 1<sup>st</sup> byte after Slave Address always becomes command input.  
 MSB ("command or data judge bit") of command decide to next data is Command or Display Data.  
 When set "command or data judge bit" = '1', next byte will be command.  
 When set "command or data judge bit" = '0', next byte data is Display Data.

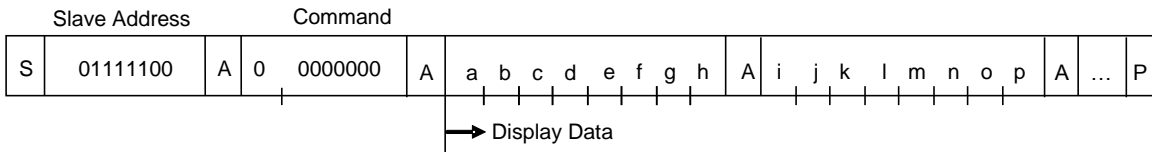


It cannot accept input command once it enters into Display Data transfer state.  
 In order to input command again it is necessary to generate "START condition".  
 If "START condition" or "STOP condition" is sent in the middle of command transmission, command will be cancelled.  
 If Slave Address is continuously sent following "START condition", it remains in command input state.  
 "Slave Address" must be sent right after the "START condition".  
 When Slave Address cannot be recognized in the first data transmission, no Acknowledge bit is generated and next transmission will be invalid. When data is invalid status, if "START condition" is transmitted again, it will return to valid status.

Consider the MPU interface characteristic such as Input rise time and Setup/Hold time when transferring command and data (Refer to [MPU Interface Characteristics](#)).

Write Display Data and Transfer Method

BU91796BMUF-M has Display Data RAM (DDRAM) of 20 x 4 = 80 bit.  
 The relationship between data input and Display Data, DDRAM Data and address are as follows;



8-bit data is stored in DDRAM. ADSET command specifies the address to be written, and address is automatically incremented in every 4-bit data.  
 Data can be continuously written in DDRAM by transmitting data continuously.  
 When RAM data is written successively, after writing RAM data to 13h (SEG19), the address is returned to 00h (SEG0) by the auto-increment function.

		DDRAM address													
		00h	01h	02h	03h	04h	05h	06h	07h	...	11h	12h	13h		
BIT	0	a	e	i	m									COM0	
	1	b	f	j	n									COM1	
	2	c	g	k	o									COM2	
	3	d	h	l	p									COM3	
		SEG0	SEG1	SEG2	SEG3	SEG4	SEG5	SEG6	SEG7		SEG17	SEG18	SEG19		

Display Data is written to DDRAM every 4-bit data.  
 No need to wait for ACK bit to complete data transfer.



Functional Descriptions - continued

**Oscillator**

The clock signals for internal circuit and panel display can be generated from internal oscillator or external clock. If internal clock mode is used, OSCIN must be connected to VSS level. When using external clock mode, input clock from OSCIN pin after ICSET command setting.

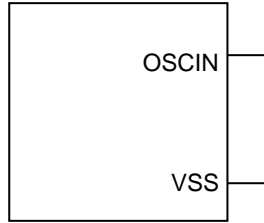


Figure 8. Internal Clock Mode

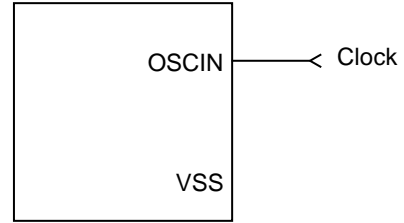


Figure 9. External Clock Mode

**LCD Driver Bias Circuit**

BU91796BMUF-M generates LCD driving voltage with on-chip Buffer AMP. And it can drive LCD at low power consumption. Line or frame inversion can be set by DISCTL command. Refer to the [“LCD Driving Waveform”](#) for each LCD bias setting.

**Blink Timing Generator**

BU91796BMUF-M has Blink function. Blink mode is asserted by BLKCTL command. The Blink frequency varies depending on frame frequency characteristics at internal clock mode. Refer to [“Oscillation Characteristics”](#) for frame frequency.

**Reset Initialize Condition**

Initial condition after executing Software Reset is as follows.  
 -Display is OFF.  
 -DDRAM address is initialized (DDRAM Data is not initialized).  
 Refer to [“Detailed Command Description”](#) for initial value of registers.

**Command / Function List**

Description List of Command / Function

No.	Command	Function
1	Set IC Operation (ICSET)	Software reset, internal/external clock setting
2	Display Control (DISCTL)	Frame frequency, Power save mode setting
3	Address Set (ADSET)	DDRAM address setting (00h to 13h)
4	Mode Set (MODESET)	Display on/off setting, 1/3bias setting
5	Blink Control (BLKCTL)	Blink off/0.5 Hz/1.0 Hz/2.0 Hz blink setting
6	All Pixel Control (APCTL)	All pixels on/off during DISPON

Functional Descriptions - continued

Detailed Command Description

D7 (MSB) is a command or data judgment bit.  
Refer to [“Command / Data Transfer Method”](#).

C: 0: Next byte is RAM write data.  
1: Next byte is command.

Set IC Operation (ICSET)

MSB							LSB	
D7	D6	D5	D4	D3	D2	D1	D0	
C	1	1	0	1	*	P1	P0	

(\*: Don't care)

Set software reset execution.

Setup	P1
No operation	0
Software Reset Execute	1

When “Software Reset” is executed, BU91796BMUF-M is reset to initial condition.  
(Refer to [“Reset Initialize Condition”](#))  
Do not set Software Reset (P1) with P0 at the same time.

Set clock mode

Setup	P0	Reset initialize condition
Internal oscillator	0	o
External clock	1	-

Internal clock mode: OSCIN must be connected to VSS level.

External clock mode: Input external clock from OSCIN pin.

<Frame frequency Calculation at external clock mode>

- DISCTL 80 Hz setting: Frame frequency [Hz] = external clock [Hz] / 512
- DISCTL 71 Hz setting: Frame frequency [Hz] = external clock [Hz] / 576
- DISCTL 64 Hz setting: Frame frequency [Hz] = external clock [Hz] / 648
- DISCTL 53 Hz setting: Frame frequency [Hz] = external clock [Hz] / 768

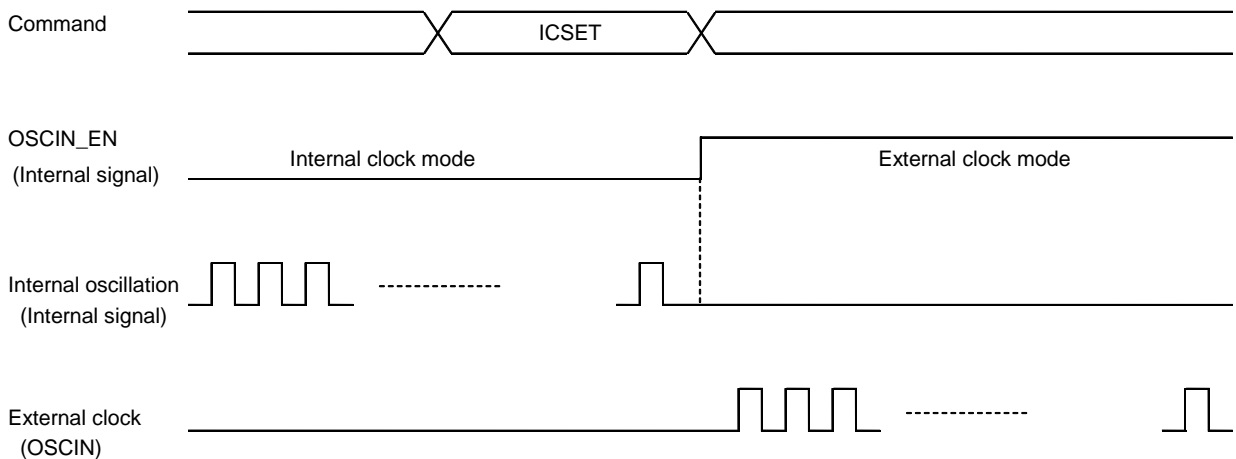


Figure 10. OSC MODE Switch Timing

Functional Descriptions - continued

Display Control (DISCTL)

MSB							LSB	
D7	D6	D5	D4	D3	D2	D1	D0	
C	0	1	P4	P3	P2	P1	P0	

Set Power save mode FR.

Setup	P4	P3	Reset initialize condition
Normal mode (80 Hz)	0	0	○
Power save mode 1 (71 Hz)	0	1	-
Power save mode 2 (64 Hz)	1	0	-
Power save mode 3 (53 Hz)	1	1	-

Power consumption is reduced in the following order:  
Normal mode > Power save mode1 > Power save mode 2 > Power save mode 3.

Set LCD drive waveform.

Setup	P2	Reset initialize condition
Line inversion	0	○
Frame inversion	1	-

Power consumption is reduced in the following order:  
Line inversion > Frame inversion  
Typically, when driving large capacitance LCD, Line inversion will increase the influence of crosstalk.  
Regarding driving waveform, refer to “[LCD Driving Waveform](#)”.

Set Power save mode SR<sup>(Note 1)</sup>.

Setup	P1	P0	Reset initialize condition
Power save mode 1	0	0	-
Power save mode 2	0	1	-
Normal mode	1	0	○
High power mode	1	1	-

(Note 1) Slew Rate

Power consumption is increased in the following order:  
Power save mode 1 < Power save mode 2 < Normal mode < High power mode  
Use VDD - VLCD ≥ 3.0 V in High power mode condition.

(Reference current consumption data)

Setup	Current consumption
Power save mode 1	×0.5
Power save mode 2	×0.67
Normal mode	×1.0
High power mode	×1.8

The data above is for reference only. Actual consumption depends on Panel load.

Address Set (ADSET)

MSB							LSB	
D7	D6	D5	D4	D3	D2	D1	D0	
C	0	0	P4	P3	P2	P1	P0	

The range of address can be set from 00000 to 10011(bin).  
Do not set out of range address, otherwise address will be set 00000.

## Functional Descriptions - continued

## Mode Set (MODESET)

MSB							LSB
D7	D6	D5	D4	D3	D2	D1	D0
C	1	0	*	P3	0	*	*

(\*: Don't care)

Set display off and on.

Setup	P3	Reset initialize condition
Display off (DISPOFF)	0	○
Display on (DISPON)	1	-

Display off: Regardless of DDRAM Data, all SEGMENT and COMMON output will be stopped after writing the OFF level of 1 frame. Display off mode will be disabled after Display on command.

Display on: SEGMENT and COMMON output will be active and start to read the Display Data from DDRAM.

Set 1/3 bias level

Setup	P2	Reset initialize condition
1/3 Bias	0	○
Prohibit	1	-

Refer to "[LCD Driving Waveform](#)".

## Blink Control (BLKCTL)

MSB							LSB
D7	D6	D5	D4	D3	D2	D1	D0
C	1	1	1	0	*	P1	P0

(\*: Don't care)

Set blink mode.

Blink mode (Hz)	P1	P0	Reset initialize condition
OFF	0	0	○
0.5	0	1	-
1.0	1	0	-
2.0	1	1	-

The Blink frequency varies depending on frame frequency characteristics at internal clock mode.

Refer to "[Oscillation Characteristics](#)" for frame frequency.

## All Pixel Control (APCTL)

MSB							LSB
D7	D6	D5	D4	D3	D2	D1	D0
C	1	1	1	1	1	P1	P0

All display dot set ON, OFF

Setup	P1	Reset initialize condition
Normal	0	○
All pixel on (APON)	1	-

Setup	P0	Reset initialize condition
Normal	0	○
All pixel off (APOFF)	1	-

All pixels on: All pixels are ON regardless of DDRAM Data.

All pixels off: All pixels are OFF regardless of DDRAM Data.

This command is valid in Display on status. The data of DDRAM is not changed by this command.

If set both P1 and P0 = "1", APOFF will be selected.

LCD Driving Waveform

(1/3bias)

Line Inversion

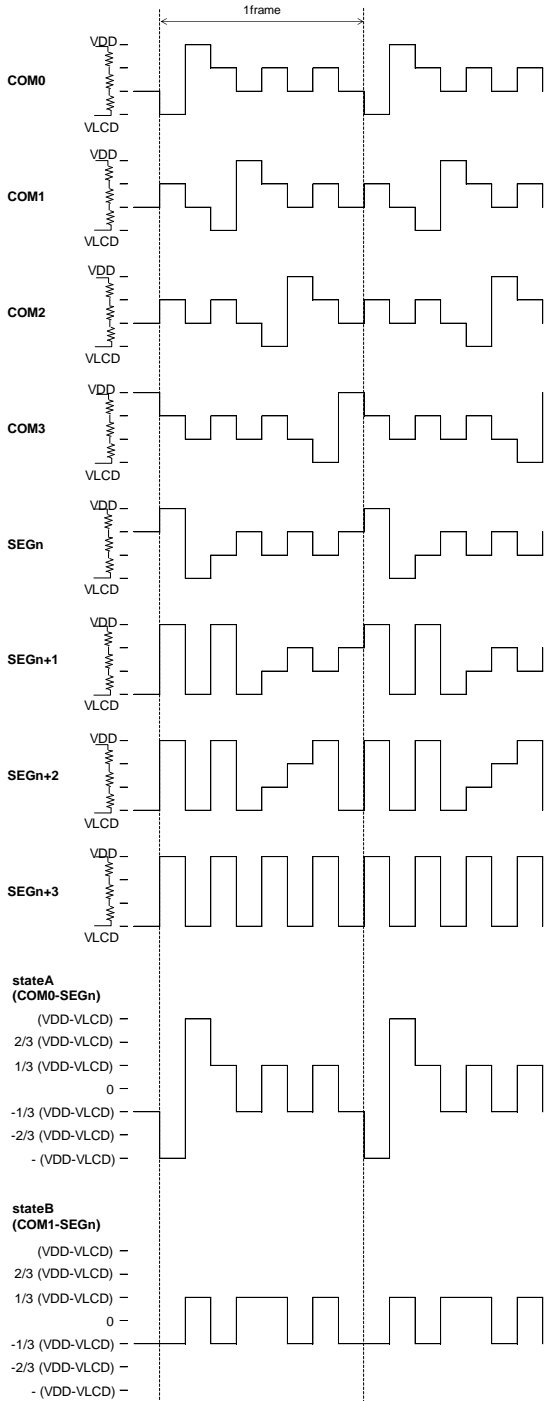
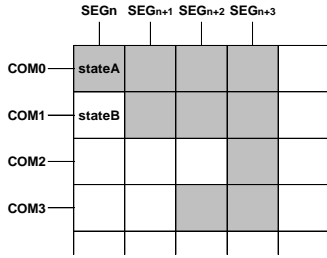


Figure 11. LCD Waveform at Line Inversion (1/3bias)

Frame Inversion

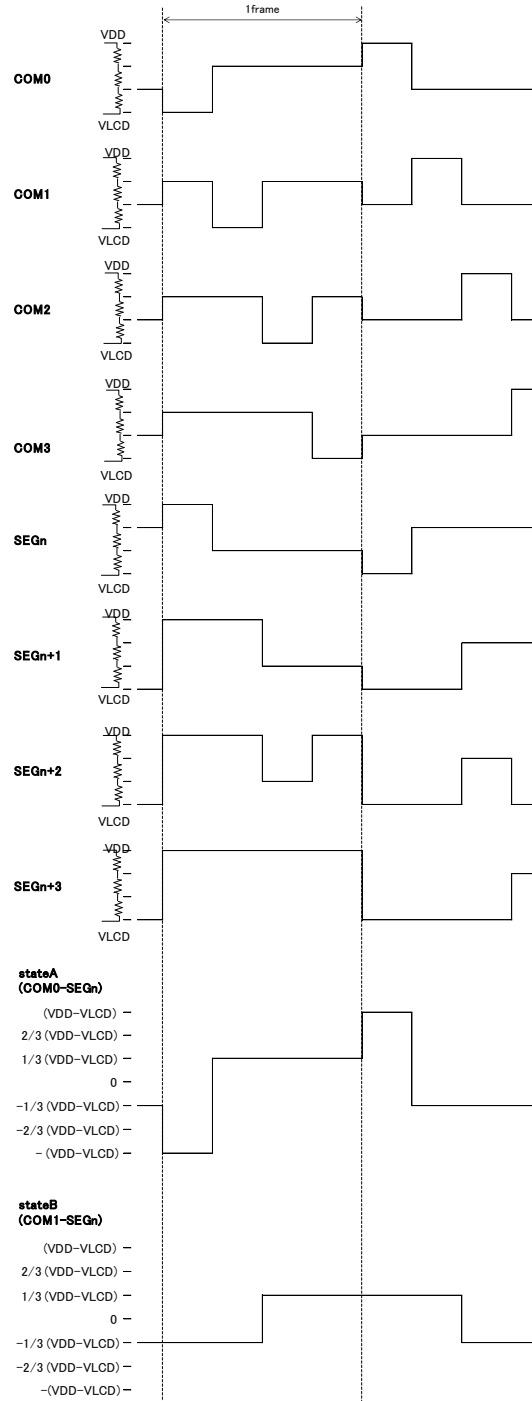
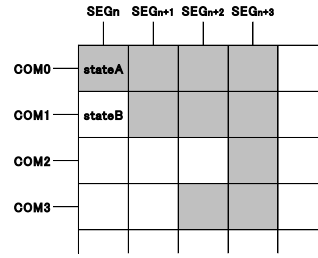


Figure 12. LCD Waveform at Frame Inversion (1/3bias)

Example of Display Data

If LCD layout pattern is like Figure 13 and Figure 14, and display pattern is like Figure 15, Display Data will be shown as below.

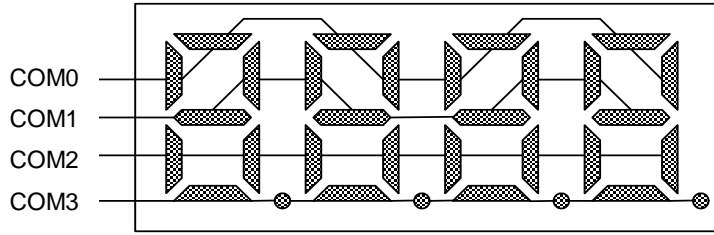


Figure 13. Example COM Line Pattern

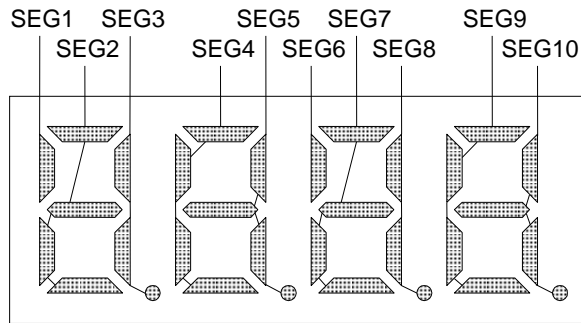


Figure 14. Example SEG Line Pattern

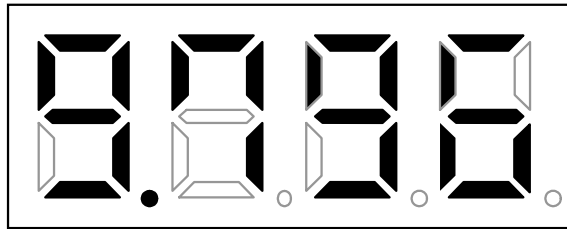


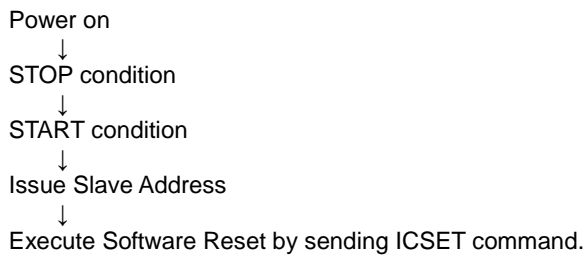
Figure 15. Example Display Pattern

<DDRAM Data mapping in Figure 15 display pattern>

		S	S	S	S	S	S	S	S	S	S	S	S	S	S	S	S	S	S	S	
		E	E	E	E	E	E	E	E	E	E	E	E	E	E	E	E	E	E	E	
		G	G	G	G	G	G	G	G	G	G	G	G	G	G	G	G	G	G	G	
		0	1	2	3	4	5	6	7	8	9	10	11	12	13	14	15	16	17	18	19
COM0	D0	0	1	1	0	1	1	1	1	0	1	0	0	0	0	0	0	0	0	0	0
COM1	D1	0	0	1	1	1	0	0	1	1	1	1	0	0	0	0	0	0	0	0	0
COM2	D2	0	0	0	1	0	1	0	0	1	1	1	0	0	0	0	0	0	0	0	0
COM3	D3	0	0	1	1	0	0	0	1	0	1	0	0	0	0	0	0	0	0	0	0
Address		00h	01h	02h	03h	04h	05h	06h	07h	08h	09h	0Ah	0Bh	0Ch	0Dh	0Eh	0Fh	10h	11h	12h	13h

**Initialize Sequence**

Follow the Power-on sequence below to initialize condition.



After Power-on and before sending initialize sequence, each register value, DDRAM address and DDRAM Data are random.

**Start Sequence**

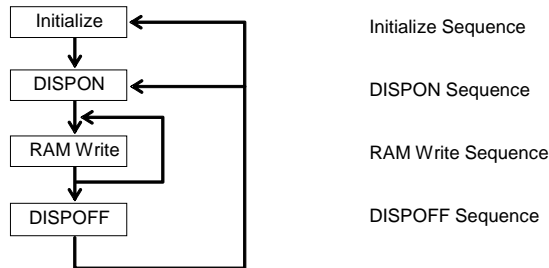
**Start Sequence Example1**

No.	Input	D7	D6	D5	D4	D3	D2	D1	D0	Descriptions
1	Power on									VDD = 0 V→5 V (tr: Min 1ms to Max 500 ms)
	↓									
2	Wait min100µs									Initialize BU91796BMUF-M
	↓									
3	STOP									STOP condition
	↓									
4	START									START condition
	↓									
5	Slave Address	0	1	1	1	1	1	0	0	Issue Slave Address
	↓									
6	ICSET	1	1	1	0	1	0	1	0	Software Reset
	↓									
7	BLKCTL	1	1	1	1	0	*	0	0	Blink off
	↓									
8	DISCTL	1	0	1	0	0	1	0	0	80 Hz, Frame inversion, Power save mode1
	↓									
9	ICSET	1	1	1	0	1	*	0	1	External clock input
	↓									
10	ADSET	0	0	0	0	0	0	0	0	DDRAM address set
	↓									
11	Display Data	*	*	*	*	*	*	*	*	address 00h to 01h
	Display Data	*	*	*	*	*	*	*	*	address 02h to 03h
	⋮									⋮
	Display Data	*	*	*	*	*	*	*	*	address 12h to 13h
	↓									
12	STOP									STOP condition
	↓									
13	START									START condition
	↓									
14	Slave Address	0	1	1	1	1	1	0	0	Issue Slave Address
	↓									
15	MODESET	1	1	0	*	1	0	*	*	Display on
	↓									
16	STOP									STOP condition

(\*: Don't care)

Start Sequence – continued

Start Sequence Example2



BU91796BMUF-M is initialized with Initialize Sequence, starts to display with “DISPON Sequence”, updates Display Data with “RAM Write Sequence” and stops the display with “DISPOFF Sequence”. Execute “DISPON Sequence” in order to restart display.

**Initialize Sequence**

Input	DATA								Description
	D7	D6	D5	D4	D3	D2	D1	D0	
Power on									
Wait 100µs									
STOP									
START									
Slave Address	0	1	1	1	1	1	0	0	-
ICSET	1	1	1	0	1	0	1	0	Execute Software Reset
MODESET	1	1	0	0	0	0	0	0	Display off
ADSET	0	0	0	0	0	0	0	0	RAM address set
Display Data	*	*	*	*	*	*	*	*	Display Data
...									
STOP									

**DISPON Sequence**

Input	DATA								Description
	D7	D6	D5	D4	D3	D2	D1	D0	
START									
Slave Address	0	1	1	1	1	1	0	0	-
ICSET	1	1	1	0	1	0	0	0	Execute internal OSC mode
DISCTL	1	0	1	1	1	1	1	1	Set Display Control
BLKCTL	1	1	1	1	0	0	0	0	Set BLKCTL
APCTL	1	1	1	1	1	1	0	0	Set APCTL
MODESET	1	1	0	0	1	0	0	0	Display on
STOP									

**RAM Write Sequence**

Input	DATA								Description
	D7	D6	D5	D4	D3	D2	D1	D0	
START									
Slave Address	0	1	1	1	1	1	0	0	-
ICSET	1	1	1	0	1	0	0	0	Execute internal OSC mode
DISCTL	1	0	1	1	1	1	1	1	Set Display Control
BLKCTL	1	1	1	1	0	0	0	0	Set BLKCTL
APCTL	1	1	1	1	1	1	0	0	Set APCTL
MODESET	1	1	0	0	1	0	0	0	Display on
ADSET	0	0	0	0	0	0	0	0	RAM address set
Display Data	*	*	*	*	*	*	*	*	Display Data
...									
STOP									

**DISPOFF Sequence**

Input	DATA								Description
	D7	D6	D5	D4	D3	D2	D1	D0	
START									
Slave Address	0	1	1	1	1	1	0	0	-
ICSET	1	1	1	0	1	0	0	0	Execute internal OSC mode
MODESET	1	1	0	0	0	0	0	0	Display off
STOP									

Abnormal operation may occur in BU91796BMUF-M due to the effect of noise or other external factor. To avoid this phenomenon, it is highly recommended to input command according to sequence described above during initialization, display on/off and refresh of RAM data.



**Cautions in Power ON/OFF**

To prevent incorrect display, malfunction and abnormal current, follow Power On/Off sequence shown in waveform below.

VDD must be turned on before VLCD during power up sequence.

VDD must be turned off after VLCD during power down sequence.

Set  $VDD - 2.4\text{ V} \geq VLCD$ ,  $t1 > 0\text{ ns}$  and  $t2 > 0\text{ ns}$ .

Do not send the data while power supply is rising up or falling down to prevent from the occurrence of disturbances on transmission and reception.

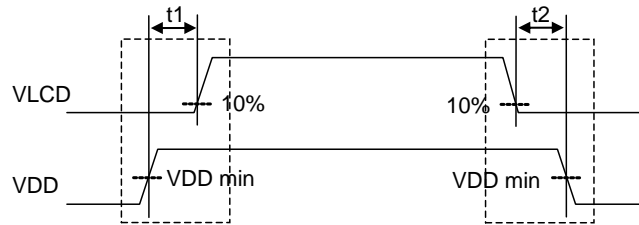


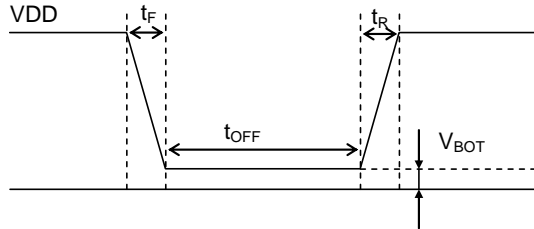
Figure 16. Power ON/OFF Waveform

**Caution in POR Circuit Use**

BU91796BMUF-M has "POR" (Power-On Reset) circuit and Software Reset function. Keep the following recommended Power-On conditions in order to power up properly.

Set power up conditions to meet the recommended  $t_R$ ,  $t_F$ ,  $t_{OFF}$ , and  $V_{BOT}$  specification below in order to ensure POR operation.

Set pin TEST2 = "VSS" to enable POR circuit.



Recommended condition of  $t_R$ ,  $t_F$ ,  $t_{OFF}$ ,  $V_{BOT}$  ( $T_a = +25\text{ }^\circ\text{C}$ )

$t_R$ (Note 1)	$t_F$ (Note 1)	$t_{OFF}$ (Note 1)	$V_{BOT}$ (Note 1)
1 ms to 500 ms	1 ms to 500 ms	Min 20 ms	Less than 0.1 V

(Note 1) This function is guaranteed by design, not tested in production process.

Figure 17. Power ON/OFF Waveform

When it is difficult to keep above conditions, it is possibility to cause unintentional display due to no IC initialization. Execute the IC initialization as quickly as possible after Power-On to reduce such an affect.

See the IC initialization flow as below.

Setting TEST2 = "VDD" disables the POR circuit, in such case, execute the following sequence.

Note however that it cannot accept command while power supply is OFF.

Note also that software reset is not a complete alternative to POR function when power supply is OFF.

1. Generate STOP Condition

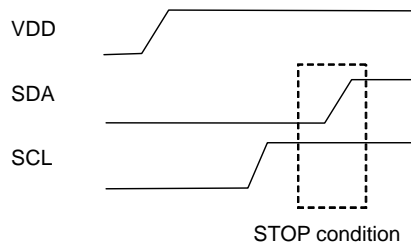


Figure 18. STOP Condition

2. Generate START Condition.

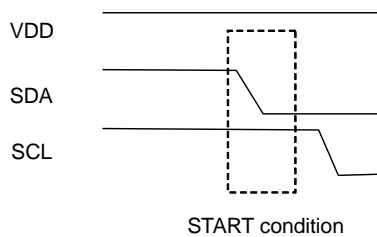


Figure 19. START Condition

3. Issue Slave Address

4. Execute Software Reset (ICSET) Command

**Display off Operation in External Clock Mode**

After receiving MODESET (Display off), BU91796BMUF-M enters to DISPOFF sequence synchronized with frame then Segment and Common ports output VSS level after 1frame of OFF data write.

Therefore, in external clock mode, it is necessary to input the external clock based on each frame frequency setting after sending MODESET (Display off).

For the required number of clock, refer to Power save mode FR of DISCTL.

Input the external clock as below.

DISCTL 80 Hz setting (Frame frequency [Hz] = external clock [Hz] / 512), it needs 1024 clk or more.

DISCTL 71 Hz setting (Frame frequency [Hz] = external clock [Hz] / 576), it needs 1152 clk or more.

DISCTL 64 Hz setting (Frame frequency [Hz] = external clock [Hz] / 648), it needs 1296 clk or more.

DISCTL 53 Hz setting (Frame frequency [Hz] = external clock [Hz] / 768), it needs 1536 clk or more.

Refer to the timing chart below.

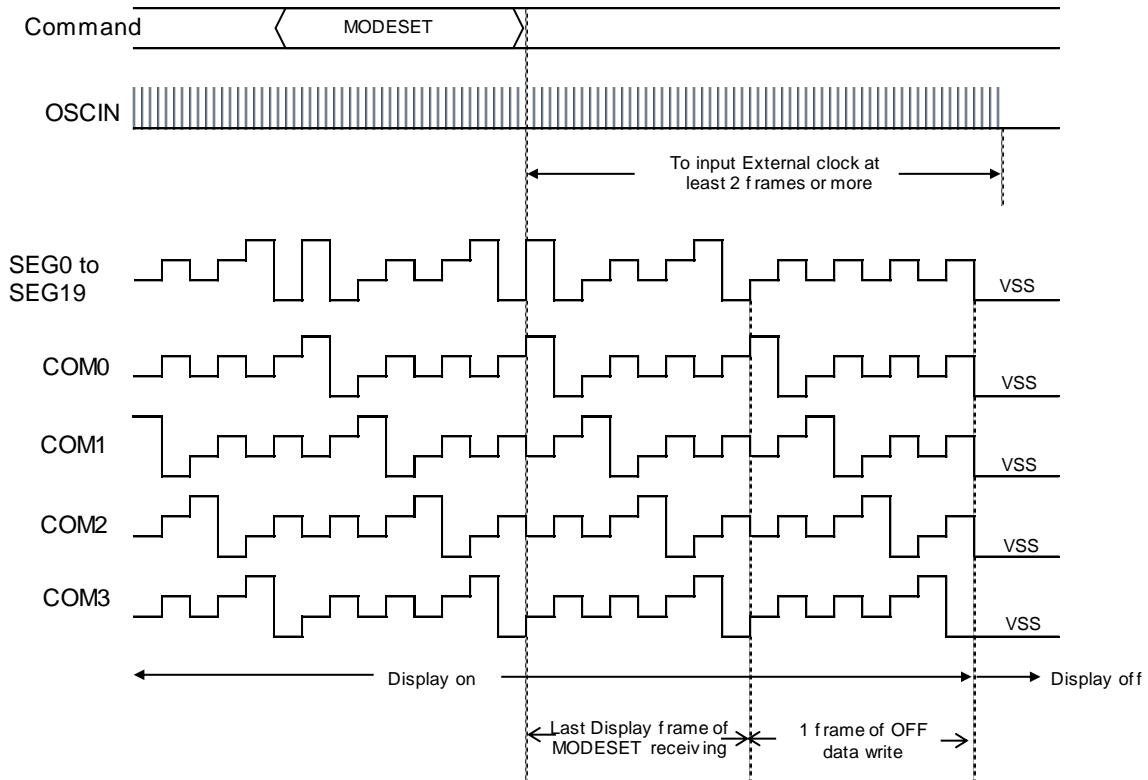


Figure 20. External Clock Stop Timing

**Note on the Multiple Devices be Connected to 2 Wire Serial Interface**

Do not access the other device without power supply (VDD) to the BU91796BMUF-M.

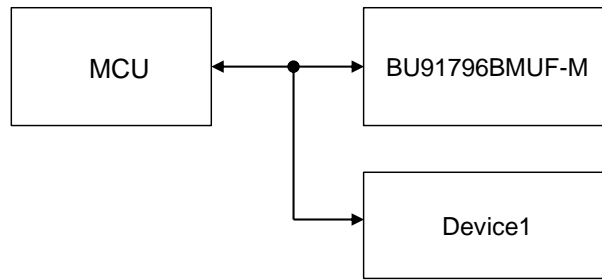


Figure 21. Example of BUS connection

For slew rate control, a capacitor is connected between gate and drain of a NMOS transistor for SDA output (Refer to “Figure 22”). The gate is in a high-impedance state when the power supply (VDD) is not supplied. In this condition, the gate voltage (Vg) is pulled up by the current flow through the capacitance as a result of the SDA signal's transition from LOW to HIGH. The NMOS output transistor turns on and draws some current (Ids) from the SDA pin if the gate voltage (Vg) is higher than the threshold voltage (Vth).

An external resistor (R) is connected between the power line and SDA line to keep the SDA line as logic HIGH. But the line cannot be kept as logic HIGH if the voltage drop (R\*Ids) is large.

Apply power supply (VDD) to BU91796BMUF-M when the multiple devices are on the same bus.

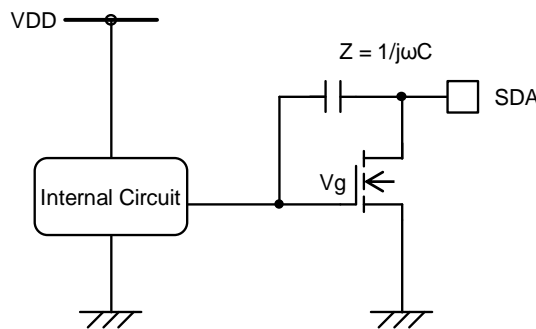


Figure 22. SDA output cell structure

**Note in Case that the SDA is stuck at LOW**

Normally, BU91796BMUF-M SDA status is controlled by MCU, so it set SDA to VSS level only in ACK timing and in output “0” case. If the data line (SDA) is stuck at LOW by BU91796BMUF-M unexpectedly, MCU should send one dummy byte with START and STOP Conditions as shown in Figure 23 (Set SDA level High). BU91796BMUF-M will release from SDA stuck condition by this sequence.

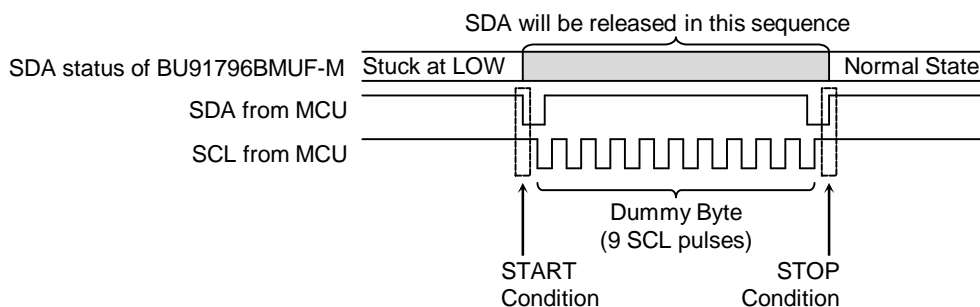


Figure 23. Recovery Sequence from SDA Stuck

## Operational Notes

### 1. Reverse Connection of Power Supply

Connecting the power supply in reverse polarity can damage the IC. Take precautions against reverse polarity when connecting the power supply, such as mounting an external diode between the power supply and the IC's power supply pins.

### 2. Power Supply Lines

Design the PCB layout pattern to provide low impedance supply lines. Separate the ground and supply lines of the digital and analog blocks to prevent noise in the ground and supply lines of the digital block from affecting the analog block. Furthermore, connect a capacitor to ground at all power supply pins. Consider the effect of temperature and aging on the capacitance value when using electrolytic capacitors.

### 3. Ground Voltage

Ensure that no pins are at a voltage below that of the ground pin at any time, even during transient condition.

### 4. Ground Wiring Pattern

When using both small-signal and large-current ground traces, the two ground traces should be routed separately but connected to a single ground at the reference point of the application board to avoid fluctuations in the small-signal ground caused by large currents. Also ensure that the ground traces of external components do not cause variations on the ground voltage. The ground lines must be as short and thick as possible to reduce line impedance.

### 5. Recommended Operating Conditions

The function and operation of the IC are guaranteed within the range specified by the recommended operating conditions. The characteristic values are guaranteed only under the conditions of each item specified by the electrical characteristics.

### 6. Inrush Current

When power is first supplied to the IC, it is possible that the internal logic may be unstable and inrush current may flow instantaneously due to the internal powering sequence and delays, especially if the IC has more than one power supply. Therefore, give special consideration to power coupling capacitance, power wiring, width of ground wiring, and routing of connections.

### 7. Testing on Application Boards

When testing the IC on an application board, connecting a capacitor directly to a low-impedance output pin may subject the IC to stress. Always discharge capacitors completely after each process or step. The IC's power supply should always be turned off completely before connecting or removing it from the test setup during the inspection process. To prevent damage from static discharge, ground the IC during assembly and use similar precautions during transport and storage.

### 8. Inter-pin Short and Mounting Errors

Ensure that the direction and position are correct when mounting the IC on the PCB. Incorrect mounting may result in damaging the IC. Avoid nearby pins being shorted to each other especially to ground, power supply and output pin. Inter-pin shorts could be due to many reasons such as metal particles, water droplets (in very humid environment) and unintentional solder bridge deposited in between pins during assembly to name a few.

### 9. Unused Input Pins

Input pins of an IC are often connected to the gate of a MOS transistor. The gate has extremely high impedance and extremely low capacitance. If left unconnected, the electric field from the outside can easily charge it. The small charge acquired in this way is enough to produce a significant effect on the conduction through the transistor and cause unexpected operation of the IC. So unless otherwise specified, unused input pins should be connected to the power supply or ground line.

### 10. Regarding the Input Pin of the IC

In the construction of this IC, P-N junctions are inevitably formed creating parasitic diodes or transistors. The operation of these parasitic elements can result in mutual interference among circuits, operational faults, or physical damage. Therefore, conditions which cause these parasitic elements to operate, such as applying a voltage to an input pin lower than the ground voltage should be avoided. Furthermore, do not apply a voltage to the input pins when no power supply voltage is applied to the IC. Even if the power supply voltage is applied, make sure that the input pins have voltages within the values specified in the electrical characteristics of this IC.

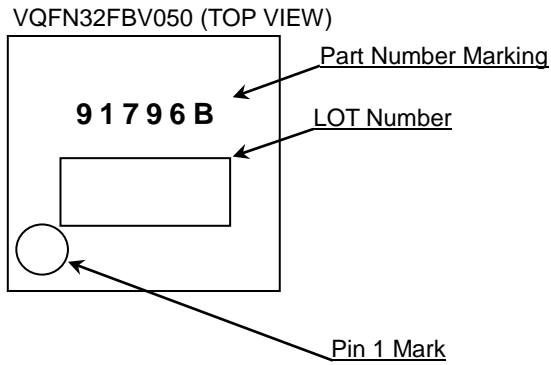
### 11. Ceramic Capacitor

When using a ceramic capacitor, determine a capacitance value considering the change of capacitance with temperature and the decrease in nominal capacitance due to DC bias and others.

Ordering Information

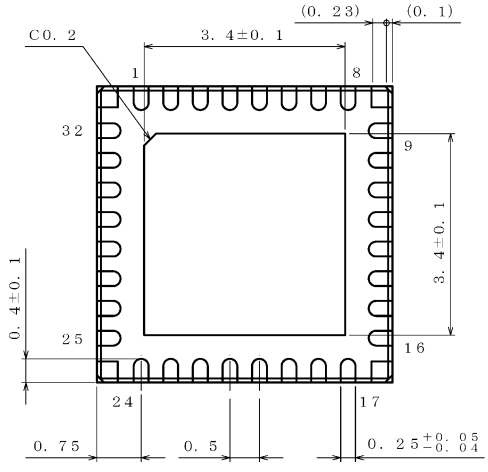
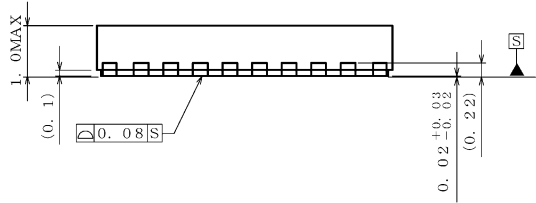
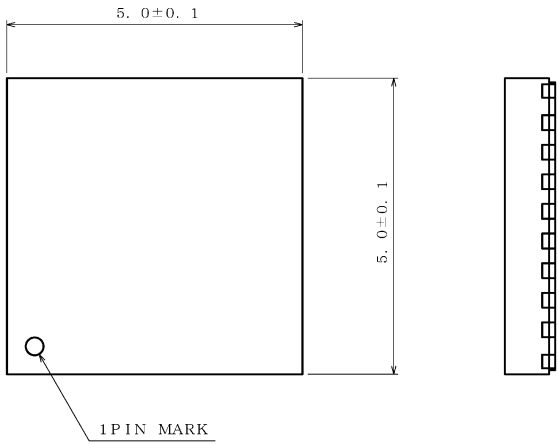
B U 9 1 7 9 6 B M U F	-	M E 2
Part Number	Package MUF: VQFN32FBV050	Product Rank M: for Automotive Packaging and forming specification E2: Embossed tape and reel

Marking Diagram



Physical Dimension and Packing Information

Package Name	VQFN32FBV050
--------------	--------------



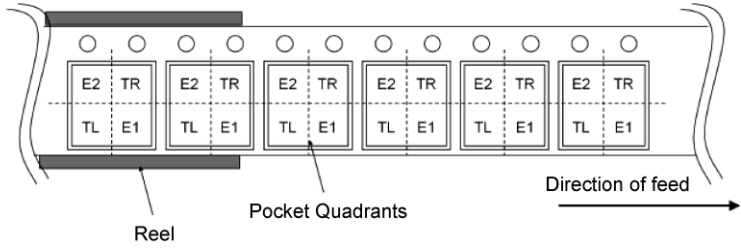
(UNIT : mm)

PKG : VQFN32FBV050  
Drawing No. EX416-5001

NOTE: Dimensions in ( ) for reference only.

< Tape and Reel Information >

Tape	Embossed carrier tape
Quantity	2500pcs
Direction of feed	E2 The direction is the pin 1 of product is at the upper left when you hold reel on the left hand and you pull out the tape on the right hand



Revision History

Date	Revision	Changes
12. Jun. 2019	001	New Release



# Notice

## Precaution on using ROHM Products

1. If you intend to use our Products in devices requiring extremely high reliability (such as medical equipment <sup>(Note 1)</sup>, aircraft/spacecraft, nuclear power controllers, etc.) and whose malfunction or failure may cause loss of human life, bodily injury or serious damage to property ("Specific Applications"), please consult with the ROHM sales representative in advance. Unless otherwise agreed in writing by ROHM in advance, ROHM shall not be in any way responsible or liable for any damages, expenses or losses incurred by you or third parties arising from the use of any ROHM's Products for Specific Applications.

(Note1) Medical Equipment Classification of the Specific Applications

JAPAN	USA	EU	CHINA
CLASS III	CLASS III	CLASS II b	CLASS III
CLASS IV		CLASS III	

2. ROHM designs and manufactures its Products subject to strict quality control system. However, semiconductor products can fail or malfunction at a certain rate. Please be sure to implement, at your own responsibilities, adequate safety measures including but not limited to fail-safe design against the physical injury, damage to any property, which a failure or malfunction of our Products may cause. The following are examples of safety measures:
  - [a] Installation of protection circuits or other protective devices to improve system safety
  - [b] Installation of redundant circuits to reduce the impact of single or multiple circuit failure
3. Our Products are not designed under any special or extraordinary environments or conditions, as exemplified below. Accordingly, ROHM shall not be in any way responsible or liable for any damages, expenses or losses arising from the use of any ROHM's Products under any special or extraordinary environments or conditions. If you intend to use our Products under any special or extraordinary environments or conditions (as exemplified below), your independent verification and confirmation of product performance, reliability, etc. prior to use, must be necessary:
  - [a] Use of our Products in any types of liquid, including water, oils, chemicals, and organic solvents
  - [b] Use of our Products outdoors or in places where the Products are exposed to direct sunlight or dust
  - [c] Use of our Products in places where the Products are exposed to sea wind or corrosive gases, including Cl<sub>2</sub>, H<sub>2</sub>S, NH<sub>3</sub>, SO<sub>2</sub>, and NO<sub>2</sub>
  - [d] Use of our Products in places where the Products are exposed to static electricity or electromagnetic waves
  - [e] Use of our Products in proximity to heat-producing components, plastic cords, or other flammable items
  - [f] Sealing or coating our Products with resin or other coating materials
  - [g] Use of our Products without cleaning residue of flux (Exclude cases where no-clean type fluxes is used. However, recommend sufficiently about the residue.); or Washing our Products by using water or water-soluble cleaning agents for cleaning residue after soldering
  - [h] Use of the Products in places subject to dew condensation
4. The Products are not subject to radiation-proof design.
5. Please verify and confirm characteristics of the final or mounted products in using the Products.
6. In particular, if a transient load (a large amount of load applied in a short period of time, such as pulse, is applied, confirmation of performance characteristics after on-board mounting is strongly recommended. Avoid applying power exceeding normal rated power; exceeding the power rating under steady-state loading condition may negatively affect product performance and reliability.
7. De-rate Power Dissipation depending on ambient temperature. When used in sealed area, confirm that it is the use in the range that does not exceed the maximum junction temperature.
8. Confirm that operation temperature is within the specified range described in the product specification.
9. ROHM shall not be in any way responsible or liable for failure induced under deviant condition from what is defined in this document.

## Precaution for Mounting / Circuit board design

1. When a highly active halogenous (chlorine, bromine, etc.) flux is used, the residue of flux may negatively affect product performance and reliability.
2. In principle, the reflow soldering method must be used on a surface-mount products, the flow soldering method must be used on a through hole mount products. If the flow soldering method is preferred on a surface-mount products, please consult with the ROHM representative in advance.

For details, please refer to ROHM Mounting specification

**Precautions Regarding Application Examples and External Circuits**

1. If change is made to the constant of an external circuit, please allow a sufficient margin considering variations of the characteristics of the Products and external components, including transient characteristics, as well as static characteristics.
2. You agree that application notes, reference designs, and associated data and information contained in this document are presented only as guidance for Products use. Therefore, in case you use such information, you are solely responsible for it and you must exercise your own independent verification and judgment in the use of such information contained in this document. ROHM shall not be in any way responsible or liable for any damages, expenses or losses incurred by you or third parties arising from the use of such information.

**Precaution for Electrostatic**

This Product is electrostatic sensitive product, which may be damaged due to electrostatic discharge. Please take proper caution in your manufacturing process and storage so that voltage exceeding the Products maximum rating will not be applied to Products. Please take special care under dry condition (e.g. Grounding of human body / equipment / solder iron, isolation from charged objects, setting of Ionizer, friction prevention and temperature / humidity control).

**Precaution for Storage / Transportation**

1. Product performance and soldered connections may deteriorate if the Products are stored in the places where:
  - [a] the Products are exposed to sea winds or corrosive gases, including Cl<sub>2</sub>, H<sub>2</sub>S, NH<sub>3</sub>, SO<sub>2</sub>, and NO<sub>2</sub>
  - [b] the temperature or humidity exceeds those recommended by ROHM
  - [c] the Products are exposed to direct sunshine or condensation
  - [d] the Products are exposed to high Electrostatic
2. Even under ROHM recommended storage condition, solderability of products out of recommended storage time period may be degraded. It is strongly recommended to confirm solderability before using Products of which storage time is exceeding the recommended storage time period.
3. Store / transport cartons in the correct direction, which is indicated on a carton with a symbol. Otherwise bent leads may occur due to excessive stress applied when dropping of a carton.
4. Use Products within the specified time after opening a humidity barrier bag. Baking is required before using Products of which storage time is exceeding the recommended storage time period.

**Precaution for Product Label**

A two-dimensional barcode printed on ROHM Products label is for ROHM's internal use only.

**Precaution for Disposition**

When disposing Products please dispose them properly using an authorized industry waste company.

**Precaution for Foreign Exchange and Foreign Trade act**

Since concerned goods might be fallen under listed items of export control prescribed by Foreign exchange and Foreign trade act, please consult with ROHM in case of export.

**Precaution Regarding Intellectual Property Rights**

1. All information and data including but not limited to application example contained in this document is for reference only. ROHM does not warrant that foregoing information or data will not infringe any intellectual property rights or any other rights of any third party regarding such information or data.
2. ROHM shall not have any obligations where the claims, actions or demands arising from the combination of the Products with other articles such as components, circuits, systems or external equipment (including software).
3. No license, expressly or implied, is granted hereby under any intellectual property rights or other rights of ROHM or any third parties with respect to the Products or the information contained in this document. Provided, however, that ROHM will not assert its intellectual property rights or other rights against you or your customers to the extent necessary to manufacture or sell products containing the Products, subject to the terms and conditions herein.

**Other Precaution**

1. This document may not be reprinted or reproduced, in whole or in part, without prior written consent of ROHM.
2. The Products may not be disassembled, converted, modified, reproduced or otherwise changed without prior written consent of ROHM.
3. In no event shall you use in any way whatsoever the Products and the related technical information contained in the Products or this document for any military purposes, including but not limited to, the development of mass-destruction weapons.
4. The proper names of companies or products described in this document are trademarks or registered trademarks of ROHM, its affiliated companies or third parties.

**General Precaution**

1. Before you use our Products, you are requested to carefully read this document and fully understand its contents. ROHM shall not be in any way responsible or liable for failure, malfunction or accident arising from the use of any ROHM's Products against warning, caution or note contained in this document.
2. All information contained in this document is current as of the issuing date and subject to change without any prior notice. Before purchasing or using ROHM's Products, please confirm the latest information with a ROHM sales representative.
3. The information contained in this document is provided on an "as is" basis and ROHM does not warrant that all information contained in this document is accurate and/or error-free. ROHM shall not be in any way responsible or liable for any damages, expenses or losses incurred by you or third parties resulting from inaccuracy or errors of or concerning such information.