

**1.1 Scope.**

This specification covers the detail requirements for a monolithic CMOS 12-bit digital-to-analog converter. The D/A converters provide 4-quadrant multiplication capabilities with separate reference inputs and feedback resistors. Each D/A converter is preceded by a 12-bit data latch for direct interfacing to 12- and 16-bit microprocessor.

**1.2 Part Number.**

The complete part number per Table 1 of this specification is as follows:

Device	Part Number <sup>1</sup>
-1	AD7547S(X)/883B
-2	AD7547T(X)/883B
-3	AD7547U(X)/883B

**NOTE**

<sup>1</sup>To complete the part number substitute the package identifier as shown in paragraph 1.2.3.

**1.2.3 Case Outline.**

See Appendix 1 of General Specification ADI-M-1000: package outline:

(X)	Package	Description
Q	Q-24	24-Pin Cerdip, 0.3" Width
E	E-28A	28-Contact LCC

**1.3 Absolute Maximum Ratings.** (T<sub>A</sub> = 25°C unless otherwise noted, Pin numbers refer to DIP package)

V <sub>DD</sub> (Pin 21) to DGND	-0.3V, +17V
V <sub>REFA</sub> , V <sub>REFB</sub> (Pins 4, 22) to AGND	±25V
V <sub>RFBA</sub> , V <sub>RFBB</sub> (Pins 3, 23) to AGND	±25V
Digital Input Voltage (Pins 5-20) to DGND	-0.3V, V <sub>DD</sub> + 0.3V
V <sub>PIN2</sub> , V <sub>PIN24</sub> to DGND	-0.3V, V <sub>DD</sub> + 0.3V
AGND to DGND	-0.3V, V <sub>DD</sub> + 0.3V
Power Dissipation	
Up to +75°C	450mW
Derates above +75°C	6mW/°C
Operating Temperature Range	-55°C to +125°C
Lead Temperature (Soldering 10sec)	+300°C

**1.5 Thermal Characteristics.**

Thermal Resistance  $\theta_{JC}$  = 35°C/W for Q-24 and E-28A

$\theta_{JA}$  = 120°C/W for Q-24 and E-28A

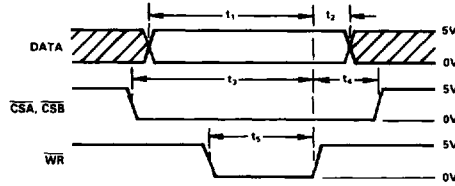
# AD7547—SPECIFICATIONS

Table 1.

Test	Symbol	Device	Design Limit $T_{min}$ , $T_{max}$	Sub Group 1	Sub Group 2, 3	Sub Group 4	Test Condition <sup>1</sup> /Comments	Units
Resolution	RES	-1, 2, 3	12					Bits
Relative Accuracy	RA	-1	1	1	1		$V_{DD} = 10.8V$ and $16.5V$	± LSB max
		-2, 3	1/2	1	1/2	1/2		
Differential Nonlinearity	DNL	-1, 2, 3	1	1	1		All Grades Guaranteed Monotonic to 12 Bits from $T_{min}$ to $T_{max}$ . $V_{DD} = 10.8V$ and $16.5V$ .	± LSB max
Gain Error	$A_E$	-1	6	6	6		Measured Using $R_{FA}$ and $R_{FB}$ . Both DAC Registers Loaded with All 1s. $V_{DD} = 10.8V$ .	± LSB max
		-2	3	6	3	3		
		-3	2	6	2	2		
Gain Temperature Coefficient	$dA_E/dT$	-1, 2, 3	5				Typical Value is 1ppm/°C	± ppm/°C max
Output Leakage Current (Pin 2)	$I_{OUTA}$	-1, 2, 3	250	10	250		DACA Register Loaded with All 0s; $V_{DD} = 16.5V$	nA max
Output Leakage Current (Pin 24)	$I_{OUTB}$	-1, 2, 3	250	10	250		DAC B Register Loaded with All 0s; $V_{DD} = 16.5V$	nA max
Reference Input Resistance (Pin 4, Pin 22)	$R_I$	-1, 2, 3	9	9	9		Typical Input Resistance is 14k $V_{DD} = 10.8V$	k $\Omega$ min
			20	20	20			k $\Omega$ max
Reference Input Resistance Match $V_{REFA}$ , $V_{REFB}$	$RM_{IN}$	-1, 2, 3	3	3	3		Typically ± 0.5% $V_{DD} = 10.8V$	± % max
			-3	1	3	1		
Digital Input High Voltage	$V_{IH}$	-1, 2, 3	2.4	2.4	2.4		$V_{DD} = 10.8V$ and $16.5V$	V min
Digital Input Low Voltage	$V_{IL}$	-1, 2, 3	0.8	0.8	0.8		$V_{DD} = 10.8V$ and $16.5V$	V max
Digital Input Current	$I_{IN}$	-1, 2, 3	10	1	10		$V_{IN} = V_{DD} = 16.5V$	$\mu A$ max
Digital Input Capacitance	$C_I$	-1, 2, 3	10					pF max
Power Supply Voltage	$V_{DD}$	-1, 2, 3	10.8					V min
			16.5					V max
Power Supply Current	$I_{DD}$	-1, 2, 3	2	2		$V_{DD} = 16.5V$	mA max	
Output Current Settling Time @ 25°C	$t_{SL}$	-1, 2, 3	1.5				To 0.01% of Full-Scale Range. $I_{OUT}$ Load = 100. $C_{EXT} = 13pF$ . DAC Output Measured from Rising Edge of WR. Typical Value of Settling Time is 0.8 $\mu s$ .	$\mu s$ max
AC Feedthrough $V_{REFA}$ to $I_{OUTA}$ and $V_{REFB}$ to $I_{OUTB}$	FT	-1, 2, 3	65				$V_{REFA}$ , $V_{REFB} = 20V$ p-p 10kHz Sine-Wave DAC Register Loaded with All 0s.	- dB max
Power Supply Rejection Ratio ( $\Delta Gain/\Delta V_{DD}$ )	PSRR	-1, 2, 3	0.02	0.01	0.02		$\Delta V_{DD} = V_{DD} max - V_{DD} min$ ; $V_{DD} = 10.8V$	± %/ % max
Output Capacitance for DACA and DAC B	$C_{OUT}$	-1, 2, 3	70				DACA, DACB Loaded with All 0s.	pF max
			140					DACA, DACB Loaded with All 1s.
Data Setup Time, $t_1$	$t_{DS}$	-1, 2, 3	80					ns min
Data Hold Time, $t_2$	$t_{DH}$	-1, 2, 3	25					ns min
Chip Select to Write Setup Time, $t_3$	$t_{CWS}$	-1, 2, 3	100					ns min
Chip Select to Write Hold Time, $t_4$	$t_{CWH}$	-1, 2, 3	0					ns min
Write Pulse Width, $t_5$	$t_{WR}$	-1, 2, 3	100					ns min

NOTES

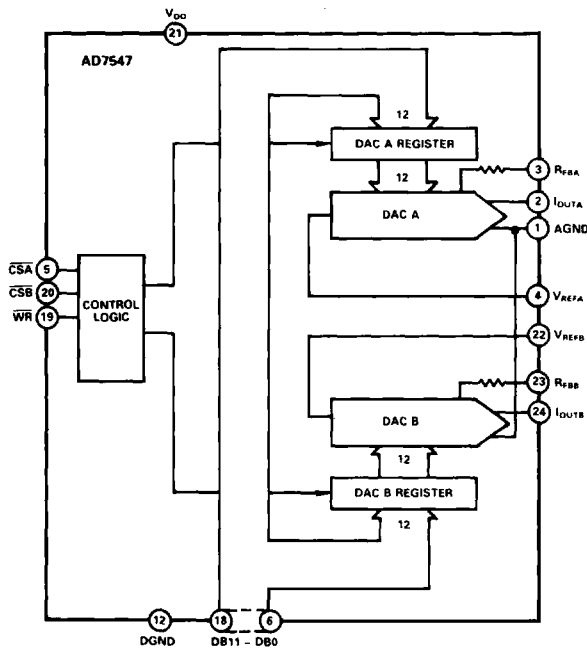
<sup>1</sup> $V_{DD} = +12V$  to  $+15V \pm 10\%$  except where otherwise stated;  $V_{REFA} = V_{REFB} = 10V$ ;  $V_{PIN2} = V_{PIN24} = V_{PIN1} = 0V$ . Output amplifiers are AD644. Pin numbers refer to DIP Package.



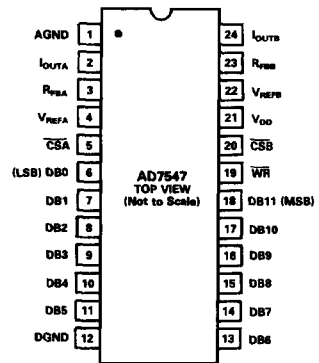
- NOTES
1. ALL INPUT SIGNAL RISE AND FALL TIMES MEASURED FROM 10% TO 90% OF +5V.  $t_1 = t_2 = 20\text{ns}$ .
  2. TIMING MEASUREMENT REFERENCE LEVEL IS  $\frac{V_{OH} + V_{OL}}{2}$ .

Figure 1. Timing Diagram for AD7547

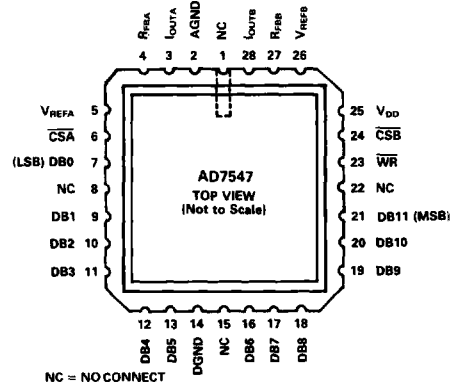
### 3.2.1 Functional Block Diagram and Terminal Assignments.



#### Q Package (DIP)



#### E Package (LCC)



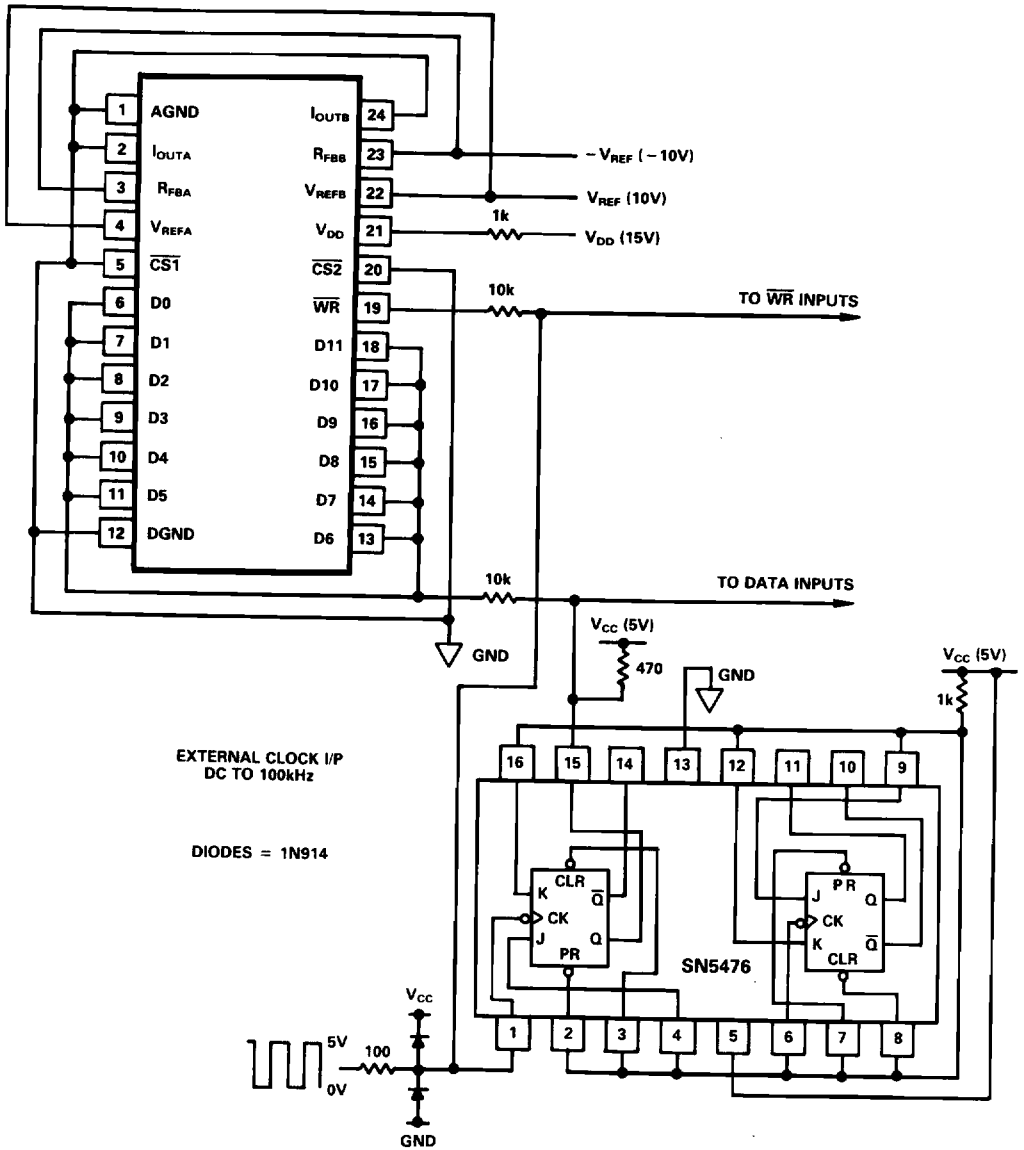
### 3.2.4 Microcircuit Technology Group.

This microcircuit is covered by technology group (80).

# AD7547

## 4.2.1 Life Test/Burn-In Circuit.

Steady state life test is per MIL-STD-883 Method 1005. Burn-in is per MIL-STD-883 Method 1015 test condition (B).



## 5.0 Unipolar Binary Operation (2-Quadrant Multiplication)

Figure 2 shows the circuit diagram for unipolar binary operation. With an ac input, the circuit performs 2-quadrant multiplication. The code table for Figure 2 is given in Table 2.

Operational amplifiers A1 and A2 can be in a single package (AD644) or separate packages (AD544, AD OP-27). Capacitors C1 and C2 provide phase compensation to help prevent overshoot and ringing when high-speed op amps are used.

For zero offset adjustment, the appropriate DAC register is loaded with all 0s and amplifier offset adjusted so that  $V_{OUTA}$  or  $V_{OUTB}$  is 0V. Full-scale trimming is accomplished by loading the DAC register with all 1s and adjusting R1 (R3) so that  $V_{OUTA}$  ( $V_{OUTB}$ ) =  $-V_{IN}$  (4095/4096). For high temperature operation, resistors and potentiometers should have a low Temperature Coefficient. In many applications, because of the excellent Gain T.C. and Gain Error specifications of the AD7547, Gain Error trimming is not necessary. In fixed reference applications, full scale can also be adjusted by omitting R1, R2, R3, R4 and trimming the reference voltage magnitude.

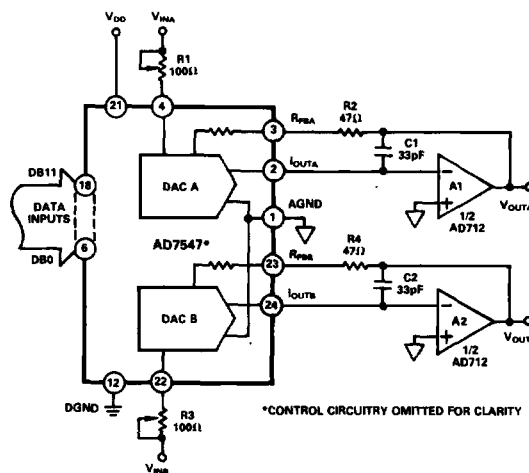


Figure 2. AD7547 Unipolar Binary Operation

Table 2. Unipolar Binary Code Table for Circuit of Figure 2

Binary Number in DAC Register MSB    LSB	Analog Output, $V_{OUTA}$ or $V_{OUTB}$
1111 1111 1111	$-V_{IN} \left( \frac{4095}{4096} \right)$
1000 0000 0000	$-V_{IN} \left( \frac{2048}{4096} \right) = -1/2 V_{IN}$
0000 0000 0001	$-V_{IN} \left( \frac{1}{4096} \right)$
0000 0000 0000	0V

# AD7547

## 6.0 Bipolar Operation (4-Quadrant Multiplication)

The recommended circuit diagram for bipolar operation is shown in Figure 3. Offset binary coding is used.

With the appropriate DAC register loaded to 1000 0000 0000, adjust R1 (R3) so that  $V_{OUTA}$  ( $V_{OUTB}$ ) = 0V. Alternatively, R1, R2 (R3, R4) may be omitted and the ratios of R6, R7 (R9, 10) varied for  $V_{OUTA}$  ( $V_{OUTB}$ ) = 0V. Full-scale trimming can be accomplished by adjusting the amplitude of  $V_{IN}$  or by varying the value of R5 (R8).

If R1, R2 (R3, R4) are not used, then resistors R5, R6, R7 (R8, R9, R10) should be ratio matched to 0.01% to ensure gain error performance to the data sheet specification. When operating over a wide temperature range, it is important that the resistors be of the same type so that their temperature coefficients match.

The code table for Figure 3 is given in Table 3.

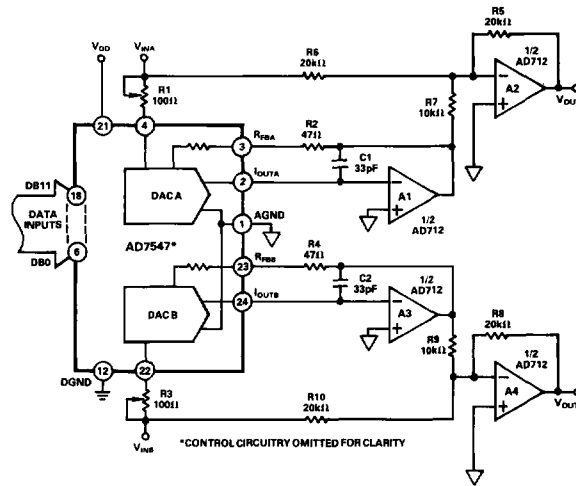


Figure 3. Bipolar Operation (Offset Binary Coding)

Table 3. Bipolar Code Table for Offset Binary Circuit of Figure 3.

Binary Number in DAC Register MSB      LSB	Analog Output, $V_{OUTA}$ or $V_{OUTB}$
1111 1111 1111	$+ V_{IN} \left( \frac{2047}{2048} \right)$
1000 0000 0001	$+ V_{IN} \left( \frac{1}{2048} \right)$
1000 0000 0000	0V
0111 1111 1111	$- V_{IN} \left( \frac{1}{2048} \right)$
0000 0000 0000	$- V_{IN} \left( \frac{2048}{2048} \right) = -V_{IN}$