

5

4

3

2

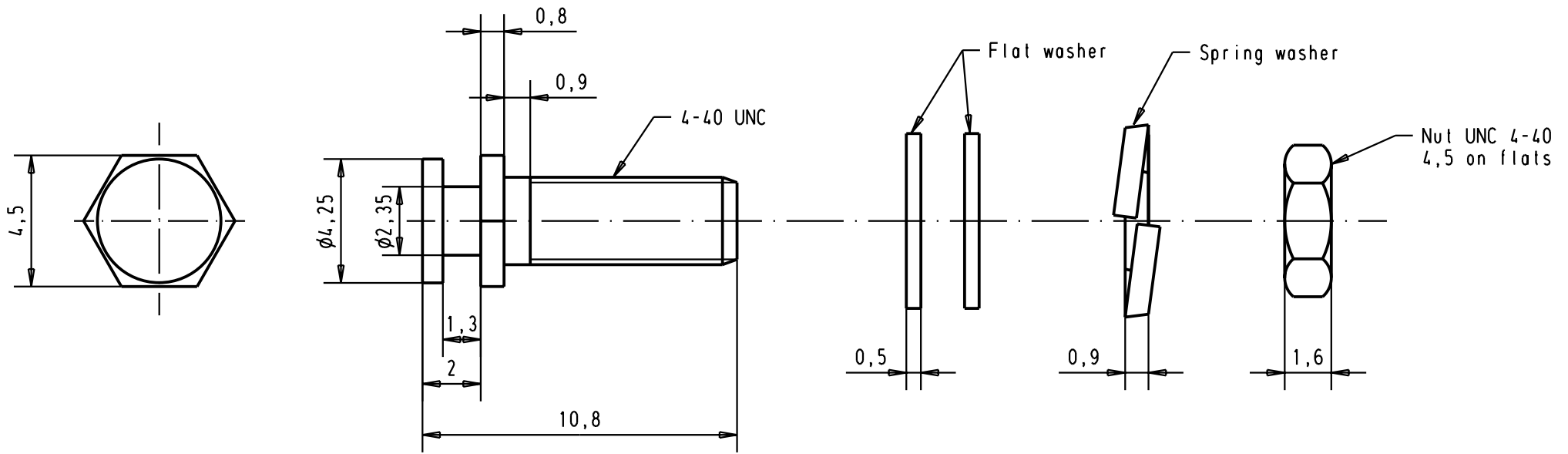
1



D

C

B

A



| | | | | | | | | | |
|-------|-----------|------|-------------------------------|---------|----------|---|---|--------------------------|-------------------|
| | | | | | |  All Dim. in mm Orig. Size DIN A 4 | D-Sub, Locking bolt Tinned | Maßstab/ Scale 5:1 | |
| | | | | Detail. | 12-07-95 | | | | MF |
| | | | | Insp. | | | | | |
| 29760 | 28-MAR-02 | CV | | Stand. | | | | | |
| 16443 | 26-07-95 | ST | HARTING EURL F-95972 Paris | | | |  | TB 09670019973 | Blatt/ Page 1/ |
| 16441 | 12-07-95 | MF | | | | | | | |
| Mod. | Dat. | Name | | | | | | | |
| | | | | | | | Sub. | | |