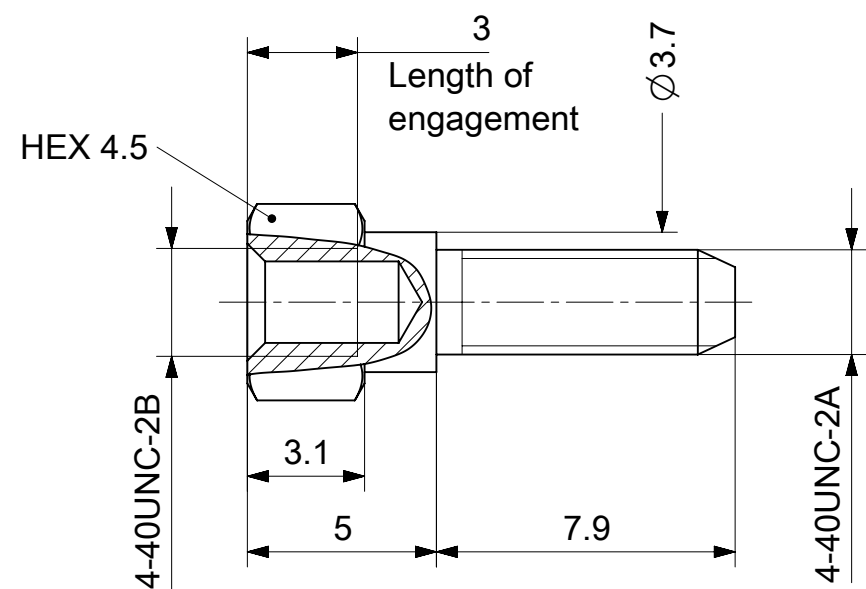


2:1



RoHS compliant
by exemption

1731121097	F62M093S245+S	Steel	Tin plated	1	-	-	-
1731121163	F-GSCH1/5-K1186SSN			1	-	-	-
1731120658	F-GSCH1/5-K1186SN			1	-	-	-
Material Number	FCT Part Number	Material	Surface	Screw (pc.)	Washer (pc.)	Spring washer (pc.)	Nut (pc.)

UNLESS OTHERWISE SPECIFIED DIMENSIONS FOR REFERENCE ONLY REPLACEMENT FOR DOCUMENT NUMBER: F62M093_D

Generally twice a material number respectively FCT part number is needed per connector.

Packaging specification: 1731120003-PK

FUNCTIONAL SYMBOLS $\frac{E}{A} = 0$ $\frac{E}{E} = 0$ $\frac{E}{P} = 0$ DIVISIONAL SYMBOLS	THIS DRAWING CONTAINS INFORMATION THAT IS PROPRIETARY TO MOLEX ELECTRONIC TECHNOLOGIES, LLC AND SHOULD NOT BE USED WITHOUT WRITTEN PERMISSION		CURRENT REV DESC:				
	DIMENSION UNITS	SCALE	EC NO: 685906				
	mm	5:1	DRWN: GOOLAM 2021/09/01		PRODUCT CUSTOMER DRAWING		
	GENERAL TOLERANCES (UNLESS SPECIFIED)		CHK'D: MTEUBEL 2021/11/22				
ANGULAR TOL ± °		APPR: MTEUBEL 2021/11/22		MATERIAL NUMBER: SEE TABLE CUSTOMER: GENERAL MARKET SHEET NUMBER: 1 OF 1			
4 PLACES ±		INITIAL REVISION:					DRAFT WHERE APPLICABLE MUST REMAIN WITHIN DIMENSIONS
3 PLACES ±		DRWN: GOOLAM 2021/09/01		FIRST ANGLE PROJECTION			
2 PLACES ±		APPR: MTEUBEL 2021/11/22					DRAWING: A4-SIZE SERIES: 173112
1 PLACE ±		DRWN: GOOLAM 2021/09/01		DRAFT WHERE APPLICABLE MUST REMAIN WITHIN DIMENSIONS			
0 PLACES ±		APPR: MTEUBEL 2021/11/22					MATERIAL NUMBER: SEE TABLE CUSTOMER: GENERAL MARKET SHEET NUMBER: 1 OF 1