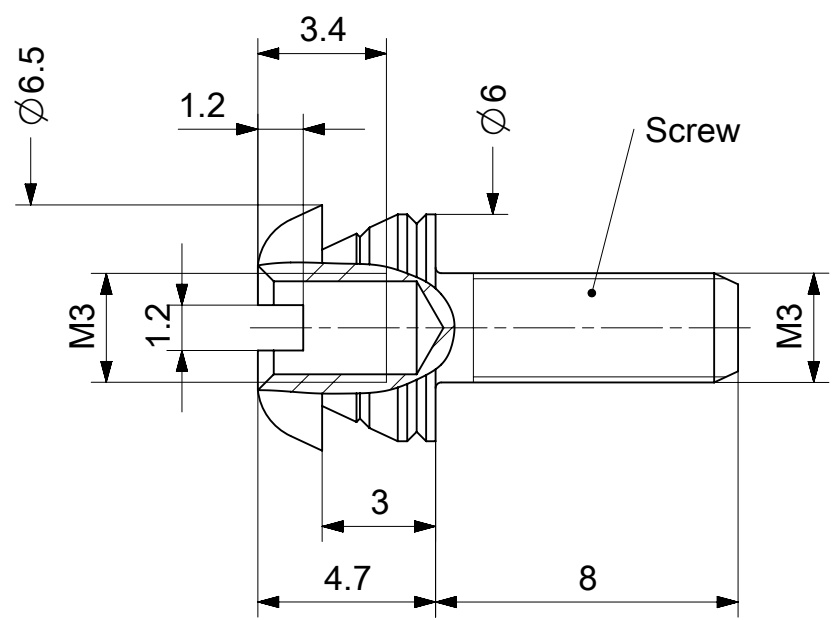


2:1



RoHS compliant  
by exemption

1731121791	F62M114S245-1608+S	Steel	Tin plated	1	-	-	-
1731120433	F62M114S245+S	Steel	Tin plated	1	-	-	-
Material Number	FCT Part Number	Material	Surface	Screw (pc.)	Washer (pc.)	Spring washer (pc.)	Nut (pc.)

UNLESS OTHERWISE SPECIFIED DIMENSIONS FOR REFERENCE ONLY      REPLACEMENT FOR DOCUMENT NUMBER: F62M114\_D

FUNCTIONAL SYMBOLS	THIS DRAWING CONTAINS INFORMATION THAT IS PROPRIETARY TO MOLEX ELECTRONIC TECHNOLOGIES, LLC AND SHOULD NOT BE USED WITHOUT WRITTEN PERMISSION										
	DIMENSION UNITS	SCALE	CURRENT REV DESC:				<p>FCT LATCH SCREW M3/M3 FOR LOCKING HOOK FRH1/3</p> <p>PRODUCT CUSTOMER DRAWING</p>				
$\frac{F}{A} = 0$	mm	5:1	EC NO: 680877								
$\frac{F}{E} = 0$	GENERAL TOLERANCES (UNLESS SPECIFIED)		DRWN: SUGEEB 2021/09/29								
$\frac{F}{P} = 0$	ANGULAR TOL ± °		CHK'D: MTEUBEL 2021/10/12								
DIVISIONAL SYMBOLS	4 PLACES ±		APPR: MTEUBEL 2021/10/12								
	3 PLACES ±		INITIAL REVISION:								
	2 PLACES ±		DRWN: SUGEEB 2021/09/29								
	1 PLACE ±		APPR: MTEUBEL 2021/10/12								
0 PLACES ±		DRAFT WHERE APPLICABLE MUST REMAIN WITHIN DIMENSIONS		FIRST ANGLE PROJECTION	DRAWING	SERIES	MATERIAL NUMBER	CUSTOMER	DOC TYPE	DOC PART	REVISION
					A4-SIZE	173112	SEE TABLE	GENERAL MARKET	PSD	000	A
											SHEET NUMBER
											1 OF 1

Packaging specification: 1731120003-PK

DOCUMENT STATUS	P1	RELEASE DATE	2021/10/12	10:17:20
-----------------	----	--------------	------------	----------