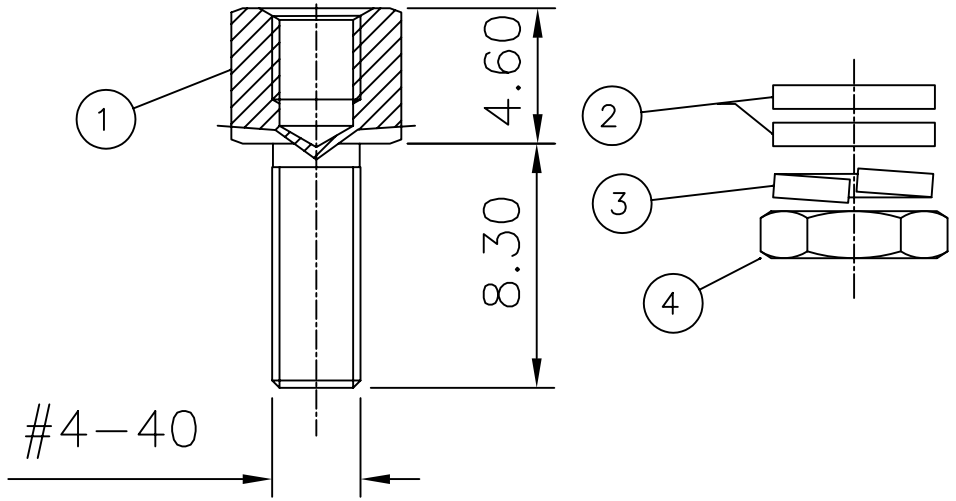
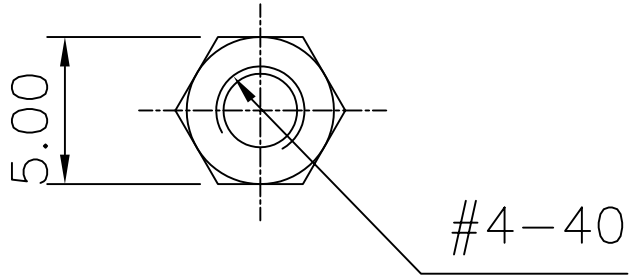


This document is the property of Amphenol Corporation and is delivered on the express condition that it is not to be disclosed, reproduced or used, in whole or in part, for manufacture or sale by anyone other than Amphenol Corporation without its prior consent, & that no right is granted to disclose or to use any information in this document.

REVISIONS				
SYM	ECN	DESCRIPTION	DATE	APPROVED
1			06/17/08	



- ① SCREWS
- ② 2 WASHERS
- ③ LOCK WASHERS
- ④ NUTS



CUSTOMER DRAWING

D-SUB TECHNICAL DATA

Plating : tinned
 delivered separately
 1 P/N = 10 lockings
 2 lockings are necessary for one connector

MARKING:
 Amphenol...(Series No.)
 Commercial reference
 Manufacturing date

UNLESS OTHERWISE SPECIFIED TOLERANCES		APPROVAL		DATE	Amphenol®	
	U.S.	METRIC	DRAWN	Lisa.peng		07/31/07
.X	+/-	0.50	CHECKED	Mk.wang		07/31/07
.XX	+/-	0.30	CHECKED			
.XXX	+/-	0.20				
FRACTIONS	+/-					
ANGLES	+/-	2°				
FOR MATERIALS AND FINISHES SEE NOTES		DRAWING FILE :		DRAWING Desc\LI7D204182		
REMOVE SHARP EDGES		ANGLE OF PROJECTION		TITLE		
DIMENSIONS				Accessory, screwlock with nut and washes		
U.S.	INCHES			SIZE	DRAWING NO.	
METRIC	MM			A4	C LI7D204182X	
				SCALE	NONE	
				SHEET 1 OF 1		
				REV.	1	