

PLEASE CHECK WWW.MOLEX.COM FOR LATEST PART INFORMATION

Part Number: [0709821002](#)
Status: **Active**
Overview: TDP® Triad® Differential Pair
Description: LFH™ and TDP® Panel Mount Hex Screw Kit

Documents:

[Drawing \(PDF\)](#) [RoHS Certificate of Compliance \(PDF\)](#)
[Application Specification AS-70929-001 \(PDF\)](#)

General

Product Family	I/O Connectors
Series	70982
Application	Wire-to-Board
Comments	Includes (2) Hex Lock Screws, (4) Washers, (2) Lockwashers, (2) Nuts
Component Type	Hex Screw
Overview	TDP® Triad® Differential Pair
Product Name	LFH™, TDP®
Type	N/A
UPC	800754354950

Physical

Boot Color	N/A
Circuits (Loaded)	N/A
Gender	N/A
Keying to Mating Part	N/A
Lock to Mating Part	Yes
Material - Plating Mating	N/A
Net Weight	2.445/g
Orientation	N/A
PCB Retention	N/A
Packaging Type	Bag
Panel Mount	Yes
Pitch - Mating Interface	N/A
Polarized to Mating Part	N/A
Polarized to PCB	N/A
Surface Mount Compatible (SMC)	No
Termination Interface: Style	N/A
Waterproof / Dustproof	No
Wire Size AWG	N/A

Electrical

Current - Maximum per Contact	N/A
Grounding to Panel	N/A
Voltage - Maximum	N/A

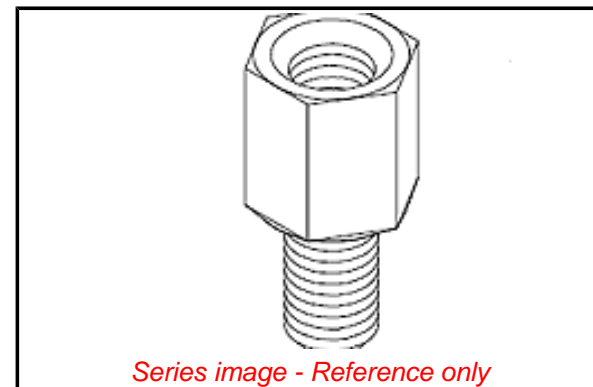
Solder Process Data

Lead-freeProcess Capability	N/A
-----------------------------	-----

Material Info

Reference - Drawing Numbers

Application Specification	AS-70929-001
Sales Drawing	SDMS-70982-****



EU ELV

Not Relevant

EU RoHS

Compliant with Exemption 6(a)

REACH SVHC

Not Contained Per - ED/21/2016 (20 June 2016)

Halogen-Free

Status

Low-Halogen

Need more information on product environmental compliance?

Email productcompliance@molex.com
Please visit the [Contact Us](#) section for any non-product compliance questions.

China ROHS

50 Image

ELV

Not Relevant

Search Parts in this Series

[70982 Series](#)

Use With

[70660](#), [70665](#), [70928](#), [70929](#), [71624](#),
[71626](#), [71475](#), [71478](#), [71718](#), [74960](#)

PLEASE CHECK WWW.MOLEX.COM FOR LATEST PART INFORMATION