

6

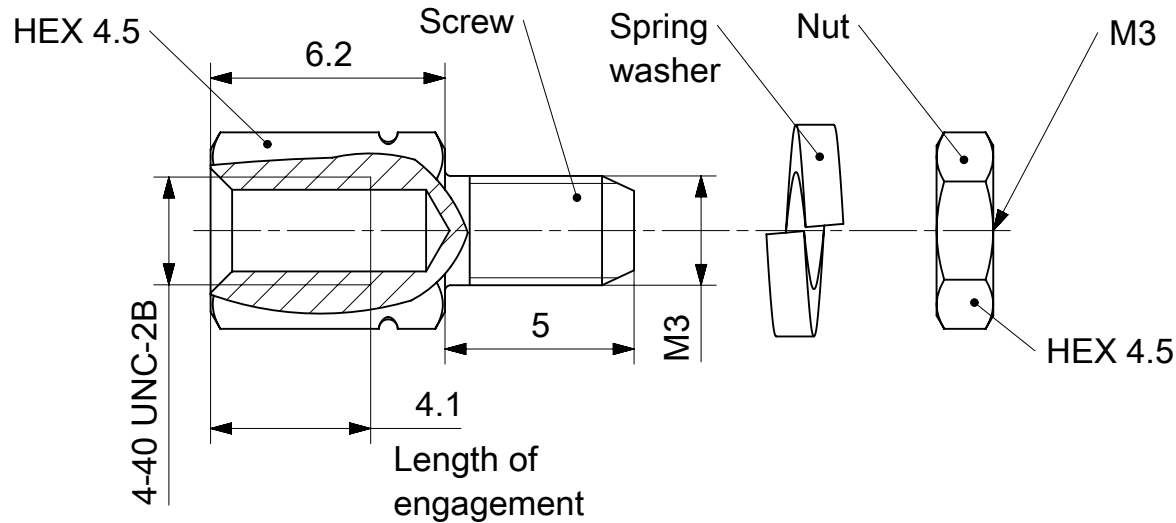
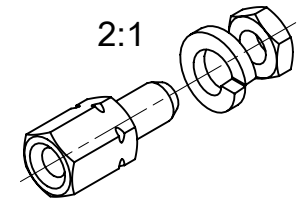
5

4

3

2

1



RoHS compliant  
by exemption

1731120277	F62M052S245+S	Steel	Tin plated	1	-	-	-
1731120381	F-GSCH1/5-K441	Steel	Zinc plated 1)	1	-	1	1
1731120602	F-GSCH1/5-K441SN	Steel	Tin plated	1	-	1	1
Material Number	FCT Part Number	Material	Surface	Screw (pc.)	Washer (pc.)	Spring washer (pc.)	Nut (pc.)

UNLESS OTHERWISE SPECIFIED DIMENSIONS FOR REFERENCE ONLY

REPLACEMENT FOR DOCUMENT NUMBER: F62M052\_D

Generally twice a material number respectively  
FCT part number is needed per connector.

Packaging specification: 1731120003-PK

1) With tension control fluid.

FUNCTIONAL SYMBOLS	THIS DRAWING CONTAINS INFORMATION THAT IS PROPRIETARY TO MOLEX ELECTRONIC TECHNOLOGIES, LLC AND SHOULD NOT BE USED WITHOUT WRITTEN PERMISSION							
	DIMENSION UNITS	SCALE	CURRENT REV DESC:				<p>FCT F-GSCH1/5-K441 4-40/M3 FEMALE SCREW LOCK</p> <p>PRODUCT CUSTOMER DRAWING</p>	
$\frac{F}{A} = 0$	mm	5:1	EC NO: 731759					
$\frac{F}{E} = 0$	GENERAL TOLERANCES (UNLESS SPECIFIED)		DRWN: MSTEINBRUECK 2022/02/17					
$\frac{F}{P} = 0$	ANGULAR TOL ± °		CHK'D: MTEUBEL 2022/12/12					
DIVISIONAL SYMBOLS	4 PLACES	±	APPR: MTEUBEL 2022/12/12					
	3 PLACES	±	INITIAL REVISION:					
	2 PLACES	±	DRWN: VLOKESHA 2021/08/31					
	1 PLACE	±	APPR: MTEUBEL 2021/11/22					
0 PLACES	±	DOCUMENT NUMBER				DOC TYPE	DOC PART	REVISION
DRAFT WHERE APPLICABLE MUST REMAIN WITHIN DIMENSIONS		FIRST ANGLE PROJECTION	DRAWING	SERIES	MATERIAL NUMBER	CUSTOMER	SHEET NUMBER	
			A4-SIZE	173112	SEE TABLE	GENERAL MARKET	1 OF 1	
				1731120602	PSD	000	A1	

DOCUMENT STATUS | P1 | RELEASE DATE | 2022/12/12 10:20:34

FORMAT: master-ib-prod-A4  
REVISION: 1  
DATE: 2020/01/14

6

5

4

3

2

1