

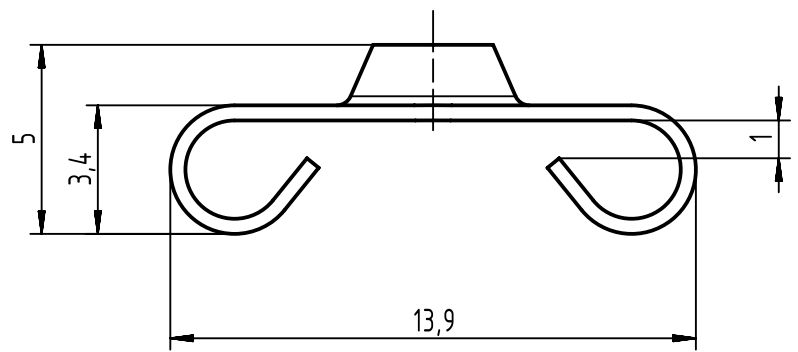
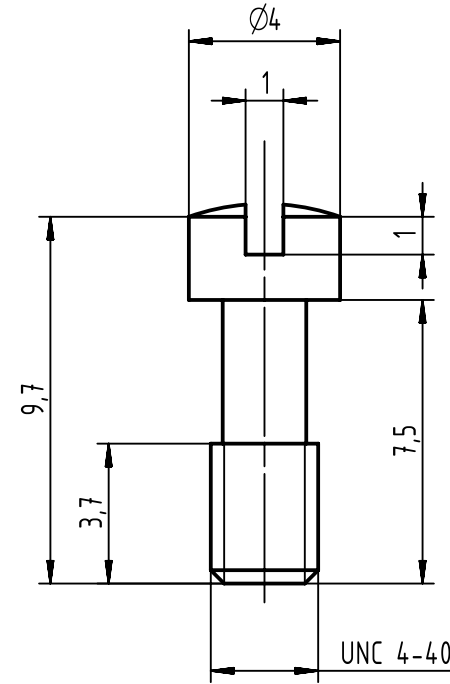
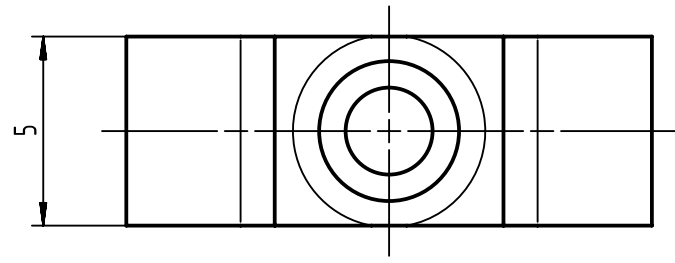
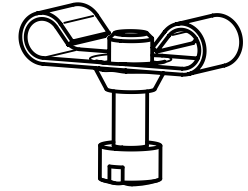
1 2 3 4 5 6

A

B

C

D



0967 001 9969 580	1000 sets
0967 001 9969	1 set
Part number	Packing quantity

	All rights reserved Department EC PD - CN	All Dimensions in mm Original Size DIN A4		Scale 5:1	Free size tol.	Ref.	
		Created by ZHUANGJ	Inspected by LUOK	Standardisation SCHREIER	Date 2015-10-13	State Final Release	
HARTING Electronics GmbH D-32339 Espelkamp		Title D-Sub male screw-lock 9, 15, 25 & 37-pole				Doc-Key / ECM-Nr. 100643473/UGD/000/A 500000095361	
		Type TB	Number 09670019969			Rev. A	Page 1/1