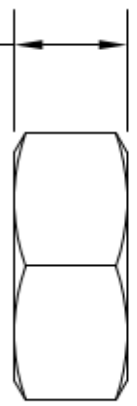


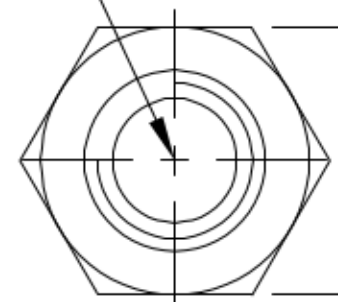
REV.	DESCRIPTION	DATE
A	RELEASE	2019.05.16

NUT AND SCREW

2.0±0.2

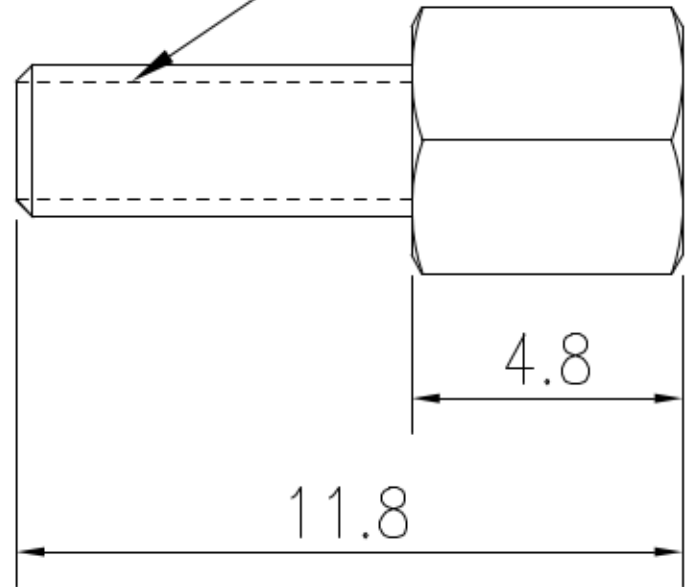


#4-40UNC



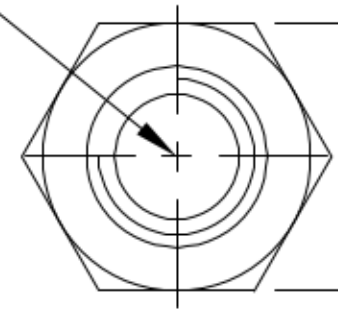
4.75±0.15

#4-40UNC





11.8

4.8



4.75±0.15

UNLESS TOLERANCE		DRAW BY
GENERAL	ANGLE	DESIGN BY
X. ± 0.30	X.' ± 3.0'	CHECK BY
.X ± 0.20	.X' ± 2.0'	APPROVE BY
.XX ± 0.15	.XX' ± 1.0'	SCALE
.XXX ± 0.08	.XXX' ± 0.5'	SHEET
 		UNIT
		1:1
		1/1
		MM

CnC Tech,LLC

Part No.: 10-40

Nut and Screw, 1000pcs bag/each

DRW NO: _____ REV: A