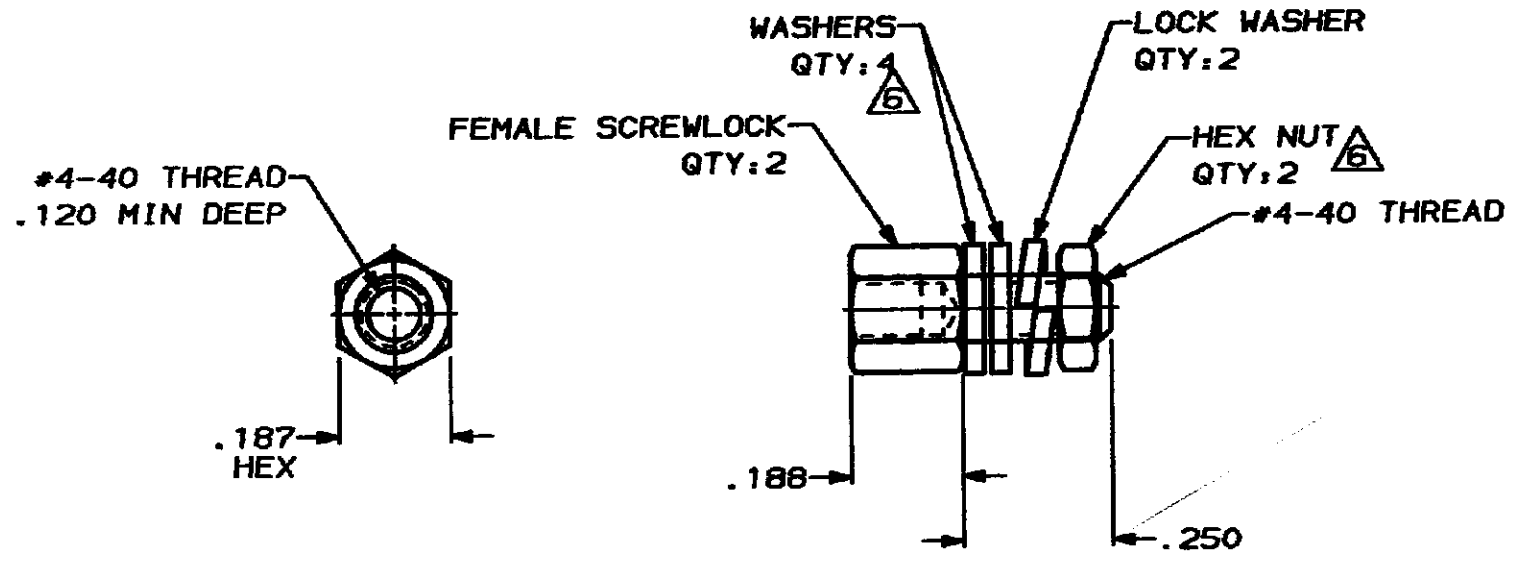


THIS DRAWING IS UNPUBLISHED. RELEASED FOR PUBLICATION .19
 © COPYRIGHT 19 BY AMP INCORPORATED. ALL INTERNATIONAL RIGHTS RESERVED.

MOD	LOC	QTY	ZONE	LTR	DESCRIPTION	DATE	APPD
8	BD	39		A	REDRAWN ON CAD	4-16-80	-



- ① ZINC PLATED PER ASTM B633, TYPE II, CLASS SCI, YELLOW CHROMATE.
- ② ZINC PLATED PER ASTM B633, TYPE III, CLASS SCI, CLEAR CHROMATE.
- 3. PARTS PACKAGED UNASSEMBLED.
- ④ PARTS PACKAGED AS A UNIT KIT.
- ⑤ PARTS INDIVIDUALLY BULK PACKED & SHIPPED AS A UNIT PACKAGE.
- ⑥ WASHERS & HEX NUTS ARE NOT INCLUDED.

OBSOLETE	PACKAGING	FINISH	PART NUMBER
⑤ ⑥	②	②	745563-5
⑤	②	②	745563-4
④	②	②	745563-3
⑤	①	①	745563-2
④	①	①	745563-1

DO NOT SCALE PRINT. UNLESS SPECIFIED DIMENSIONS IN INCHES TOLERANCES ON: 2 PLG DEC 2 - 3 PLG DEC 4 .045 ANGLES - -
 OR 4-16-80 J 0011021 00
 CHK 7/16/80
 APPD 7/16/80
 APPD 7/16/80
 PROJECT SPEC

AMP AMP INCORPORATED
 Harrisburg, Pa. 17105

KIT, SCREWLOCK, FEMALE, PLASTIC OR METAL SERIES, SHORT, AMPLIMITE™ HDE

SIZE	PSCH NO	DRAWING NO
B	00779	745563
SCALE	SHEET	
4:1	1 OF 1	

CUSTOMER DRAWING