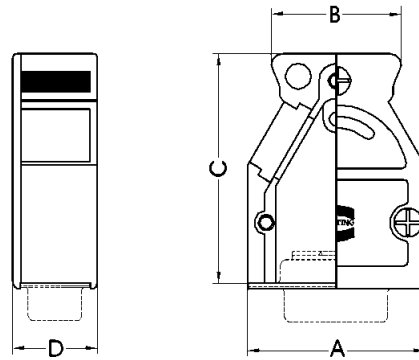


Full metal top and side entry hoods for spring or slide locking

Identification	No. of contacts	Part number	Drawing	Dimensions in mm
----------------	-----------------	-------------	---------	------------------

Top/side entry hood with spring/slide locking

9	61 03 001 0022 <sup>1)</sup>
15	61 03 001 0011 <sup>2)</sup>
25	61 03 001 0012 <sup>2)</sup>
37	61 03 001 0021 <sup>2)</sup>
50	61 03 001 0020 <sup>2)</sup>



No. of contacts	No. of cable entries	A	B	C	D
9	2	31.0	22.6	40.0	14.8
15	3	39.0	30.6	40.0	14.8
25	3	53.0	42.6	40.0	14.8
37	3	69.5	59.2	40.0	14.8
50	3	67.0	55.0	40.0	17.6