

SPECIFICATIONS:

MATERIALS:

METALIZED PLASTIC:

MATERIAL:

ABS HIGH TEMP PLASTIC 94HB

METALIZED PLATING:

NICKEL OVER COPPER

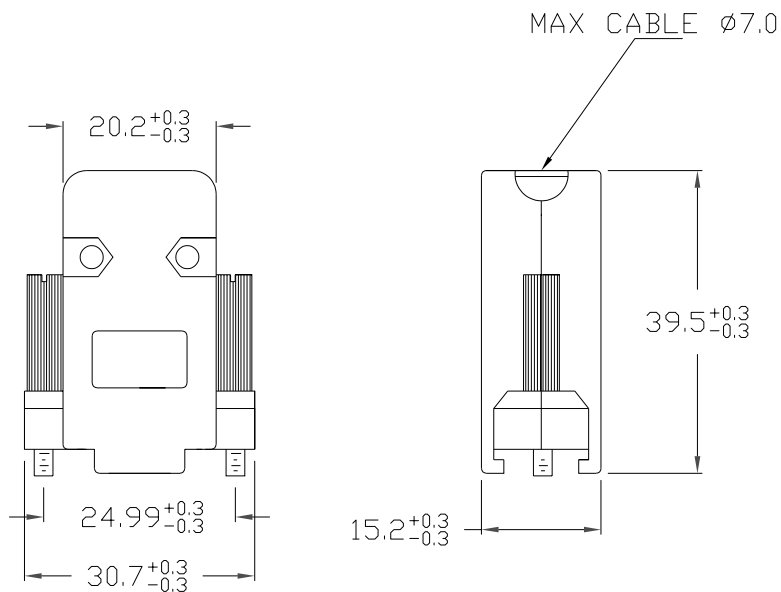
PLASTIC:

MATERIAL:

ABS HIGH TEMP PLASTIC 94HB

BACKSHELL KIT INCLUDES:

- (2) BACKSHELL HALVES
- (2) HOUSING SCREWS
- (2) HOUSING NUTS
- (2) #4-40 THUMBSCREWS
- (2) STRAIN RELIEF CLAMPS
- (2) STRAIN RELIEF SCREWS



**ASSEMBLY SCREW SIZE #4-40.
RECOMMENDED TORQUE 4 IN-LBS. MAX**

993-009-YYYRYY1

SERIES _____
 MATERIAL _____
 010 = PLASTIC
 020 = METALIZED PLASTIC
 COLOR _____
 03 = GREY (ONLY AVAILABLE WITH 010 - PLASTIC OPTION ABOVE)
 12 = NICKEL OVER COPPER (ONLY AVAILABLE WITH 020 - METALIZED PLASTIC OPTION ABOVE)

RoHS COMPLIANT

UNITS = mm

DO NOT SCALE FROM DRAWING



THESE DRAWINGS AND SPECIFICATIONS ARE THE PROPERTY OF NorComp AND SHALL NOT BE REPRODUCED, COPIED OR USED AS THE BASIS FOR THE MANUFACTURE OR SALE OF APPARATUS WITHOUT WRITTEN PERMISSION.

DRAWN:
P. JENKINS

DATE:
09/15/2005

NorComp

SCALE:
NTS

SHEET 1 OF 1

REV 5

DWG NO.

993-009-YYYRYY1