

5

4

3

2

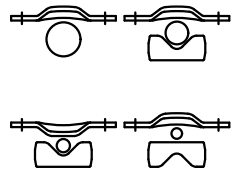
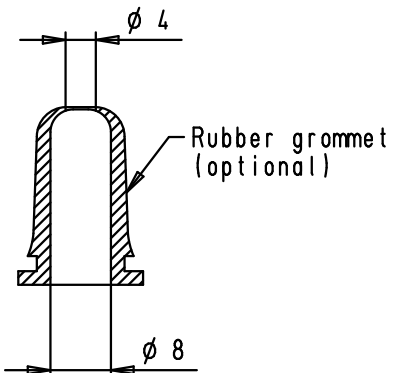
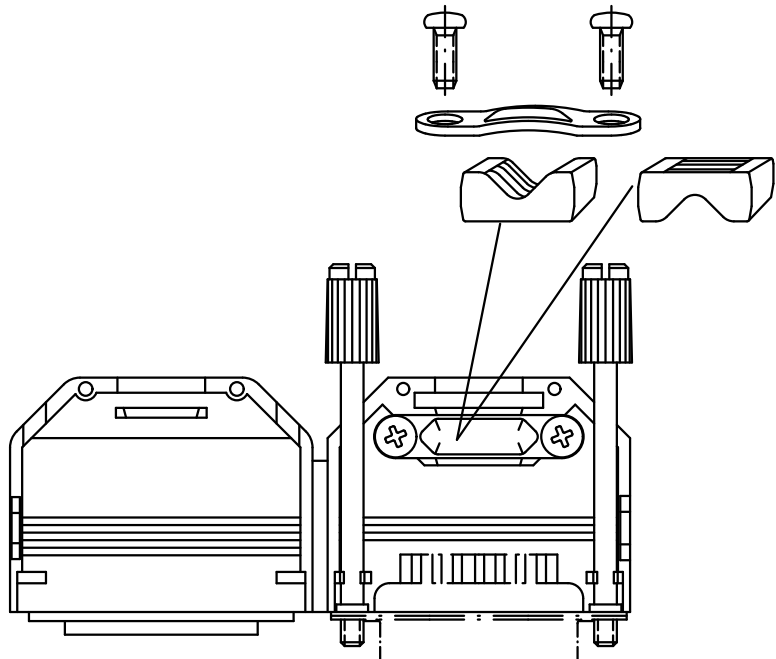
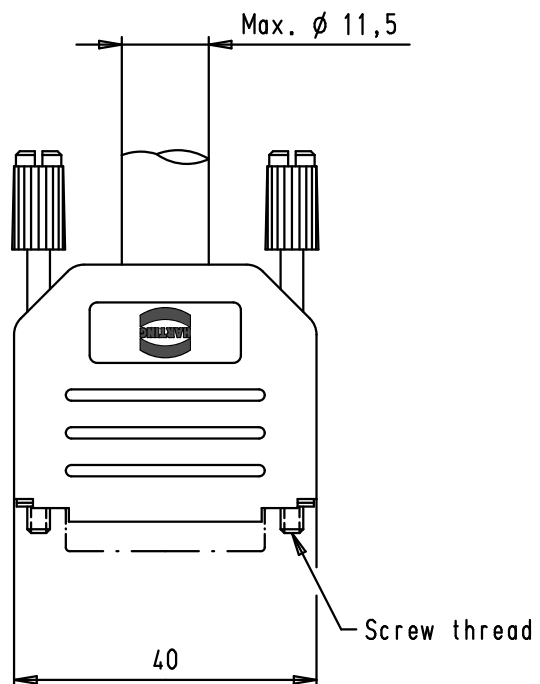
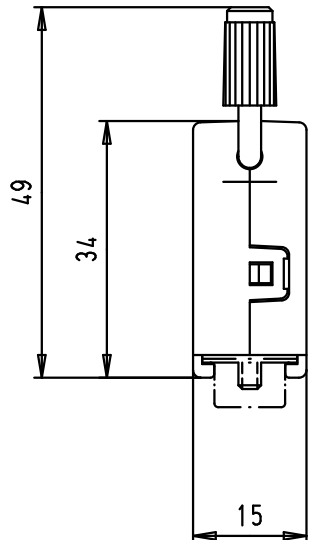
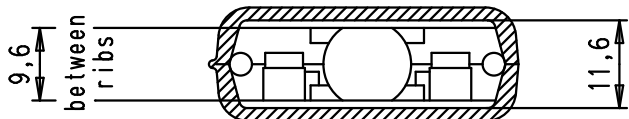
1

D


C

B

A



09 67 015 0426	M3
09 67 015 0424	4-40 UNC
Part number	Screw thread

Mod.	Dat.	Name	Dot.	Name
			Detail.	28/03/02 CV
			Insp.	
34784	11/02/08	PK	Stand.	
31085	04/09/02	CV		
29760	28/03/02	CV		
HARTING EURL F-95972 Paris			 <p>All Dim. in mm Orig. Size DIN A 4</p>	

D-Sub, top entry hood with knurled screws, 15 poles, thermoplastic black	Moßstab/ Scale
TB 09 67 015 042X	1:1
Sub.	Blatt/ Page 1/1