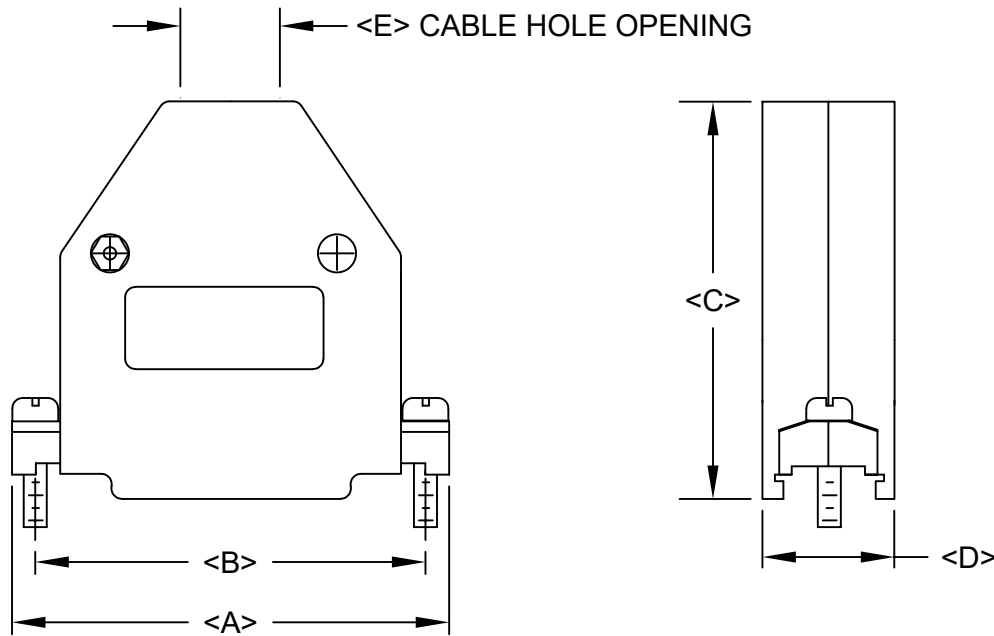


DESCRIPTION: 979 SERIES D-SUB BACKSHELL - METALIZED PLASTIC

BACK SHELL KIT INCLUDES:

- 2 - BACK SHELL HALVES
- 2 - 4-40 MATING SCREWS
- 2 - SADDLE WASHERS
- 2 - HOUSING SCREWS
- 2 - HOUSING NUTS
- 1 - GROMMET TREE - SEE PAGE 2 (NON-CONDUCTIVE GROMMETS)

DIMENSIONS(mm)					
SIZE	A ^{±0.3}	B ^{±0.3}	C ^{±0.3}	D ^{±0.3}	E ^{±0.3}
9	31.20	24.99	47.90	16.60	10.20
15	39.30	33.30	48.20	16.60	10.20
25	53.50	47.10	44.80	17.30	13.00
37	69.80	63.49	48.50	16.60	13.00
50	67.60	61.00	48.50	19.30	13.00



979-YYY-020 R 12 1

SERIES _____
 POSITIONS _____
 009 _____
 015 _____
 025 _____
 037 _____
 050 _____
 MATERIAL _____
 020 = METALIZED PLASTIC _____
 COLOR _____
 12 = NICKEL OVER COPPER _____
 PUT-UPS _____
 1 = KIT _____

BACKSHELL MATERIAL: NICKEL PLATED ABS PLASTIC, UL 94HB
 HARDWARE MATERIAL: NICKEL PLATED STEEL
 GROMMET MATERIAL: TPR
 OPERATING TEMPERATURE: 0°C TO +80°C

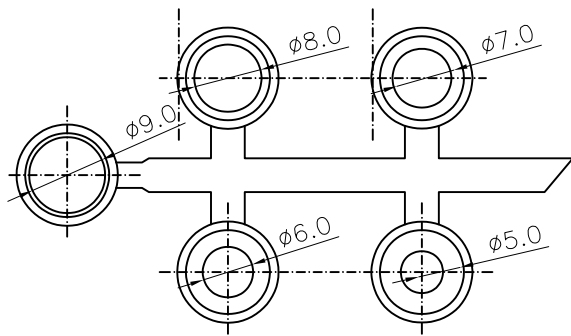
UNITS = mm

DO NOT SCALE FROM DRAWING

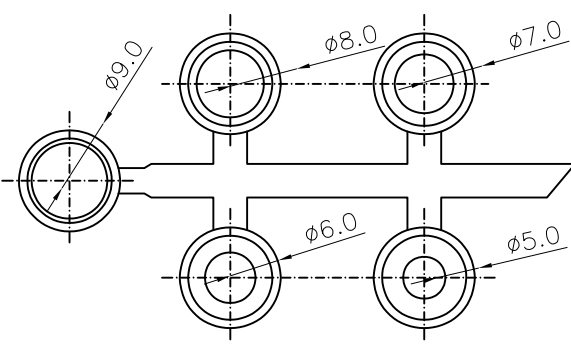
	THESE DRAWINGS AND SPECIFICATIONS ARE THE PROPERTY OF NorComp AND SHALL NOT BE REPRODUCED, COPIED OR USED AS THE BASIS FOR THE MANUFACTURE OF SALE OF APPARATUS WITHOUT WRITTEN PERMISSION.		DRAWN: P. JENKINS	DATE: 07/28/2005
	<h1>NorComp</h1>		SCALE: NTS	SHEET OF 1 2
DWG NO. 979-YYY-020R121				

RoHS COMPLIANT

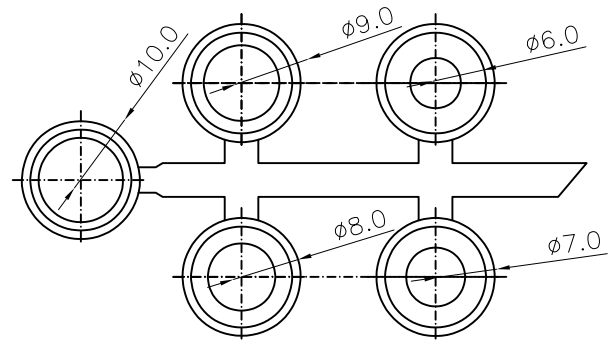
9P GROMMET TREE



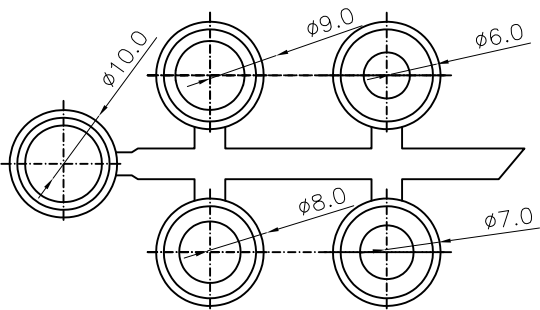
15P GROMMET TREE



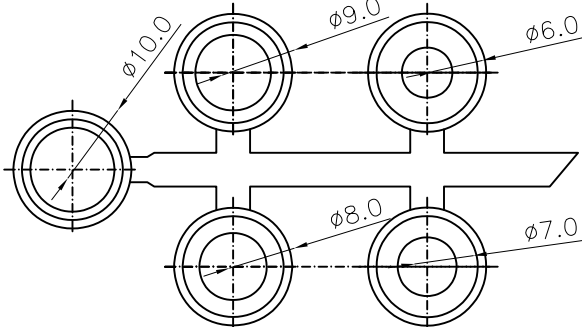
25P GROMMET TREE



37P GROMMET TREE



50P GROMMET TREE



UNITS = mm

DO NOT SCALE FROM DRAWING



THESE DRAWINGS AND SPECIFICATIONS ARE THE PROPERTY OF NorComp AND SHALL NOT BE REPRODUCED, COPIED OR USED AS THE BASIS FOR THE MANUFACTURE OF SALE OF APPARATUS WITHOUT WRITTEN PERMISSION.

DRAWN:
P. JENKINS

DATE:
07/28/2005

NorComp

SCALE: NTS SHEET 2 OF 2 REV 7

DWG NO. 979-YYY-020R121

RoHS COMPLIANT