

D-Sub Full Metal, Top Entry with Full Metal Jackscrews

TECHNICAL SPECIFICATIONS

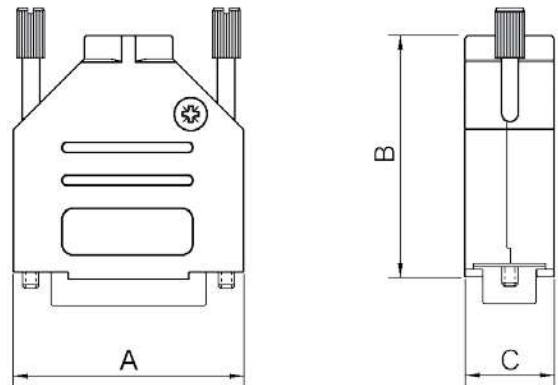
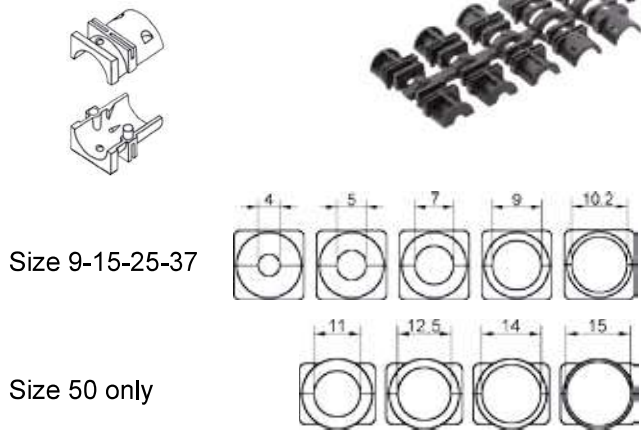
Material: Zinc, Nickel Plated
 Operating Temperature: -40°C to +120°C
 Cable Entry: Top Entry
 Thumbscrews: UNC 4-40 (Standard)
 M2,5 or M3 on request
 Cable O.D: Up to 11,5mm (Size 9-37)
 Up to 17mm (Size 50)

Features:

- Available in sizes 9-15-25-37-50
- Size 50 equipped with extra cable clamp
- Excellent EMI Shielding
- Re-openable
- Strain relief inserts ensure a secure termination
- Full Metal Jackscrew as standard.
- Also available with Metalized (RAHI) grommets



Grommet Sizes:



| Size DTZK | Dim A | Dim B | Dim C |
|-----------|-------|-------|-------|
| 9-way | 31,0 | 39,5 | 15,0 |
| 15-way | 39,5 | 41,5 | 15,0 |
| 25-way | 53,5 | 48,5 | 15,0 |
| 37-way | 71,0 | 53,0 | 15,0 |
| 50-way | 67,5 | 54,0 | 18,7 |

Ordering information:

| Size: | P/N - Kitted: | Product Code: |
|--------|---------------|---------------|
| 9-way | 6560-0105-01 | DTZK09-K |
| 15-way | 6560-0105-02 | DTZK15-K |
| 25-way | 6560-0105-03 | DTZK25-K |
| 37-way | 6560-0105-04 | DTZK37-K |
| 50-way | 6560-0105-05 | DTZK50-K |

| Size: | P/N - BULK: | Product Code: |
|--------|--------------|---------------|
| 9-way | 6561-0105-01 | DTZK09 |
| 15-way | 6561-0105-02 | DTZK15 |
| 25-way | 6561-0105-03 | DTZK25 |
| 37-way | 6561-0105-04 | DTZK37 |
| 50-way | 6561-0105-05 | DTZK50 |



Encitech Connectors AB
 Rörkullsvägen 4
 SE-302 41 HALMSTAD, Sweden

Tel: +46-(0)35-15 13 90
 e-mail: connectors@encitech.com

www.encitech.com