

TECHNICAL SPECIFICATIONS

Material: Plastic (PA), UL94-HB
 Colour: DEC Grey
 Operating Temperature: -55°C to +110°C
 Thumbscrews: UNC 4-40
 No. of contacts: 09-15-25-37-50

Item	QTY	Part description
1	1	Plastic Cover
2	2	EPS 3x8 Self Tapping Screw
3	1	Cable Clamp
4	1	Plastic Insert
5	2	Jackscrews UNC4-40x51mm

RoHS compliant
 Unit: mm

Scale	Free				Date	Name	Customer-No.
TOLERANCE					Drawn	17.08.2017	S.Bölling
0~6	±0.10				Approved	17.08.2017	S.Bölling
6~30	±0.20						
30~120	±0.30						
120~400	±0.50	1	Update Dimension (page 5)	01.04.2019	M.Rosander		
DIM	Tol	Ⓞ	Drawn	17.08.2017	S.Bölling	ASSMANN WSW components ASS_5255_CO rev01 Replace Sheet 1/5	
Angle	±1°						
Angle	Tol	ld.	Modification	Date	Name		

1

2

3

4

5

6

7

A

A

B

B

C

C

D

D

E

E

F

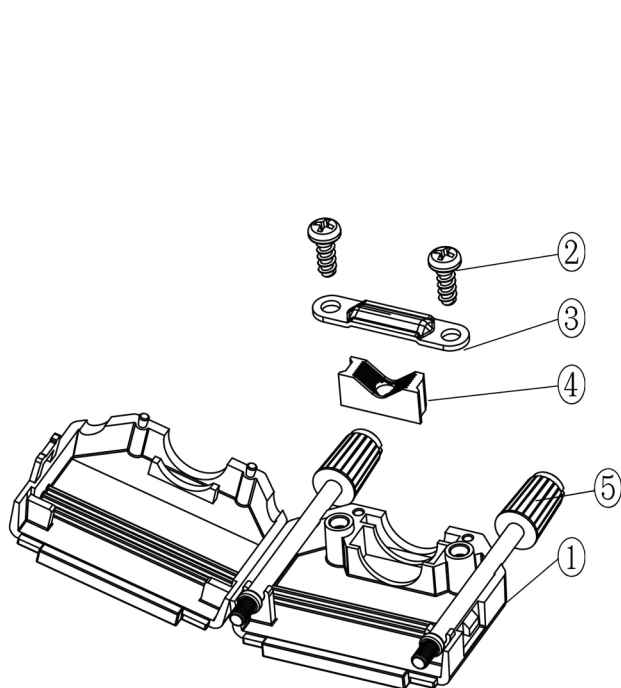
F

G

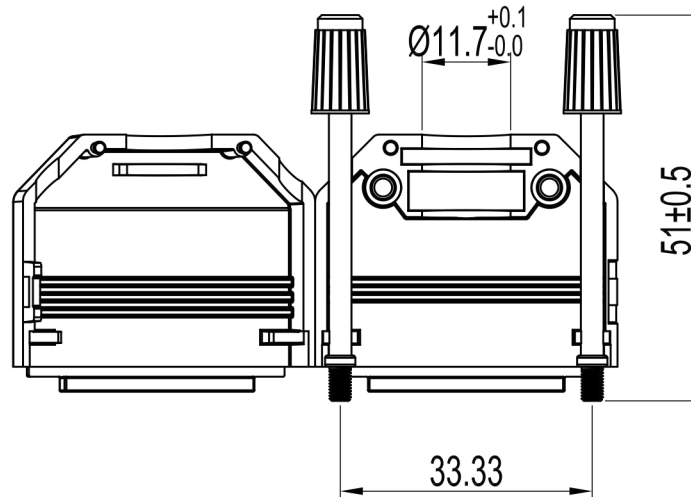
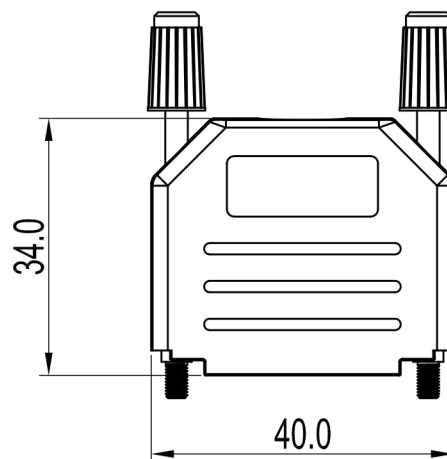
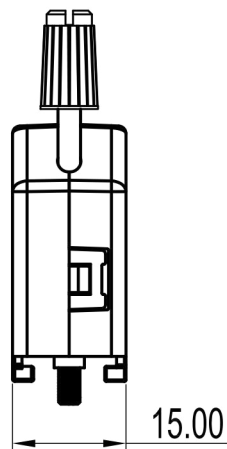
G

H

H



Item	QTY	Part description
1	1	Plastic Cover
2	2	EPS 3x8 Self Tapping Screw
3	1	Cable Clamp
4	1	Plastic Insert
5	2	Jackscrews UNC4-40x51mm



TECHNICAL SPECIFICATIONS

Material: Plastic (PA), UL94-HB
 Colour: DEC Grey
 Operating Temperature: -55°C to +110°C
 Thumbscrews: UNC 4-40

No. of contacts: 09-15-25-37-50

RoHS compliant
 Unit: mm

Scale	Free				Date	Name	Customer-No.
TOLERANCE					Drawn	17.08.2017	S.Bölling
0~6	±0.10				Approved	17.08.2017	S.Bölling
6~30	±0.20						
30~120	±0.30						
120~400	±0.50	1	Update Dimension (page 5)	01.04.2019	M.Rosander		
DIM	Tol	Ⓞ	Drawn	17.08.2017	S.Bölling		
Angle	±1°						
Angle	Tol	ld.	Modification	Date	Name		

ASSMANN
 WSW components

ASSMANN WSW-No.
ACOV-SUB-15NB14

Drawing-No.
ASS_5255_CO rev01
 Replace Sheet 2/5

1

2

3

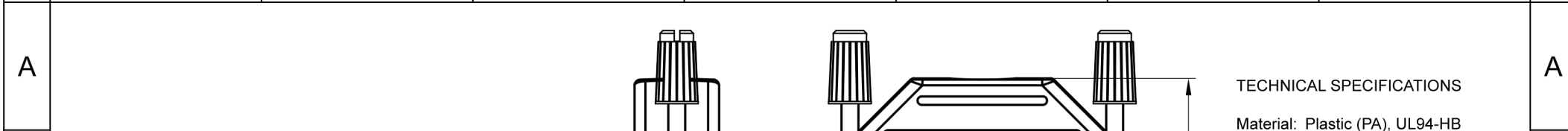
4

5

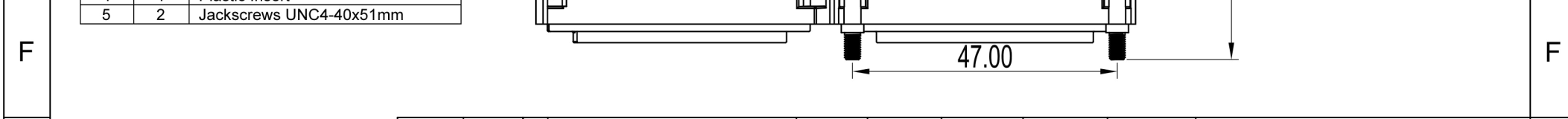
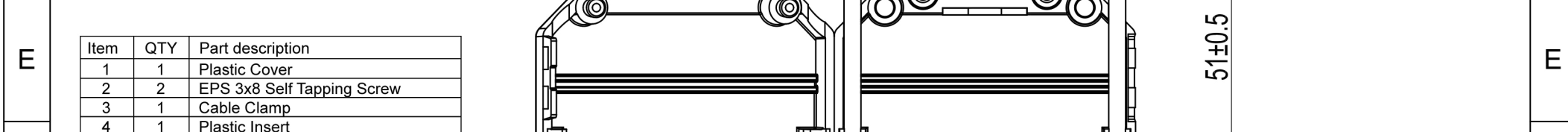
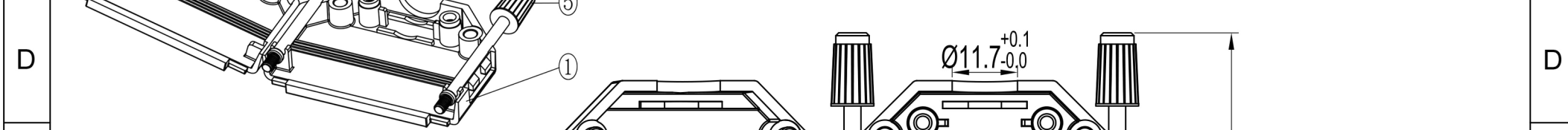
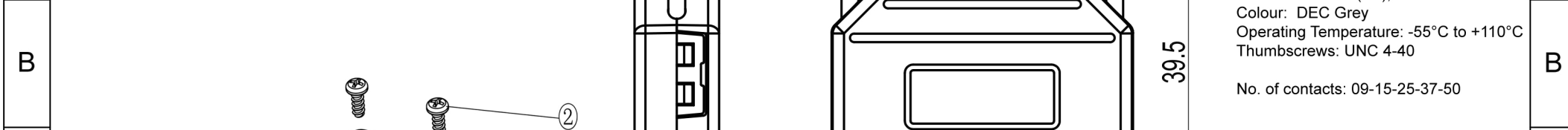
6

7

SV4382



TECHNICAL SPECIFICATIONS
 Material: Plastic (PA), UL94-HB
 Colour: DEC Grey
 Operating Temperature: -55°C to +110°C
 Thumbscrews: UNC 4-40
 No. of contacts: 09-15-25-37-50



Item	QTY	Part description
1	1	Plastic Cover
2	2	EPS 3x8 Self Tapping Screw
3	1	Cable Clamp
4	1	Plastic Insert
5	2	Jackscrews UNC4-40x51mm

Scale	Free	Date	Name	Customer-No.
TOLERANCE		Drawn	17.08.2017	S.Bölling
0~6	±0.10	Approved	17.08.2017	S.Bölling
6~30	±0.20			
30~120	±0.30			
120~400	±0.50			

RoHS compliant
 Unit: mm

DIM	Tol	1	Update Dimension (page 5)	01.04.2019	M.Rosander		Drawing-No.	ASS_5255_CO	rev01
Angle	±1°	Ⓞ	Drawn	17.08.2017	S.Bölling		Replace		Sheet 3/5
Angle	Tol	Id.	Modification	Date	Name				

1

2

3

4

5

6

7

A

A

B

B

C

C

D

D

E

E

F

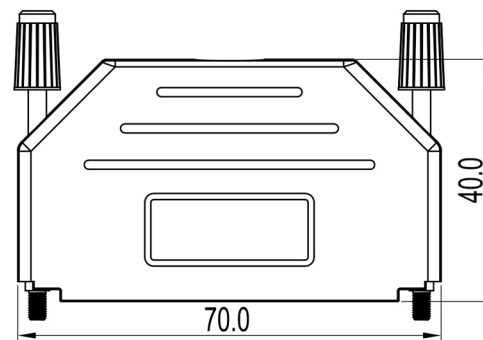
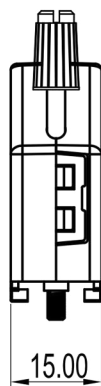
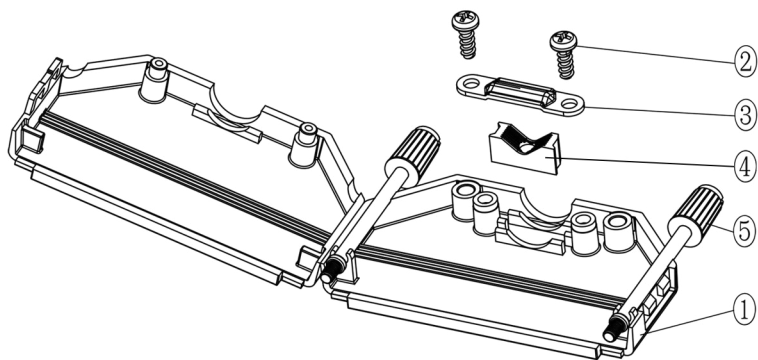
F

G

G

H

H

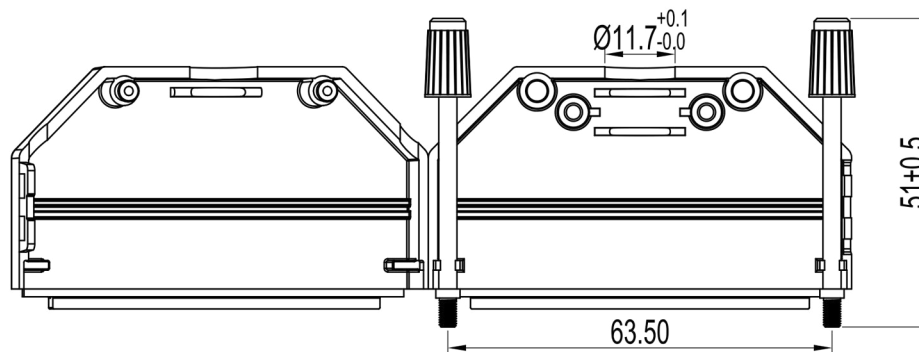


TECHNICAL SPECIFICATIONS

Material: Plastic (PA), UL94-HB
 Colour: DEC Grey
 Operating Temperature: -55°C to +110°C
 Thumbscrews: UNC 4-40

No. of contacts: 09-15-25-37-50

Item	QTY	Part description
1	1	Plastic Cover
2	2	EPS 3x8 Self Tapping Screw
3	1	Cable Clamp
4	1	Plastic Insert
5	2	Jackscrews UNC4-40x51mm



RoHS compliant
 Unit: mm

Scale	Free				Date	Name	Customer-No.
TOLERANCE					Drawn	17.08.2017	S.Bölling
0~6	±0.10				Approved	17.08.2017	S.Bölling
6~30	±0.20						
30~120	±0.30						
120~400	±0.50	1	Update Dimension (page 5)	01.04.2019	M.Rosander		
DIM	Tol	Ⓞ	Drawn	17.08.2017	S.Bölling		
Angle	±1°						
Angle	Tol	Id.	Modification	Date	Name		

ASSMANN WSW-No.
ACOV-SUB-37NB14

Drawing-No.
ASS_5255_CO rev01
 Replace Sheet 4/5

ASSMANN
 WSW components

1

2

3

4

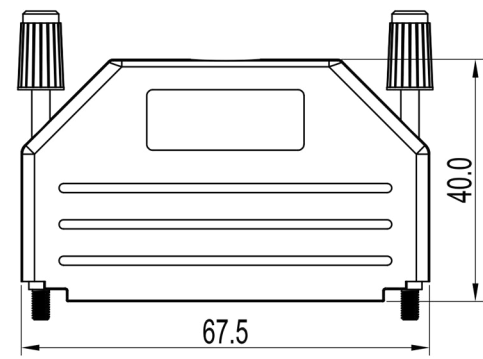
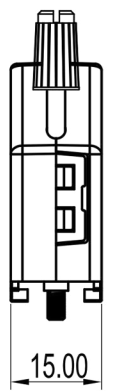
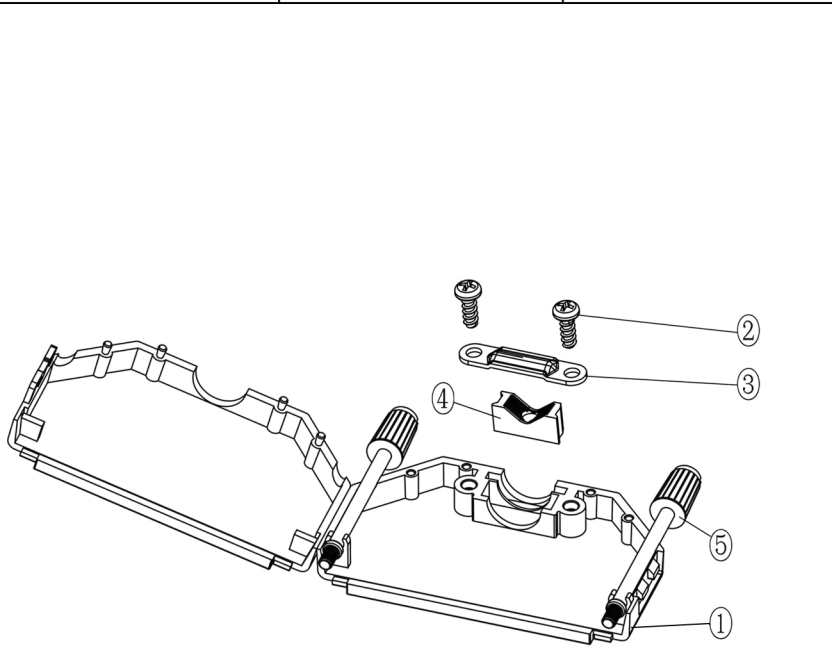
5

6

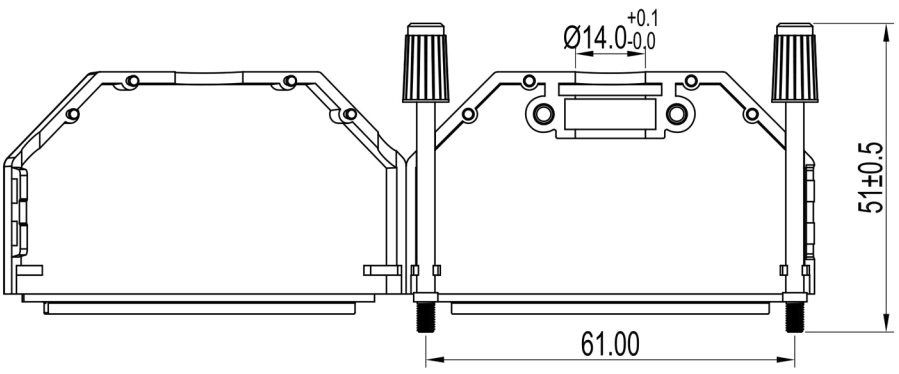
7

SV4382

A
B
C
D
E
F
G
H



TECHNICAL SPECIFICATIONS
 Material: Plastic (PA), UL94-HB
 Colour: DEC Grey
 Operating Temperature: -55°C to +110°C
 Thumbscrews: UNC 4-40
 No. of contacts: 09-15-25-37-50



Item	QTY	Part description
1	1	Plastic Cover
2	2	EPS 3x8 Self Tapping Screw
3	1	Cable Clamp
4	1	Plastic Insert
5	2	Jackscrews UNC4-40x51mm

RoHS compliant
Unit: mm

Scale	Free				Date	Name	Customer-No.
TOLERANCE					Drawn	17.08.2017	S.Bölling
0~6	±0.10				Approved	17.08.2017	S.Bölling
6~30	±0.20						
30~120	±0.30						
120~400	±0.50	1	Update Dimension (page 5)	01.04.2019	M.Rosander		
DIM	Tol	Ⓞ	Drawn	17.08.2017	S.Bölling		
Angle	±1°						
Angle	Tol	Id.	Modification	Date	Name		

ASSMANN WSW-No. ACOV-SUB-50NB14	
Drawing-No. ASS_5255_CO	rev01
Replace	Sheet 5/5

