

D-Sub Full Metal, Black, Top cable entry

TECHNICAL SPECIFICATIONS

Material: Zinc, Black Plated
 Operating Temperature: -40°C to +120°C
 Cable Entry: Top Entry
 Thumbscrews: UNC 4-40 (Standard)
 M2,5 or M3 on request
 Cable O.D: Up to 11,5mm

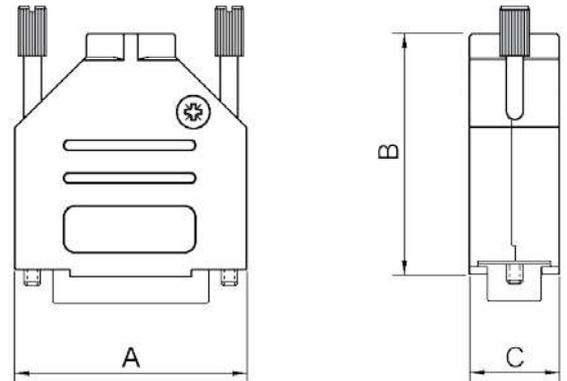
Features:

- Available in sizes 9-15-25-37
- Size 50 on request
- Excellent EMI Shielding
- Re-openable
- Strain relief inserts ensure a secure termination
- Black Full Metal Jackscrew as standard



Grommet Sizes:

Size 9-15-25-37



Size DTZK	Dim A	Dim B	Dim C
9-way	31,0	39,5	15,0
15-way	39,5	41,5	15,0
25-way	53,5	48,5	15,0
37-way	71,0	53,0	15,0

Ordering information:

Size:	P/N - Kitted:	Product Code:
9-way	6560-0115-01	DTZK09-BK-K
15-way	6560-0115-02	DTZK15-BK-K
25-way	6560-0115-03	DTZK25-BK-K
37-way	6560-0115-04	DTZK37-BK-K



Encitech Connectors AB
 Rörkullsvägen 4
 SE-302 41 HALMSTAD, Sweden

Tel: +46-(0)35-15 13 90
 e-mail: connectors@encitech.com

www.encitech.com