

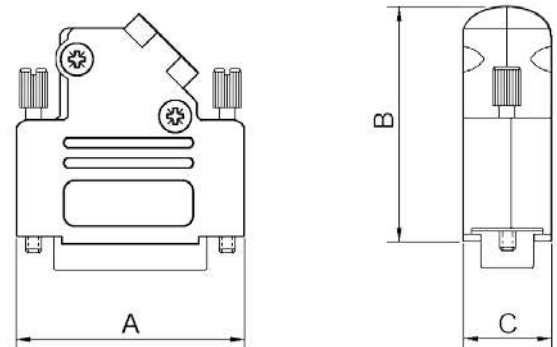
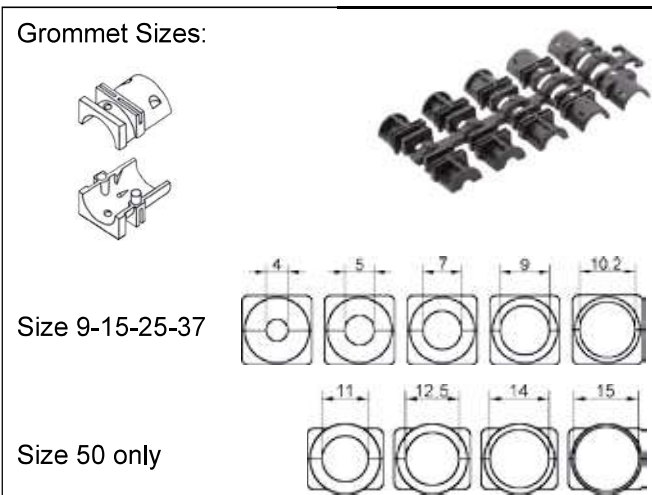
**D-Sub Full Metal, Side cable entry with Plastic Grommet Set**

**TECHNICAL SPECIFICATIONS**

Material: Zinc, Nickel Plated  
 Operating Temperature: -40°C to +120°C  
 Cable Entry: Side Entry  
 Thumbscrews: UNC 4-40 (Standard)  
 M2,5 or M3 on request  
 Cable O.D: Up to 11,5mm (Size 9-37)  
 Up to 17mm (Size 50)

**Features:**

- Available in sizes 9-15-25-37-50
- Size 50 equipped with extra cable clamp
- Excellent EMI Shielding
- Re-openable
- Strain relief inserts ensure a secure termination
- Full Metal Jackscrew as standard.
- Also available with Metalized (RAHI) grommets



Size DTZK	Dim A	Dim B	Dim C
9-way	31,0	39,5	15,0
15-way	39,5	41,5	15,0
25-way	53,5	48,5	15,0
37-way	71,0	53,0	15,0
50-way	67,5	54,0	18,7

**Ordering information:**

Size:	P/N - Kitted:	Product Code:
9-way	6560-0106-11	D45ZK09-K
15-way	6560-0106-12	D45ZK15-K
25-way	6560-0106-13	D45ZK25-K
37-way	6560-0106-14	D45ZK37-K
50-way	6560-0106-15	D45ZK50-K

Size:	P/N - BULK:	Product Code:
9-way	6561-0106-11	D45ZK09
15-way	6561-0106-12	D45ZK15
25-way	6561-0106-13	D45ZK25
37-way	6561-0106-14	D45ZK37
50-way	6561-0106-15	D45ZK50