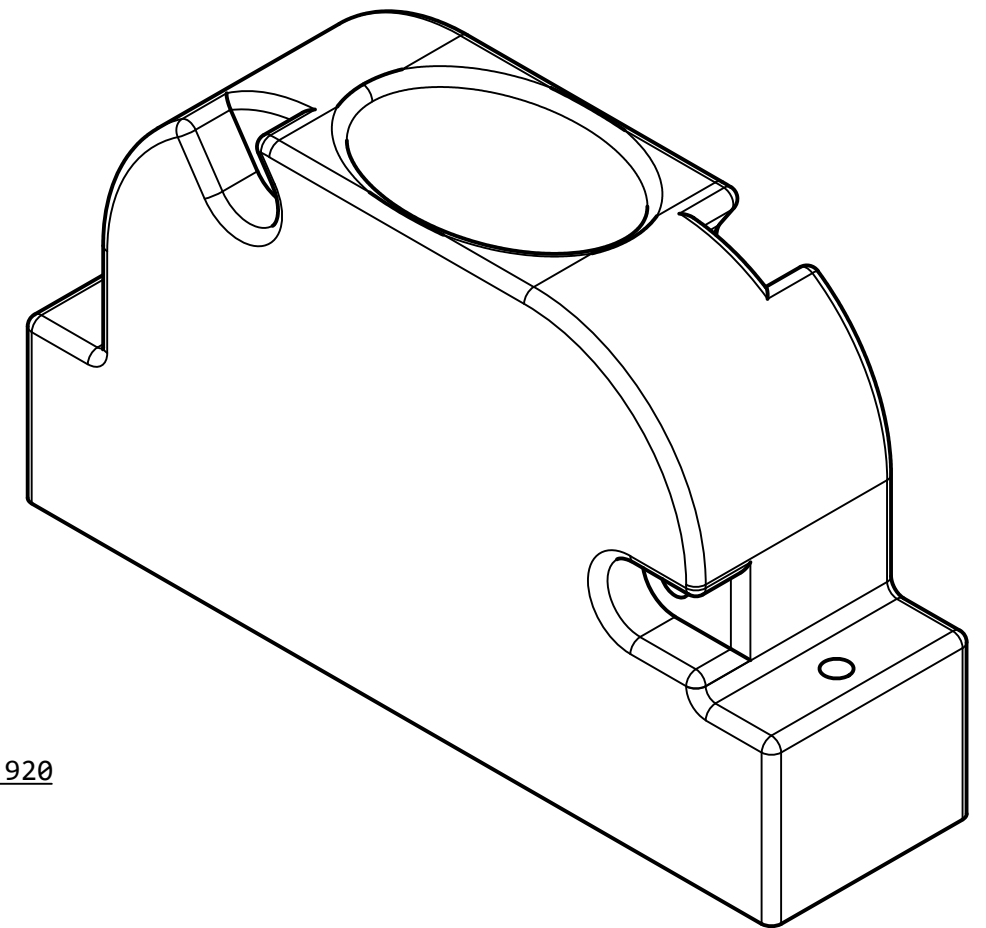
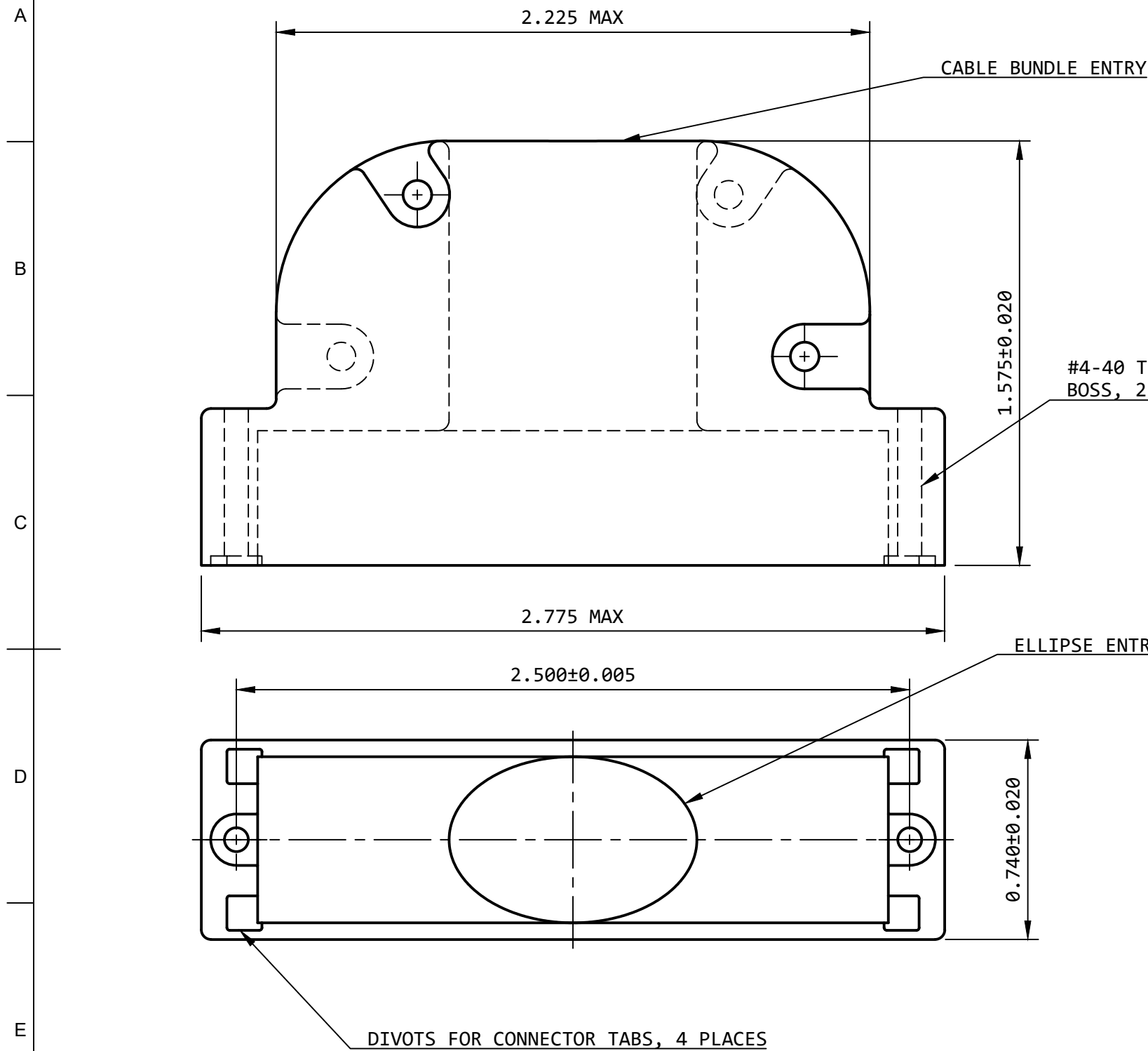


CONFIDENTIAL INFORMATION: THIS DOCUMENT AND CONTAINED INFORMATION ARE THE PROPERTY OF RUSSTECH ENGINEERING COMPANY, INC. THE RECIPIENT, BY RECEIPT AND RETENTION HEREOF, ACKNOWLEDGES THAT THE INFORMATION RECEIVED IS CONFIDENTIAL, DEVELOPED OVER TIME AT SIGNIFICANT EXPENSE, AND THAT DISCLOSURE THEREOF TO THIRD PARTIES WILL CAUSE IRREPAIRABLE HARM TO RUSSTECH. THE RECIPIENT BY THE RECEIPT AND RETENTION OF SUCH INFORMATION, AGREES TO MAINTAIN SUCH INFORMATION IN CONFIDENCE, TO NOT DISCLOSE IT TO THIRD PARTIES, AND TO RETURN IT, AND ALL COPIES OR DERIVATIVES THEREOF, IN ANY FORM, TO RUSSTECH, UPON REQUEST.

REVISION HISTORY

ZONE	REV	DESCRIPTION	CHECKED BY	DATE	APPROVED BY	DATE
------	-----	-------------	------------	------	-------------	------



NOTES:

1. DIMENSIONS APPLY AFTER FINISH
2. MATERIAL: ALUMINUM 6061-T6
3. FINISH: ELECTROLESS NICKEL PLATING PER AMS 2404
4. PACKAGE TO PREVENT DAMAGE

TECHNICAL REFERENCE RT-BC0007-236C_v1.step				RUSSTECH ENGINEERING COMPANY, INCORPORATED 16 TECHNOLOGY DRIVE, SUITE 111 IRVINE, CA 92618, USA			
UNLESS OTHERWISE SPECIFIED DIMENSIONS ARE IN DECIMAL INCHES WITH METRIC IN BRACKETS		APPROVALS	DATE	TITLE RT-BC0007-236C D-SUBMINIATURE BACKSHELL			
TOLERANCES ARE:		DRAWN BY B. LEBSON	9/3/20	SIZE A3			
.X ± .1 .XX ± .03 .XXX ± .010 ANGLES ± .5°		CHECKED BY		CAGE CODE 1EG24	DRAWING NUMBER RT-BC0007-236C-S		REV. NEW
REMOVE ALL BURRS & SHARP EDGES		ENGINEER		SCALE 2:1	AUTODESK-FUSION	DEPARTMENT SALES	SHEET 1/1