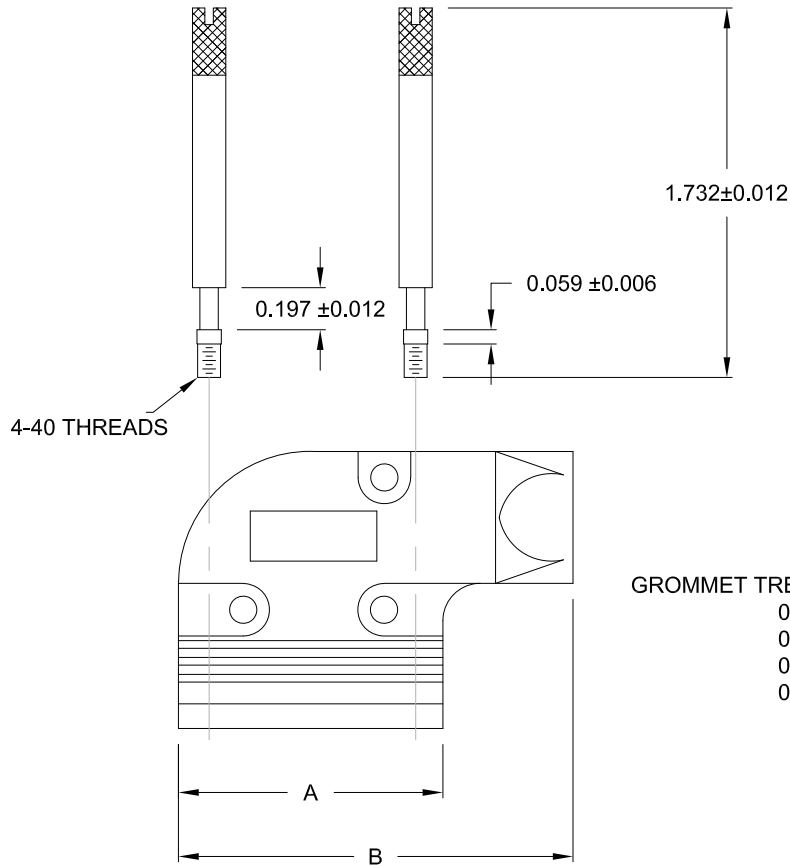
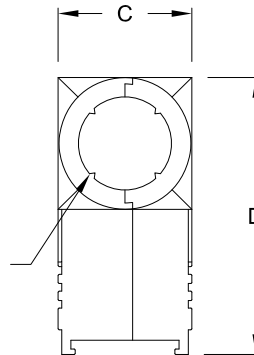


DIMENSIONS (IN.)				
No. OF PINS	A	B	C	D
9	1.265	1.850	0.628	1.300
15	1.580	2.314	0.639	1.300
25	2.130	2.840	0.650	1.300



GROMMET TREE SIZES INSIDE Ø
 0.185"
 0.248"
 0.290"
 0.324"



BACKSHELL KIT INCLUDES:

- (2) BACKSHELL HALVES
- (3) HOUSING SCREWS & NUTS
- (2) THUMBSCREWS
- (1) GROMMET TREE (NON-CONDUCTIVE) [162-000-925R000]

981-YYY-130R121

POSITIONS
 009
 015
 025

1 = THUMBSCREWS

MATERIAL
 30 = ZINC

COLOR
 12 = NICKEL OVER COPPER

PUT-UPS
 1 = KIT

MATERIAL: DIE-CAST ZINC ALLOY, NICKEL PLATED
 OPERATING TEMPERATURE: -45°C TO +120°C

RoHS COMPLIANT

UNITS = INCHES

DO NOT SCALE FROM DRAWING



THESE DRAWINGS AND SPECIFICATIONS ARE THE PROPERTY OF NorComp AND SHALL NOT BE REPRODUCED, COPIED OR USED AS THE BASIS FOR THE MANUFACTURE OR SALE OF APPARATUS WITHOUT WRITTEN PERMISSION.

DRAWN:
C. SMITH
 DATE:
 02/16/2007

NorComp

SCALE: NTS	SHEET 1	OF 1	REV 5
DWG NO. 981-YYY-130R121			