

D-Sub Metalized cover, Top cable entry

TECHNICAL SPECIFICATIONS

Material: UL Recognised Plastic Material
 Plating: Nickel over Copper
 Operating Temperature: -55°C to +110°C
 Cable Entry: Top
 Thumbscrews: UNC 4-40 (Standard)
 M2,5 or M3 on request
 Cable O.D: Up to 11,5mm

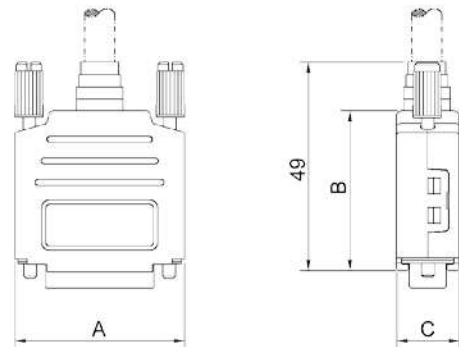


Features:

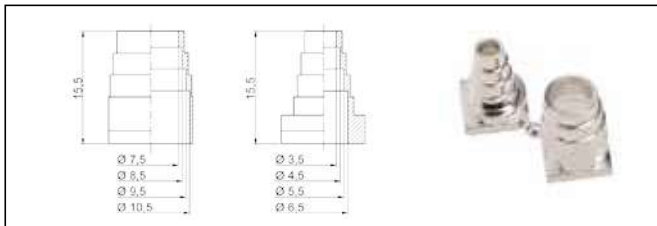
- Available in sizes 9, 15, 25 and 37-way
- Suitable for any common Sub-D Connector
- Quick-Snap locking system
- Re-openable
- Company logo available upon request
- Recyclable



Accessories - Cutter



Metalized grommet set



Size DPPK-M	Dim A	Dim B	Dim C
9-way	32,5	38,0	15,0
15-way	41,0	38,0	15,0
25-way	54,5	40,0	15,0
37-way	71,0	40,0	15,0

Ordering information:

Size:	P/N - Kitted:	Product Code:
9-way	6260-0105-01	DPPK-M-09-K
15-way	6260-0105-02	DPPK-M-15-K
25-way	6260-0105-03	DPPK-M-25-K
37-way	6260-0105-04	DPPK-M-37-K

Size:	P/N - BULK:	Product Code:
9-way	6261-0105-01	DPPK-M-09
15-way	6261-0105-02	DPPK-M-15
25-way	6261-0105-03	DPPK-M-25
37-way	6261-0105-04	DPPK-M-37



Encitech Connectors AB
 Rörkullsvägen 4
 SE-302 41 HALMSTAD, Sweden

Tel: +46-(0)35-15 13 90
 e-mail: connectors@encitech.com

www.encitech.com