

**PLEASE CHECK WWW.MOLEX.COM FOR LATEST PART INFORMATION**

**Part Number:** [1727040181](#)  
**Status:** **Active**  
**Overview:** [FCT D-Sub Connectors](#)  
**Description:** FCT Plastic Backshell for D-Sub Connector, Shielded, Shell Size 5, Straight Cable Outlet

**Documents:**

[Brochure \(PDF\)](#) [RoHS Certificate of Compliance \(PDF\)](#)

**General**

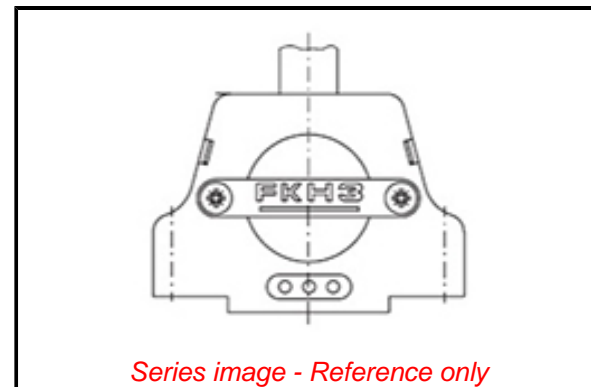
Product Family	D-Sub Products
Series	<a href="#">172704</a>
Overview	<a href="#">FCT D-Sub Connectors</a>
Product Category	Backshell
Product Name	FCT Products
Taxonomy	D-Sub Backshells
Type	Plastic
UPC	889056062572

**Physical**

Cable Diameter	10.50-12.00mm
Material - Backshell	ABS / PC+ABS
Net Weight	23.900/g
Orientation	Straight
Packaging Type	Bag
Plating - Backshell	Nickel
Shield Type	Shielded Plastic
Shielded	Yes
Temperature Range - Operating	-35° to +95°C
Tightening Test Torque	40 Ncm
Waterproof / Dustproof	No

**Material Info**

Engineering Number	FKH5AE
--------------------	--------



**EU ELV**

**Not Relevant**

**EU RoHS**

**Compliant with Exemption 6(a)-I**

**REACH SVHC**

Contained Per -  
D(2022)4187-DC (10  
June 2022)

Lead

**Halogen-Free**

**Status**

**Not Reviewed**

For more information, please visit [Contact US](#)

China ROHS

50 Image

ELV

Not Relevant

RoHS Phthalates

Not Contained

**Search Parts in this Series**

[172704 Series](#)

**Use With**

FCT D-Sub, Size 5