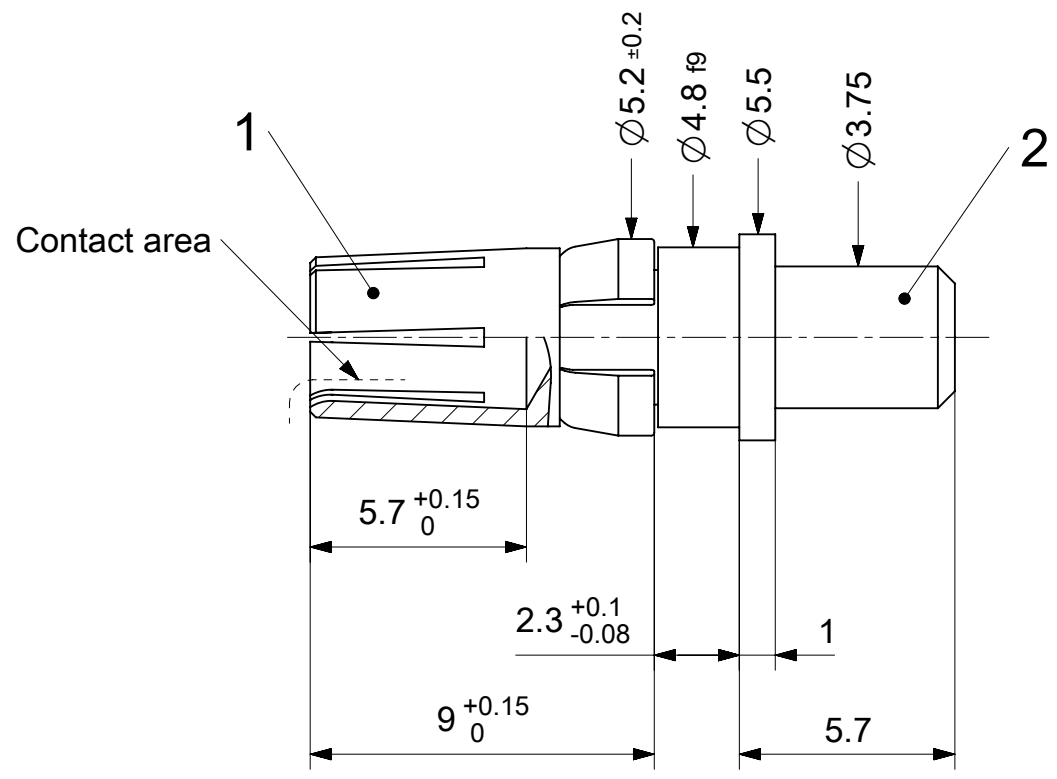


2:1



RoHS compliant
by exemption

1731120396	FMP139S104	104
1731121130	FMP139S105	105
1731120397	FMP139S115	115
1731121291	FMP139S203	203
Material Number	FCT Part Number	Material + Finish See extra sheet

UNLESS OTHERWISE SPECIFIED DIMENSIONS FOR REFERENCE ONLY				REPLACEMENT FOR DOCUMENT NUMBER: FMP139S								
THIS DRAWING CONTAINS INFORMATION THAT IS PROPRIETARY TO MOLEX ELECTRONIC TECHNOLOGIES, LLC AND SHOULD NOT BE USED WITHOUT WRITTEN PERMISSION												
FUNCTIONAL SYMBOLS	DIMENSION UNITS	SCALE	CURRENT REV DESC:									
$\frac{F}{A} = 0$	mm	5:1	EC NO: 686935 DRWN: FVETTER 2021/11/29 CHK'D: MTEUBEL 2021/11/30 APPR: MTEUBEL 2021/11/30									
$\frac{F}{E} = 0$	GENERAL TOLERANCES (UNLESS SPECIFIED)											
$\frac{F}{P} = 0$	ANGULAR TOL ± °											
DIVISIONAL SYMBOLS	4 PLACES	±										
	3 PLACES	±	INITIAL REVISION:									
	2 PLACES	±	DRWN: VLOKESHA 2021/04/07									
	1 PLACE	±	APPR: MTEUBEL 2021/11/25									
	0 PLACES	±	DRAFT WHERE APPLICABLE MUST REMAIN WITHIN DIMENSIONS		FIRST ANGLE PROJECTION	DRAWING	SERIES	MATERIAL NUMBER	CUSTOMER	DOC TYPE	DOC PART	REVISION
						A4-SIZE	173112	SEE TABLE	GENERAL MARKET	PSD	000	A1

molex

FCT 40A HIGH POWER CONTACT
FOR EN 60603-2

PRODUCT CUSTOMER DRAWING

DOCUMENT NUMBER: 1731120396
DOC TYPE: PSD
DOC PART: 000
REVISION: A1

DOCUMENT STATUS	P1	RELEASE DATE	2021/11/30	09:45:36
-----------------	----	--------------	------------	----------