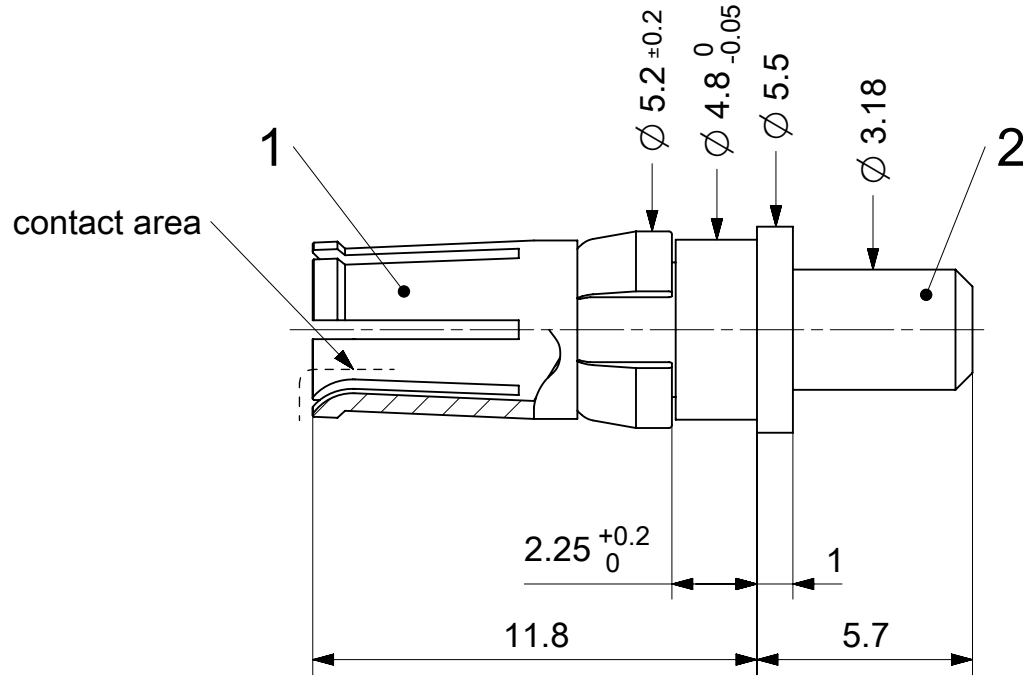


2:1



RoHS compliant
by exemption

1731121224	FMP098S104	104
Material Number	FCT Part Number	Material + Finish See extra sheet

UNLESS OTHERWISE SPECIFIED DIMENSIONS FOR REFERENCE ONLY				REPLACEMENT FOR DOCUMENT NUMBER: FMP098S								
THIS DRAWING CONTAINS INFORMATION THAT IS PROPRIETARY TO MOLEX ELECTRONIC TECHNOLOGIES, LLC AND SHOULD NOT BE USED WITHOUT WRITTEN PERMISSION												
FUNCTIONAL SYMBOLS	DIMENSION UNITS	SCALE	CURRENT REV DESC:									
$\frac{F}{A} = 0$	mm	5:1	EC NO: 686699 DRWN: SKANDB 2021/06/10 CHK'D: MTEUBEL 2021/12/01 APPR: MTEUBEL 2021/12/01									
$\frac{F}{E} = 0$	GENERAL TOLERANCES (UNLESS SPECIFIED)											
$\frac{F}{P} = 0$	ANGULAR TOL \pm °											
DIVISIONAL SYMBOLS	4 PLACES	\pm										
	3 PLACES	\pm	INITIAL REVISION:									
	2 PLACES	\pm	DRWN: SKANDB 2021/06/10									
	1 PLACE	\pm	APPR: MTEUBEL 2021/12/01									
	0 PLACES	\pm	DRAFT WHERE APPLICABLE MUST REMAIN WITHIN DIMENSIONS		FIRST ANGLE PROJECTION	DRAWING	SERIES	MATERIAL NUMBER	CUSTOMER	DOC TYPE	DOC PART	REVISION
						A4-SIZE	173112	SEE TABLE	GENERAL MARKET	PSD	000	A

molex

FCT 30A HIGH POWER CONTACT FOR D-SUB

PRODUCT CUSTOMER DRAWING

DOCUMENT NUMBER: 1731121224

DOC TYPE: PSD

DOC PART: 000

REVISION: A

DOCUMENT STATUS	P1	RELEASE DATE	2021/12/01	08:28:48
-----------------	----	--------------	------------	----------