

5

4

3

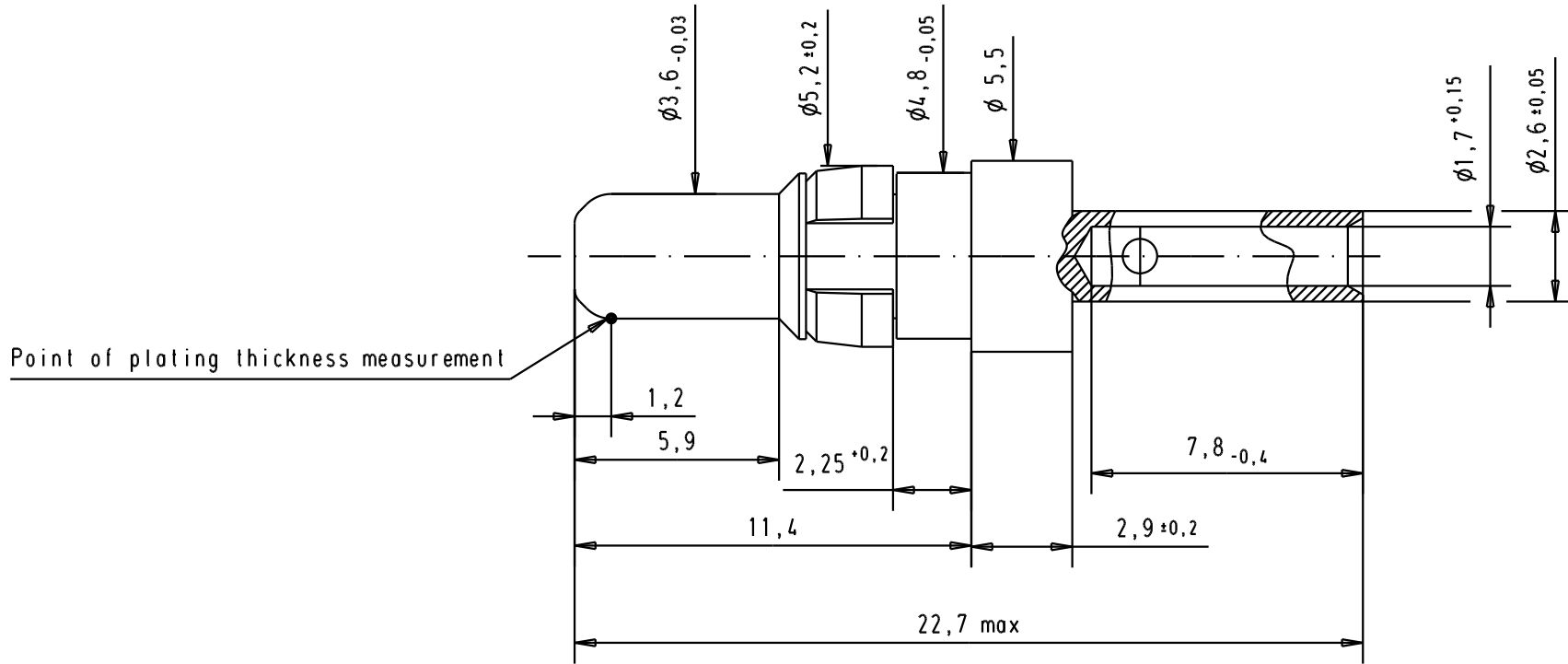
2

1

D



C

B



Crimping tool: 09 99 000 0509
Positioner: 09 99 000 0504

A

						Det.	Name	 All Dim. in mm Orig. Size DIN A 4	Male High power contact, 10A, straight cable termination, crimp for AWG 16-20	Maßstab/ Scale
						14/04/04	JH			
09692827420	Mating area	0,2 µm Au				Insp.				
	Termination area	0,2 µm Au				Stand.				
09692825420	Mating area	0,8 µm Au	32809	21/04/05	AL	HARTING EURL F-95972 Paris			TB 09 69 282 x420	
	Termination area	0,2 µm Au	31887	14/04/04	JH					
Part number	Plating		Mod.	Det.	Name				Blatt / Page 1 / 1	