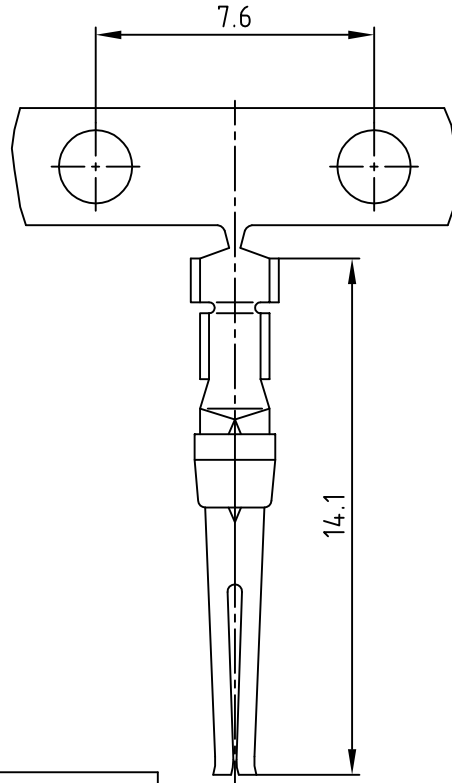
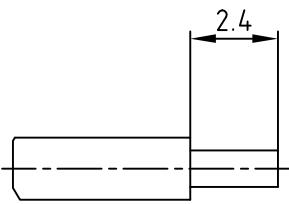


used for: D-SUB



PLATING / CONTACT AREA	PART-NO.
GOLD FLASH over NICKEL	162A11839X
20µm HARD GOLD over min. 50µm NICKEL	162B11839X
30µm HARD GOLD over min. 50µm NICKEL	162C11839X
50µm HARD GOLD over min. 50µm NICKEL	162J11839X

STRIPPING DIMENSIONS



Directive 2002/95/EC RoHS compliant

NOTES:

- Material: Phosphor Bronze
- Finish: See Table
- Temperature Range: -55°C to +125°C
- Rated Current: 7.5A
- Contact Resistance: <= 10mOhm
- Length of Reel - small reel wheeled left: 500 contacts
- Crimping: Use Crimp Tool 360X10069X

THIS DRAWING MAY NOT BE COPIED OR REPRODUCED IN ANY WAY, AND MAY NOT BE PASSED ON TO A THIRD PARTY WITHOUT WRITTEN PERMISSION.
 OWNERSHIP AND COPYRIGHT OF CONEC GmbH
 DO NOT ALTER CAD DRAWING BY HAND

finish: SEE TABLE			tolerance			 dim. in mm		scale: 5:1	
			2014	date	name		material: SEE NOTES		
			drawn	08.04.	Lehmenkühler		title: SOCKET CONTACT CRIMP AWG 24-20 (small reel wheeled left)		
			appd.	08.04.	Fischer				
			norm						
			d-old						
a	Original					dwg no: AutoCAD 2013		DIN-A	
rev.	description	date				name	16K1A3415		4
						part no: SEE TABLE		sh: 1/1	

4

3

2

1