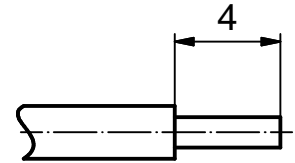


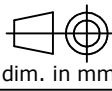

STRIPPING DIMENSION (b)



Part-no. as per finish			
(b) GOLD FLASH over NICKEL (c)	min. 20µm HARD GOLD over min. 50µm NICKEL	min. 30µm HARD GOLD over min. 50µm NICKEL	min. 50µm HARD GOLD over min. 50µm NICKEL
161A18309X	161B18309X	161C18309X	161J18309X

- (b) **NOTES:**
1. Material: Copper alloy
  2. Finish: See table
  3. Temperature range: -55 °C to +125 °C
  4. Rated current: 5 A maximum
  5. Contact resistance: ≤ 10 mOhm
  6. Crimping: Use crimp tool 360X10329X  
With tool insert 360X20069X  
Selector settings: 7 for AWG 24  
6 for AWG 26  
5 for AWG 28

Directive 2002/95/EC RoHS compliant

THIS DRAWING MAY NOT BE COPIED OR REPRODUCED IN ANY WAY, AND MAY NOT BE PASSED ON TO A THIRD PARTY WITHOUT WRITTEN PERMISSION. OWNERSHIP AND COPYRIGHT OF CONEC GmbH	DO NOT ALTER CAD DRAWING BY HAND				tolerance DIN ISO 2768-m	 dim. in mm	scale: 5:1	material: SEE NOTES	
					date	name	title: <b>CRIMP PLUG CONTACT</b> screw machined version accepts cable AWG 28-24		
					drawn 04.06.03	Lehmenkühler			
					appd. 10.06.03	Kühle			
					norm		dwg no: Inventor 10 DIN-A4 sh: 1		
	1 x c	Ä 4116	26.09.11	Lehm.	d-old				
	4 x b	Ä 3698	24.08.10	Lehm.			part no: SEE TABLE		
a	Original								
rev.	description	date	name						