

5

4

3

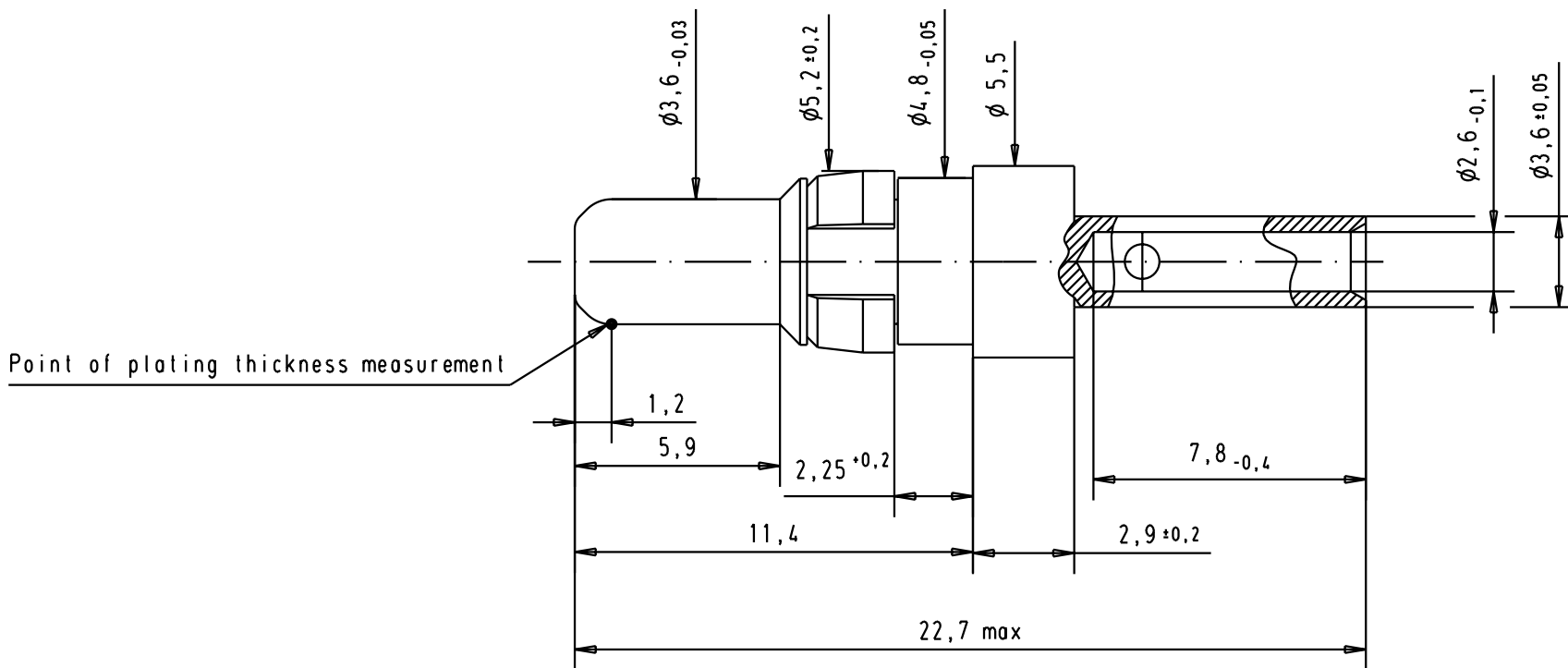
2

1

D

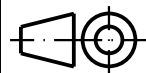
C

B



Crimping tool: 09 99 000 0509
Positioner: 09 99 000 0504

A

						Det.	Name	 All Dim. in mm Orig. Size DIN A 4	Male Hight power contact, 20A straight cable terminaison, crimp for AWG 12-14	Maßstab/ Scale	
09692827421	Mating area	0,2 μm Au				Detail.	21-JUN-02			CV	5:1
	Termination area	0,2 μm Au				Insp.					
09692825421	Mating area	0,8 μm Au				Stand.			TB 09 69 282 x421 Blatt/ Page 1 / 1		
	Termination area	0,2 μm Au	31057	21-JUN-02	CV	HARTING EURL F-95972 Paris					
Part number	Plating		Mod.	Del.	Name				Sub.		