

5

4

3

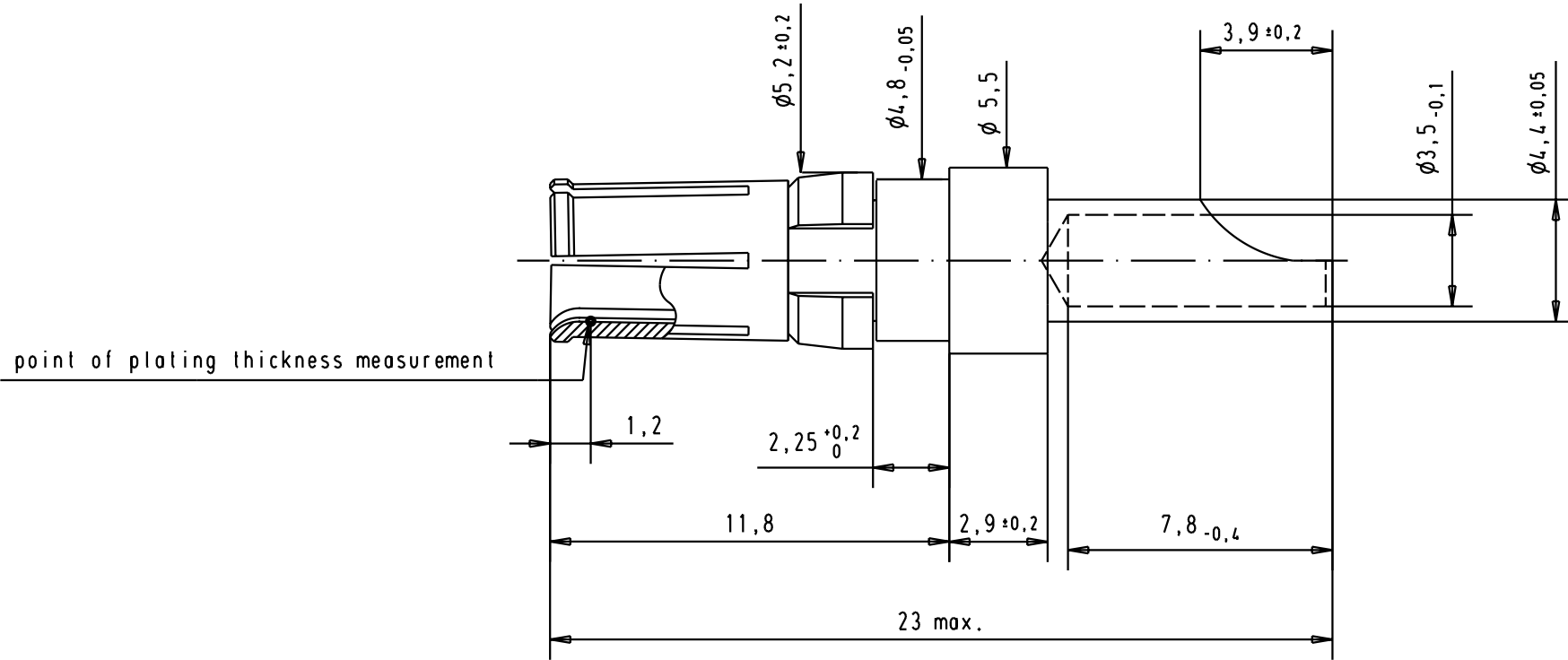
2


1

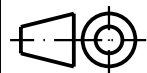
D

C

B



09691817422	Mating area	0,2 $\mu\text{m Au}$											
	Termination area	5 $\mu\text{m Sn}$											
09691815422	Mating area	0,8 $\mu\text{m Au}$											
	Termination area	0,2 $\mu\text{m Au}$	31057	21-JUN-02	CV								
Part number	Plating		Mod.	Dat.	Name	HARTING EURL F-95972 Paris				Sub.		Blatt/ Page 1 / 1	



All Dim. in mm  
Orig. Size DIN A 4

Female High power contact,  
30A, straight cable  
terminaison, solder

Maßstab/  
Scale  
5:1

TB 09 69 181 x422

Blatt/ Page  
1 / 1