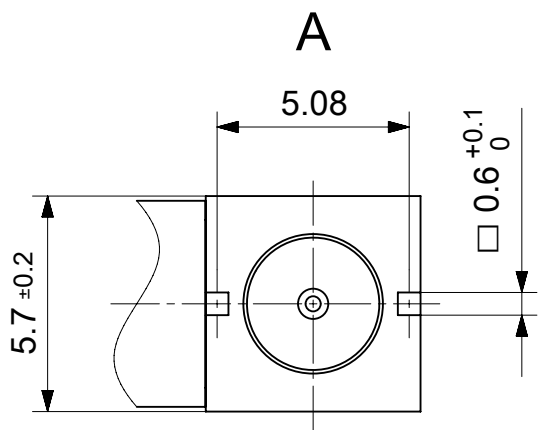
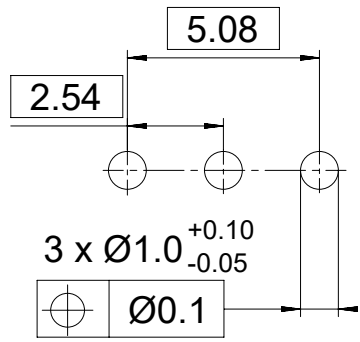


**PCB-Layout**



**RoHS compliant  
by exemption**

1731120824	FME008S101	101
1727040132	FME008S102	102
1731121073	FME008S202	202
Material Number	FCT Part Number	Material + Finish See extra sheet

UNLESS OTHERWISE SPECIFIED DIMENSIONS FOR REFERENCE ONLY				REPLACEMENT FOR DOCUMENT NUMBER: FME008S						
THIS DRAWING CONTAINS INFORMATION THAT IS PROPRIETARY TO MOLEX ELECTRONIC TECHNOLOGIES, LLC AND SHOULD NOT BE USED WITHOUT WRITTEN PERMISSION										
FUNCTIONAL SYMBOLS	DIMENSION UNITS	SCALE	CURRENT REV DESC:							
$\frac{F}{A} = 0$	mm	5:1	EC NO: 710158							
$\frac{F}{E} = 0$	GENERAL TOLERANCES (UNLESS SPECIFIED)		DRWN: VLOKESHA 2021/04/16							
$\frac{F}{P} = 0$	ANGULAR TOL ± °		CHK'D: FVETTER 2022/06/13							
DIVISIONAL SYMBOLS	4 PLACES	±	APPR: FVETTER 2022/06/13							
	3 PLACES	±	INITIAL REVISION:							
	2 PLACES	±	DRWN: VLOKESHA 2021/04/16							
	1 PLACE	±	APPR: FVETTER 2022/06/13							
	0 PLACES	±	DRAFT WHERE APPLICABLE MUST REMAIN WITHIN DIMENSIONS		FIRST ANGLE PROJECTION	DRAWING	SERIES	MATERIAL NUMBER	CUSTOMER	SHEET NUMBER
				A4-SIZE	173112	SEE TABLE	GENERAL MARKET	1 OF 1		

**molex**

FCT 50 OHM COAXIAL CONTACT FOR D-SUB

PRODUCT CUSTOMER DRAWING

DOCUMENT NUMBER	DOC TYPE	DOC PART	REVISION
1731120824	PSD	000	A