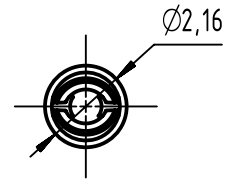
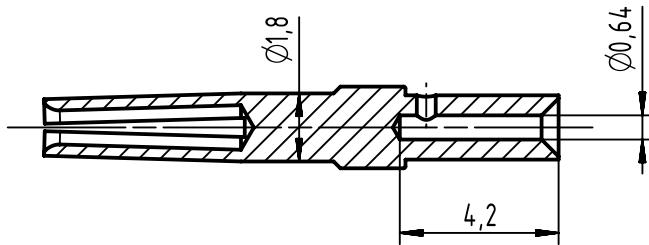


A

A-A

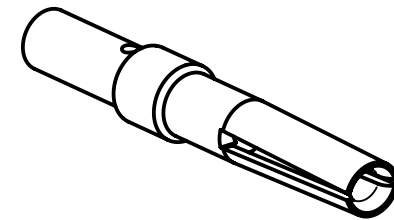
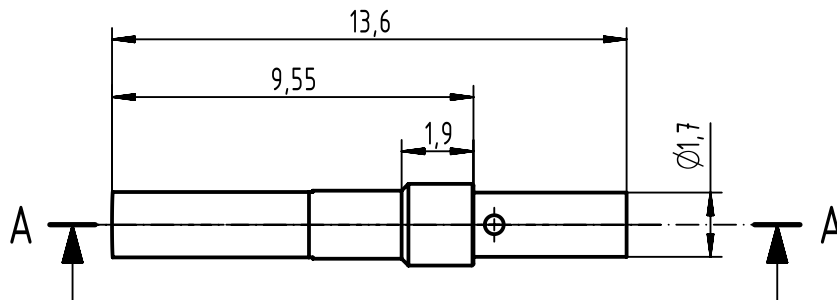


Crimping of AWG 24-28

Hand tool: 09 99 000 0501

Locator: 09 99 000 0531

B



C

D

All Dimensions in mm Original Size DIN A4		Scale 5:1	Free size tol.		Ref.
All rights reserved Department EC PD - CN		Created by ZENGD	Inspected by LUOK	Standardisation HOFFMANN	Date 2015-06-16
HARTING Electronics GmbH D-32339 Espelkamp		Title D-Sub,FE AWG 24-28 crimp cont HMC			State Final Release
09 67 000 7470 580	PL1	5000	Doc-Key / ECM-Nr. 100627022/UGD/000/A 500000090266		
09 67 000 7470	PL1	100	Rev. A		
Part number	Performance level	Bulk packaging	Type TB	Number 09670007470	Page 1/1