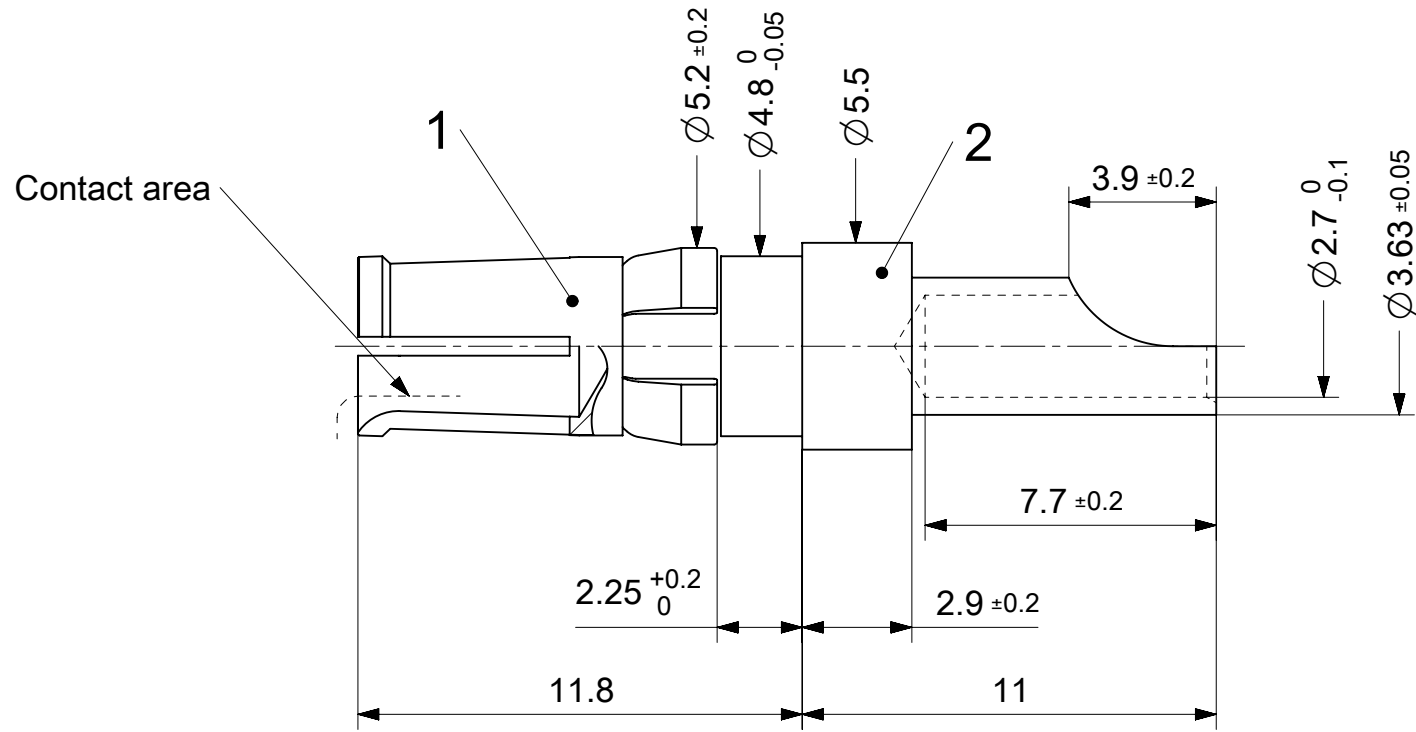


2:1



RoHS compliant  
by exemption

1731121204	FMP006S105B	105
Material Number	FCT Part Number	Material + Finish See extra sheet

UNLESS OTHERWISE SPECIFIED DIMENSIONS FOR REFERENCE ONLY      REPLACEMENT FOR DOCUMENT NUMBER: FMP006S\_B

<b>FUNCTIONAL SYMBOLS</b> $\frac{F}{A} = 0$ $\frac{F}{E} = 0$ $\frac{F}{P} = 0$	THIS DRAWING CONTAINS INFORMATION THAT IS PROPRIETARY TO MOLEX ELECTRONIC TECHNOLOGIES, LLC AND SHOULD NOT BE USED WITHOUT WRITTEN PERMISSION	<b>CURRENT REV DESC:</b> EC NO: 686699 DRWN: VLOKESHA      2021/03/31 CHK'D: MTEUBEL      2021/12/01 APPR: MTEUBEL      2021/12/01									
	DIMENSION UNITS: <b>mm</b> SCALE: <b>5:1</b>							<b>PRODUCT CUSTOMER DRAWING</b>			
	GENERAL TOLERANCES (UNLESS SPECIFIED)	INITIAL REVISION: DRWN: VLOKESHA      2021/03/31 APPR: MTEUBEL      2021/12/01			DOCUMENT NUMBER: <b>1731121204</b>	DOC TYPE: PSD	DOC PART: 000				REVISION: A
	ANGULAR TOL ± °				FIRST ANGLE PROJECTION						MATERIAL NUMBER: SEE TABLE      CUSTOMER: GENERAL MARKET
4 PLACES ±	DRAFT WHERE APPLICABLE MUST REMAIN WITHIN DIMENSIONS		DRAWING: A4-SIZE	SERIES: 173112							
<b>DIVISIONAL SYMBOLS</b>	3 PLACES ±	DRW: VLOKESHA      2021/03/31 APPR: MTEUBEL      2021/12/01		MATERIAL NUMBER: SEE TABLE      CUSTOMER: GENERAL MARKET		SHEET NUMBER: 1 OF 1					
2 PLACES ±	DRW: VLOKESHA      2021/03/31 APPR: MTEUBEL      2021/12/01		MATERIAL NUMBER: SEE TABLE      CUSTOMER: GENERAL MARKET		SHEET NUMBER: 1 OF 1						
1 PLACE ±	DRW: VLOKESHA      2021/03/31 APPR: MTEUBEL      2021/12/01		MATERIAL NUMBER: SEE TABLE      CUSTOMER: GENERAL MARKET		SHEET NUMBER: 1 OF 1						
0 PLACES ±	DRW: VLOKESHA      2021/03/31 APPR: MTEUBEL      2021/12/01		MATERIAL NUMBER: SEE TABLE      CUSTOMER: GENERAL MARKET		SHEET NUMBER: 1 OF 1						

DOCUMENT STATUS	P1	RELEASE DATE	2021/12/01	08:28:29
-----------------	----	--------------	------------	----------