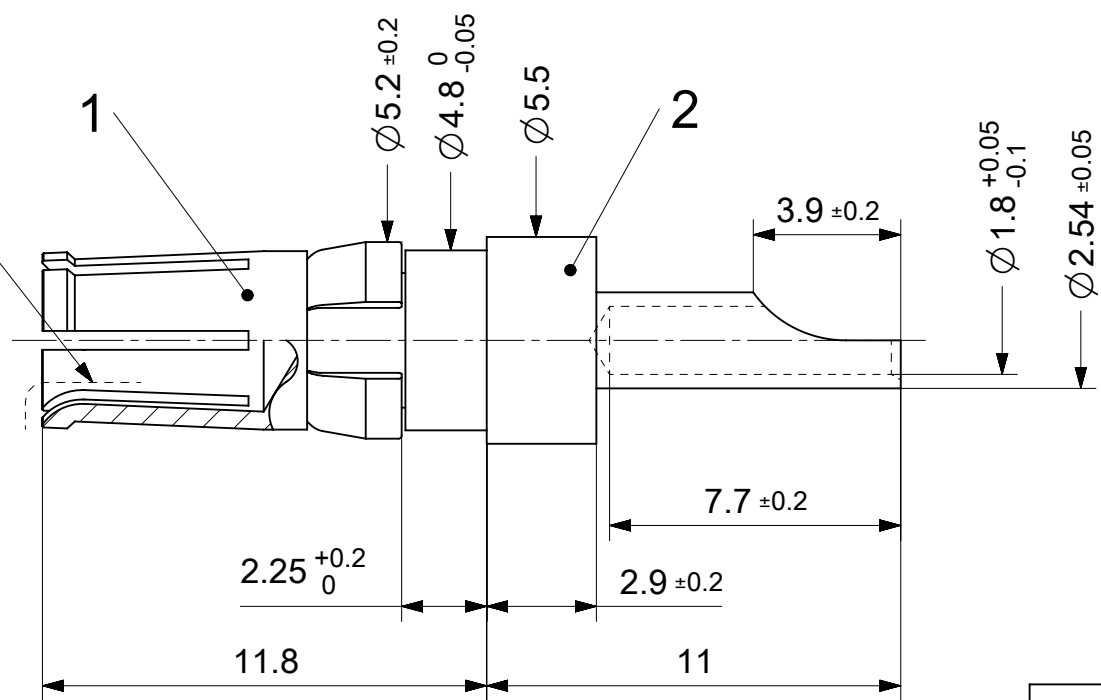


2:1

Contact area



RoHS compliant
by exemption

1727040154	FMP005S103	103
1731120308	FMP005S105	105
1731120039	FMP005S203	203
Material Number	FCT Part Number	Material + Finish See extra sheet

UNLESS OTHERWISE SPECIFIED DIMENSIONS FOR REFERENCE ONLY				REPLACEMENT FOR DOCUMENT NUMBER: FMP005S			
THIS DRAWING CONTAINS INFORMATION THAT IS PROPRIETARY TO MOLEX ELECTRONIC TECHNOLOGIES, LLC AND SHOULD NOT BE USED WITHOUT WRITTEN PERMISSION							
FUNCTIONAL SYMBOLS		DIMENSION UNITS		SCALE		CURRENT REV DESC:	
$\nabla_A = 0$		mm		5:1		<p>EC NO: 686935 DRWN: FVETTER 2021/11/29 CHK'D: MTEUBEL 2021/11/30 APPR: MTEUBEL 2021/11/30</p> <p>INITIAL REVISION: DRWN: VLOKESHA 2021/03/30 APPR: MTEUBEL 2021/11/25</p>	
$\nabla_E = 0$		GENERAL TOLERANCES (UNLESS SPECIFIED)					
$\nabla_P = 0$		ANGULAR TOL ± °					
DIVISIONAL SYMBOLS		4 PLACES		±			
		3 PLACES		±			
		2 PLACES		±			
		1 PLACE		±			
		0 PLACES		±			
DRAFT WHERE APPLICABLE MUST REMAIN WITHIN DIMENSIONS				FIRST ANGLE PROJECTION		DRAWING	
				SERIES		MATERIAL NUMBER	
				A4-SIZE		CUSTOMER	
				172704		SHEET NUMBER	
				SEE TABLE		1 OF 1	
				GENERAL MARKET			

molex

FCT 10A HIGH POWER CONTACT FOR D-SUB

PRODUCT CUSTOMER DRAWING

DOCUMENT NUMBER	DOC TYPE	DOC PART	REVISION
1727040154	PSD	000	A1