

5

4

3

2

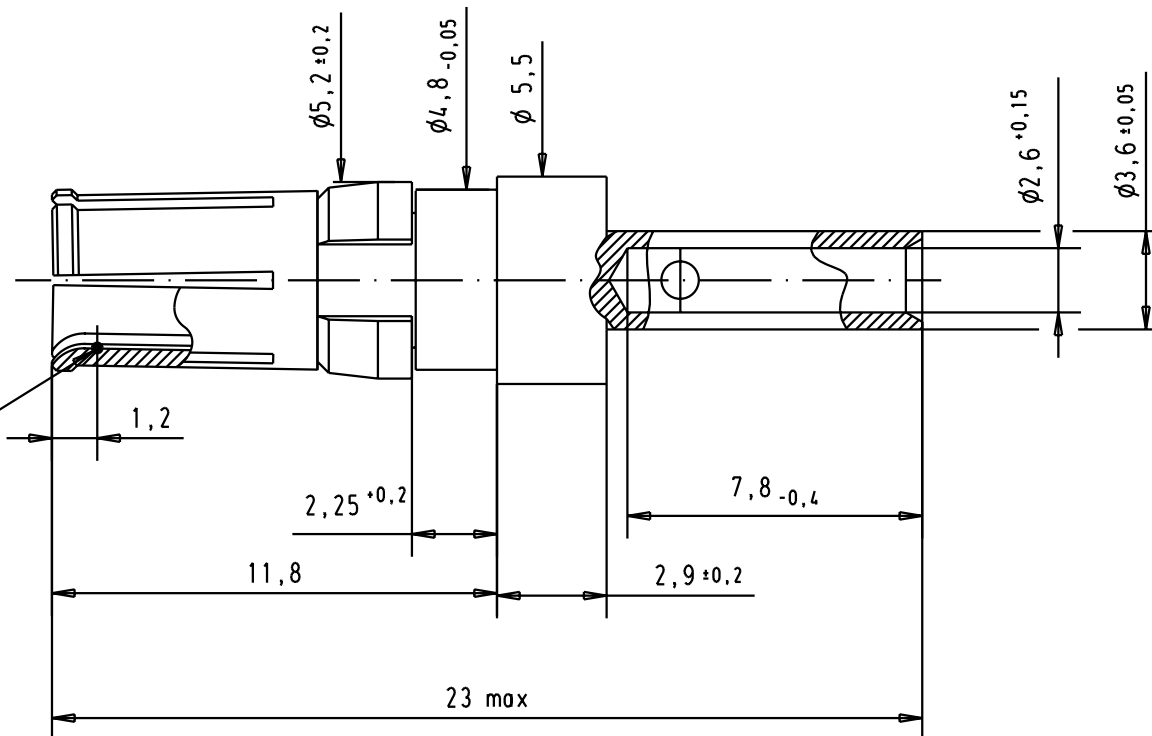
1

D

C



B

Point of plating thickness measurement



Crimping tool: 09 99 000 0509
 positioner: 09 99 000 0504

A

							Dat.	Name	 All Dim. in mm Orig. Size DIN A 4	Female High power contact, 20A, straight cable terminaison, crimp for AWG 12-14	Maßstab/ Scale 5:1
09691827421	Mating area	0,2 μ m Au					Detail.	21-JUN-02	CV		
	Termination area	0,2 μ m Au					Insp.				
09691825421	Mating area	0,8 μ m Au					Stand.				
	Termination area	0,2 μ m Au	31057	21-JUN-02	CV	HARTING EURL F-95972 Paris				TB 09 69 182 x421	Blatt / Page 1 / 1
Part number	Plating		Mod.	Dat.	Name				Sub.		