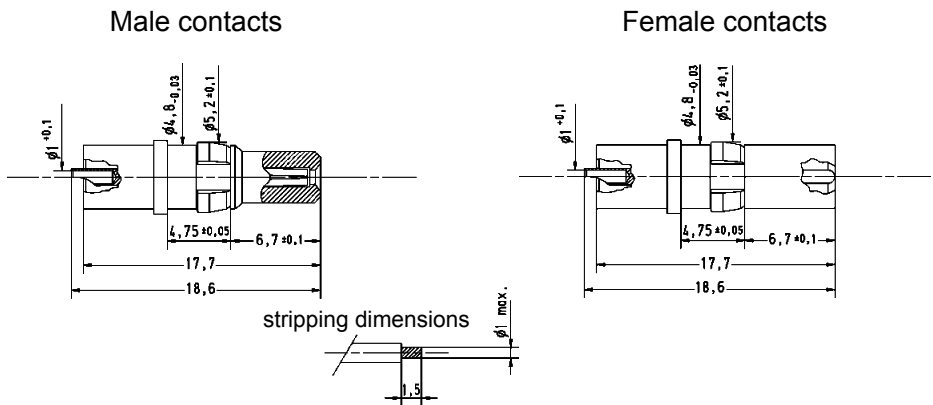


High voltage contacts for cable applications

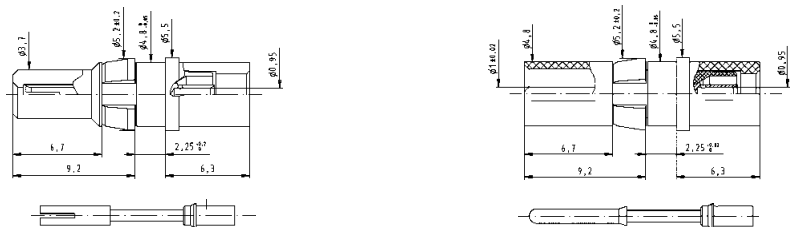
Identification	Wire gauge (mm ²)	Part number	
		Male contacts Plating: 1.3 µm Au ¹⁾	Female contacts Plating: 1.3 µm Au ¹⁾
Straight versions with solder termination	AWG 24 - 20 0.25 - 0.56	09 69 281 2550	09 69 181 2550
	with crimp termination ²⁾	AWG 30 - 24 0.05 - 0.25	09 69 282 2550
Right angled versions with solder termination	AWG 24 - 20 0.25 - 0.56	09 69 681 2550	09 69 581 2550

D-Sub

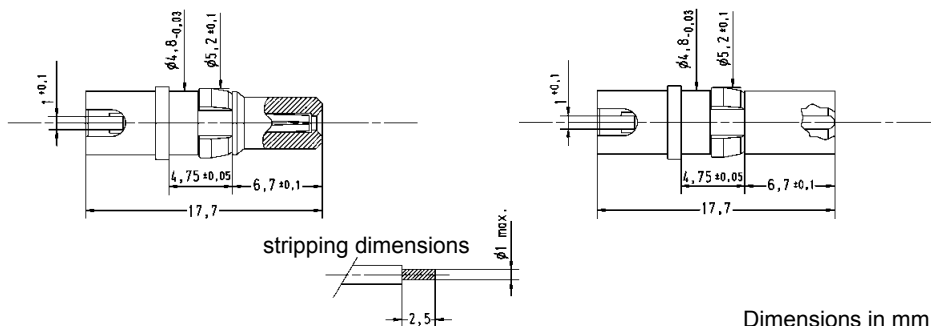
Straight versions
with solder termination



with crimp termination²⁾



Right angled versions
with solder termination



Dimensions in mm

¹⁾ for mating and terminating side
²⁾ Tooling see chapter 20