

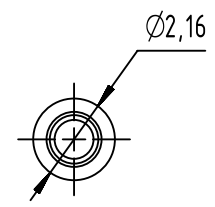
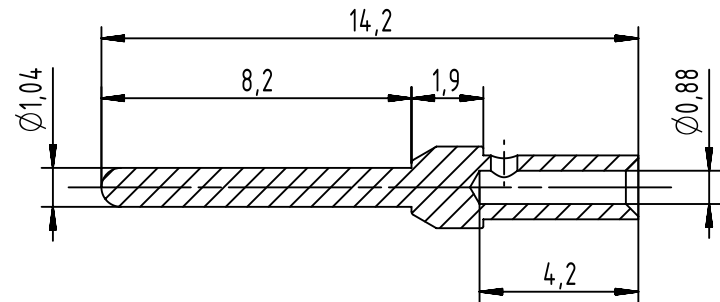
A

B

C

D

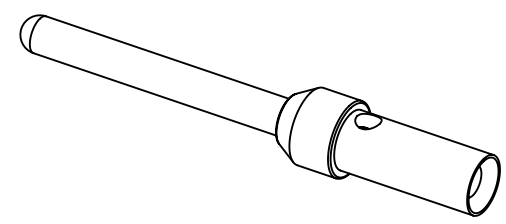
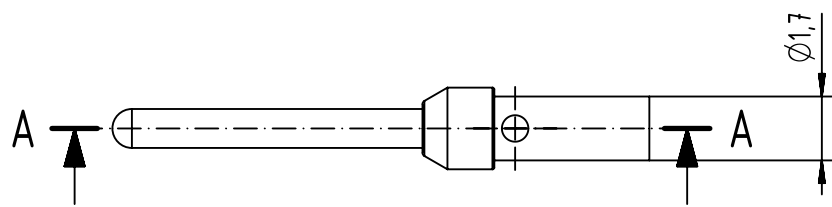
A-A




Crimping AWG 22-26

Hand tool : 09 99 000 0501

Locator: 09 99 000 0531



 All rights reserved Department EC PD - FR HARTING Electronics GmbH D-32339 Espelkamp			All Dimensions in mm Original Size DIN A4	Scale 5:1	Free size tol.	Ref. Sub.	Created by DOUGE	Inspected by DE VANSSAY	Standardisation HOFFMANN	Date 2015-06-09	State Final Release	Doc-Key / ECM-Nr. 100189796/UGD/007/A 500000089005
09 67 000 5570 580	PL1	5000	Title D-Sub, MA AWG 22-26 crimp cont HMC			Rev. A		Page 1/1				
09 67 000 5570	PL1	100	Type TB			Number 09670005570						
Part number	Gold plating (over nickel)	Bulk packaging										